



STUDIO COPY

SINKS + TAPS.

Collection 25

Contents.



INTRODUCTION

02

The finishing touches can make all the difference when it comes to creating your dream kitchen. Upgrade your kitchen with our Sink and Tap collection – where form meets function effortlessly!

CERAMIC SINKS

08

Ceramic sinks are known for their timeless appeal and durability. At home in a period drama but also fantastic in a modern setting, ceramic sinks tick both the aesthetic charm and offer long lasting performance and easy maintenance.



GRANITE SINKS

31

One of nature's most robust materials, granite is a superb choice for a robust and much-used sink. Crafted from a composite material composed of crushed granite stone mixed with acrylic resin and available in an array of stylish colours to match your décor.

STAINLESS STEEL SINKS

40

Stainless Steel sinks offer a practical choice for busy households. They complement various kitchen styles and appliances due to their neutral and modern appearance.



STEAMING HOT WATER TAPS

108

Steaming hot water taps are the perfect blend of form and function, delivering an unparalleled experience of comfort and convenience. Enjoy the luxury of hot water without the hassle of waiting for the kettle to boil or dealing with bulky water heaters. Say goodbye to the waiting game and experience the ultimate in time-saving and energy efficiency. Whether you're brewing a quick cup of tea, preparing instant meals, or simply need hot water on demand, our streaming hot water taps are your go-to solution.

PURITI TAPS

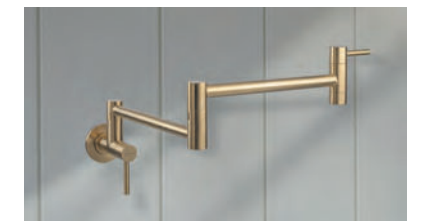
117

With a Caple Puriti filter tap you can have ordinary hot and cold water, as well as purified water from one single fitting. The activated carbon filter removes chlorine, rust and sediment so you can feel better about the water you consume. You might also find it improves the taste!

PULL OUT + SPRAY TAPS

122

Pull out + spray taps operate like single-lever designs, offering standard hot and cold functions. The pull-out tap features a flexible hose for easy movement, while spray taps deliver a powerful, high-pressure spray for efficient washing and rinsing. For ultimate convenience, some taps combine both pull-out and spray features.



POT FILLERS

129

Conveniently installed above your hob, they bring water right where you need it. Available in modern and traditional finishes, they're the perfect blend of function and design.

SINGLE CONTROL TAPS

132

Simplicity itself, with everything controlled by a single lever - move it left and right for temperature, or up and down for pressure.

BRIDGE TAPS

146

A Victorian inspired design characterised by a bridge-like structure connecting the separate hot and cold water inlets.

DUAL CONTROL TAPS

150

With separate levers for hot and cold water, allowing precise control over the water temperature, letting you find your preferred mix of hot and cold water.



Your Home Your Style.

The finishing touches can make all the difference when it comes to creating your dream kitchen. Caple sinks are made in Ceramic, Granite or Stainless Steel and our taps range from the classic to the hi-tech. They bring your kitchen to life by combining practicality with style, whatever your taste or budget.

Whatever kitchen design you've decided on, Caple has the perfect sink and tap to set it off. Making some key decisions now will help you find just the right combination.



UNDERMOUNTED SINKS

Mounted beneath the worktop, which is cut to fit the size of the bowl. A distinctive, fully integrated look available in Ceramic, Granite and Stainless Steel. Taps can be mounted into the worktop behind the sink. Granite, solid surface or wooden worktops are compatible with undermounted sinks.



FARMHOUSE SINKS

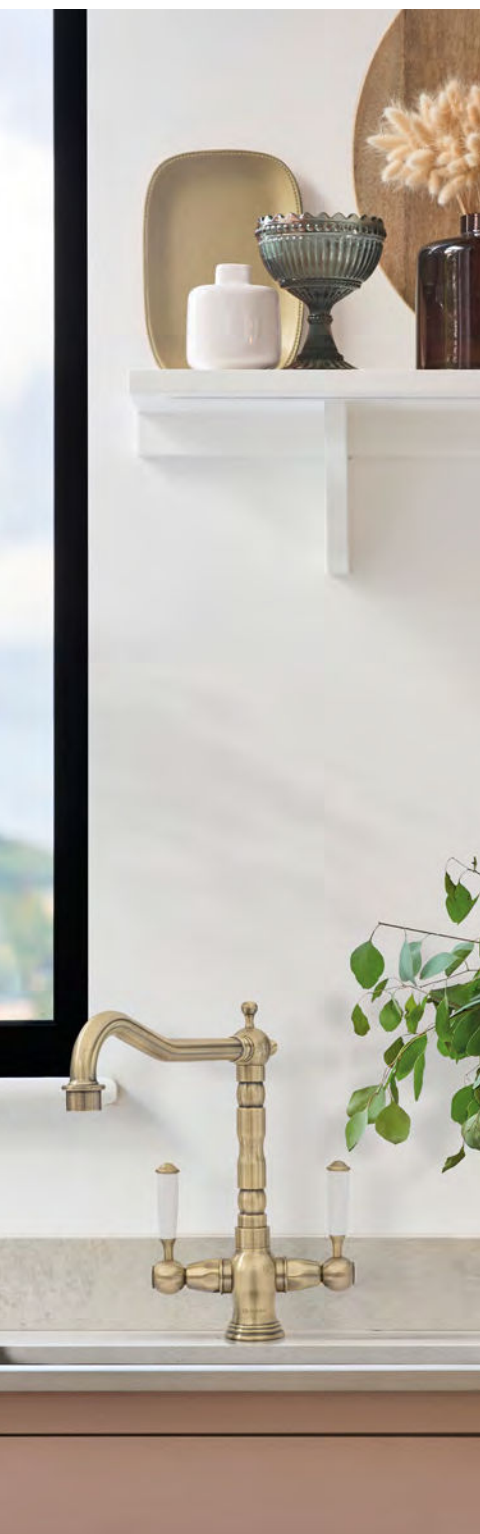
A period Victorian design usually found in a traditional home [not only farmhouse kitchens]. Butler or belfast sink styles are usually ceramic but also available in contemporary granite [see pg 31]. These sinks strike the perfect balance between tradition and modernity. Not to be missed is our CPBS5BK black ceramic sink, a sleek standout in its own right.

Usually mounted into the worktop [Granite, solid surface or wooden], although some sink models allow for them to be fitted to the laminate. They can be installed under the worktop with the front face visible - to accommodate the depth, you'll need a short height cabinet.



INSET SINKS

The feature lip around the sinks edge fits on top of the worktop. With finishes available in Ceramic, Granite and Stainless Steel. Taps are fitted to the sink itself, however, individual bowls may require the tap to be mounted into the worktop. Granite, solid surface, wooden or laminate worktops can be used with inset sinks.



Traditional Tastes.

Often the heart of the home, the traditional kitchen is warm and inviting. With elegant detailing and subtle design elements it has a comforting, old world charm.

AN ABSOLUTE CLASSIC

If your kitchen is traditional or country style, you can't go wrong with a classic ceramic. You can choose from the ever-popular and practical farmhouse style for more subtle and sophisticated designs in many shapes and sizes.

LUXURY ON A BUDGET

Don't have the budget for expensive solid worktops but want a farmhouse style sink? Our latest range of Inset Butler Ceramic sinks have been designed with inset edges for installation into a laminate worktop, which means you get all the benefits of an inset sink without compromising on the traditional.

MODERN TWIST

Although Ceramic sinks are notably traditional in appearance they are also beautifully adaptable. Why not pair a single bowl Belfast with a contemporary single lever spray tap to give a fresh take on a classic look.

SUITABLY SIZED

They don't come more traditional than the generously proportioned sit-on sinks. Or a smooth and sophisticated inset design might be more to your taste. Whichever you choose, Ceramic sinks are hard-wearing and easy to maintain with their smooth, gleaming white glaze.

Modern + Minimal.

The last thing you want from the kitchen you choose today is for it to go out of fashion tomorrow. But smartly designed contemporary styling retains its freshness through clean lines, bold colour and striking aesthetics. Where do you start when choosing a contemporary sink and tap?



STEAMING HOT WATER TAPS

Perfect if you are always on the go, steaming hot water taps supply fresh cold water, regular hot water and filtered 98°C steaming water. Our 4 in 1 taps also offer purified and filtered cold water.

NATURALLY GOOD LOOKING

The practical granite sink has become a style icon. Quite right too, as it offers immense durability and comes in an array of glamorous colours.

PICK AND MIX

In the spirit of modernity, why not combine different shapes and sizes? Mix bowls together to reflect your individuality and add the ultimate designer tap for a real talking point.

PROFESSIONAL PULL-OUTS

Try an industrial look with a pull-out or choose a slim line tap for that fresh, contemporary feel. Modern styling is all about contrasts so you can mix and match to your heart's content.

SINKS

CERAMIC	8
GRANITE	31
STAINLESS STEEL	40
ACCESSORIES	96



LIFETIME GUARANTEE

All Caple sinks have a free lifetime guarantee against manufacturing defects as standard, giving you complete confidence when you buy Caple. Subject to Terms and Conditions.

CERAMIC SINKS

At home in any kitchen, a ceramic sink offers you the simple elegance of a bygone era, yet can look the part in the most contemporary settings.



Farmhouse Sinks.

These time-honoured classics will stand the test of time in today's busy kitchen. Their generous proportions are perfect if you want to make a sizeable design statement.

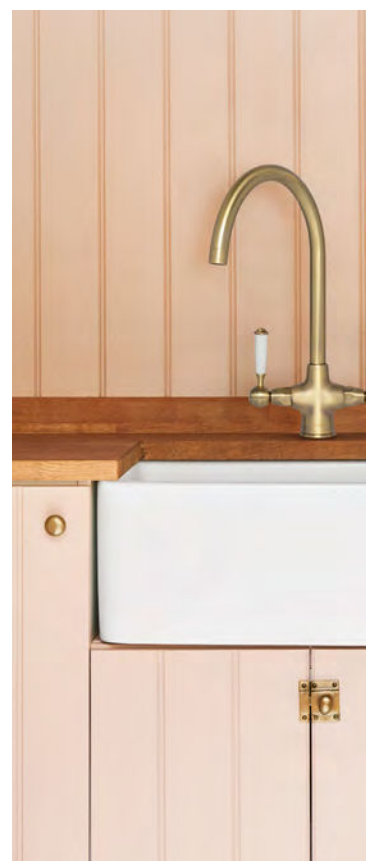
Each sink is hand finished, so no two sinks are ever alike - sizes may vary by plus-or-minus 2%. We recommend measuring the actual sink before fitting.

HYGIENE FINISH

A selection of our handmade Ceramic sinks are specially glazed to reduce surface bacteria by 99.99% preventing germs from spreading. Unlike a thin coating, the anti-bacterial glaze will last the lifetime of the sink and is safe to use in every environment.

MATCHING METALLICS

With our range of metallic wastes and overflows you can match your sink accessories to your chosen tap. Fits any sink with a 90mm waste outlet. Take a look at all the finishes on pg 99.



BELFAST 760



CPBS760 - Sit-on

FEATURES

- No tap facility
- 90mm waste outlet for a basket strainer waste
- Suitable for a waste disposer
- Hygiene finish

Note: waste to be ordered separately

PLUMBING OPTIONS

- Stainless Steel waste BSW/OF/SS3
- Plumbing kit CPK100

DIMENSIONS

- Bowl depth 219mm
- Overall sink depth 255mm
- Min. base unit 800mm

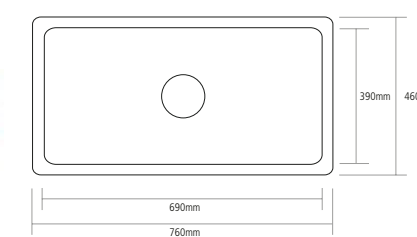
Note: All sink dimensions may vary by plus-or-minus 2%.

ACCESSORY OPTIONS

Universal wooden chopping board
CBB3040



Basket strainer waste decorative cover
CWC2



OPTIONAL EXTRAS

Create a classic style with matching metallics or a mixing for a contemporary twist. With our range of accessories you can achieve the perfect kitchen. To see the full collection go to page 99.

CPK550/AB

Antique Brass 90mm basket strainer waste with square & round overflow



CPK550/GD

Gold 90mm basket strainer waste with square & round overflow



BSW/CO

Copper 90mm basket strainer waste with square & round overflow



Turn over for more coloured waste options

BUTLER 600



BUTLER 800



FARMHOUSE 762



SHAPWICK



CPBS600 - Sit-on

FEATURES

- No tap facility
- 90mm waste outlet for a basket strainer waste
- Suitable for a waste disposer
- Hygiene finish
- Includes Chrome overflow

Note: waste to be ordered separately

PLUMBING OPTIONS

- Stainless Steel waste BSW/OF/SS3
- Plumbing kit CPK100

DIMENSIONS

- Bowl depth 220mm
- Overall sink depth 255mm
- Min. base unit 600mm
- Sink tapers from top to bottom by approx. 4mm

Note: All sink dimensions may vary by plus-or-minus 2%.

ACCESSORY OPTIONS

Universal wooden chopping board
CBB3040

Stainless Steel sink grid
CGRID2

Basket strainer waste decorative cover
CWC2

CPBS800 - Sit-on

FEATURES

- No tap facility
- 90mm waste outlet for a basket strainer waste
- Suitable for a waste disposer
- Hygiene finish
- Includes Chrome overflow

Note: waste to be ordered separately

PLUMBING OPTIONS

- Stainless Steel waste BSW/OF/SS3
- Plumbing kit CPK100

DIMENSIONS

- Bowl depth 229mm
- Overall sink depth 255mm
- Min. base unit 800mm
- Sink tapers from top to bottom by approx. 4mm

Note: All sink dimensions may vary by plus-or-minus 2%.

ACCESSORY OPTIONS

Universal wooden chopping board
CBB3040

Stainless Steel sink grid
CGRID1

Basket strainer waste decorative cover
CWC2

CPWDS762 - Sit-on

FEATURES

- No tap facility
- 90mm waste outlet for a basket strainer waste
- Suitable for a waste disposer
- Hygiene finish
- Includes Chrome overflow

Note: waste to be ordered separately

PLUMBING OPTIONS

- Stainless Steel waste BSW/OF/SS3
- Plumbing kit CPK100

DIMENSIONS

- Bowl depth 254mm
- Overall sink depth 284mm
- Min. base unit 800mm
- Sink tapers by approx. 8mm

Note: All sink dimensions may vary by plus-or-minus 2%.

ACCESSORY OPTIONS

Universal wooden chopping board
CBB3040

Basket strainer waste decorative cover
CWC2

SHAPWICK - Sit-on

FEATURES

- No tap facility
- 90mm waste outlet for a basket strainer waste and overflow
- Not reversible
- Suitable for a waste disposer
- Hygiene finish
- Includes Chrome overflow

Note: waste to be ordered separately

PLUMBING OPTIONS

- Stainless Steel waste BSW/OF/SS3
- Plumbing kit CPK100

DIMENSIONS

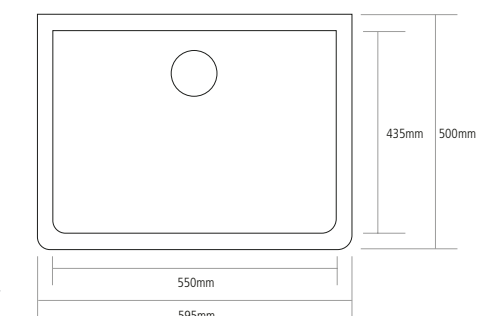
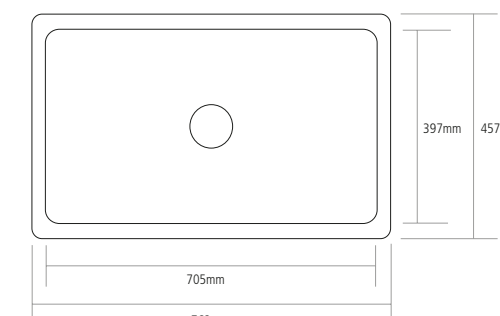
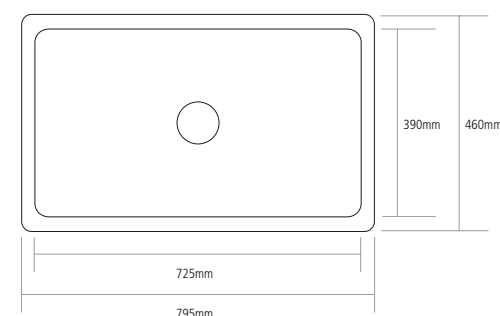
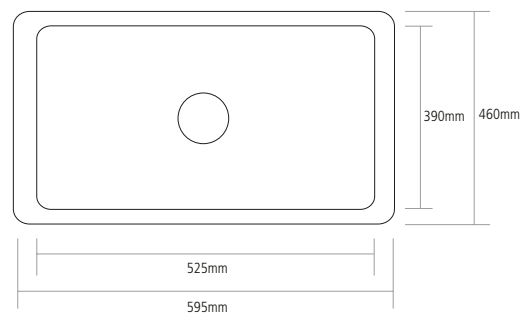
- Bowl depth 170mm
- Overall sink depth 200mm
- Min. base unit 600mm
- Sink tapers from top to bottom by approx. 10mm

Note: All sink dimensions may vary by plus-or-minus 2%.

ACCESSORY OPTIONS

Universal wooden chopping board
CBB3040

Basket strainer waste decorative cover
CWC2



OPTIONAL EXTRAS

Create a classic style with matching metallics or a mixing for a contemporary twist. With our range of accessories you can achieve the perfect kitchen. To see the full collection go to page 99.

CPK550/AB

Antique Brass 90mm basket strainer waste with square & round overflow



CPK550/GD

Gold 90mm basket strainer waste with square & round overflow



BSW/CO

Copper 90mm basket strainer waste with square & round overflow



BSW/BC

Blackened Copper 90mm basket strainer waste with square & round overflow



BSW/GM

Gunmetal 90mm basket strainer waste with square & round overflow



CPK550/BS

Black Steel 90mm basket strainer waste with square & round overflow



YORKSHIRE

PEMBERLEY



YORK2 - Sit-on

PEMBERLEY - Sit-on

FEATURES

- No tap facility
 - 90mm waste outlet for a basket strainer waste
 - Suitable for a waste disposer
- Note: waste to be ordered separately

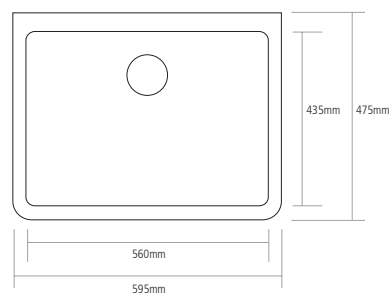
PLUMBING OPTIONS

- Stainless Steel waste and overflow CPK501
- Brushed Steel waste and overflow CPK551
- Plumbing kit CPK100

DIMENSIONS

- Bowl depth 190mm
- Overall sink depth 220mm
- Min. base unit 600mm
- Sink tapers from top to bottom by approx. 5mm

Note: All sink dimensions may vary by plus-or-minus 2%.



ACCESSORY OPTIONS



FEATURES

- No tap facility
- 90mm waste outlet for a basket strainer waste
- Suitable for a waste disposer
- Hygiene finish
- Includes Chrome overflow

Note: waste to be ordered separately

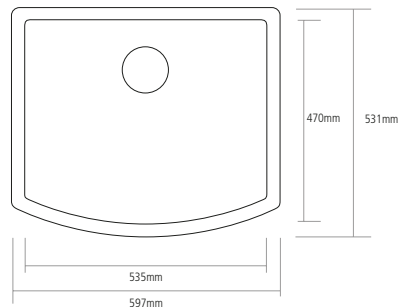
PLUMBING OPTIONS

- Stainless Steel waste BSW/OF/SS3
- Plumbing kit CPK100

DIMENSIONS

- Bowl depth 190mm
- Overall sink depth 220mm
- Min. base unit 600mm

Note: All sink dimensions may vary by plus-or-minus 2%.



MODERN BELFAST

MODERN BELFAST



CPBS4 - Sit-on

CPBS5BK - Sit-on

FEATURES

- Slimline design
- Reversible
- No tap facility
- 90mm waste outlet [Not suitable for BSW/XX metallic wastes]

Note: waste to be ordered separately

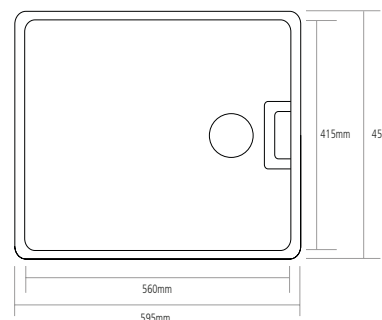
PLUMBING OPTIONS

- Stainless Steel waste BSW/OF/SS3
- Plumbing kit CPK100

DIMENSIONS

- Bowl depth 205mm
- Overall sink depth 250mm
- Min. base unit 600mm
- Sink tapers from top to bottom by approx. 5mm

Note: All sink dimensions may vary by plus-or-minus 2%.



ACCESSORY OPTIONS



FEATURES

- Matt black finish
- Slimline design
- Reversible
- No tap facility
- 60mm waste outlet

Note: waste to be ordered separately

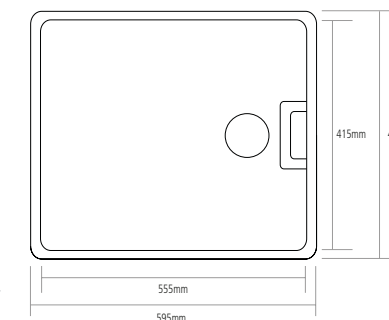
PLUMBING OPTIONS

- Stainless Steel basket strainer waste CAP/BSW/SS
- Stainless Steel waste CAP/PW/SS3
- Plumbing kit CPK100

DIMENSIONS

- Bowl depth 218mm
- Overall sink depth 250mm
- Min. base unit 600mm
- Sink tapers from top to bottom by approx. 7mm

Note: All sink dimensions may vary by plus-or-minus 2%.



OPTIONAL EXTRAS

Create a classic style with matching metallics or a mixing for a contemporary twist. With our range of accessories you can achieve the perfect kitchen. To see the full collection go to page 99.

CPK550/AB

Antique Brass 90mm basket strainer waste with square & round overflow



CPK550/GD

Gold 90mm basket strainer waste with square & round overflow



BSW/CO

Copper 90mm basket strainer waste with square & round overflow



BSW/BC

Blackened Copper 90mm basket strainer waste with square & round overflow



BSW/GM

Gunmetal 90mm basket strainer waste with square & round overflow



CPK550/BS

Black Steel 90mm basket strainer waste with square & round overflow



BLAGDON



HAMILTON

CHEPSTOW



KEMPTON



BLAGDON - Sit-on

FEATURES

- No tap facility
- 2x 90mm waste outlet for a basket strainer waste
- Chrome overflow included
- Hygiene finish
- Suitable for a waste disposer

Note: waste to be ordered separately

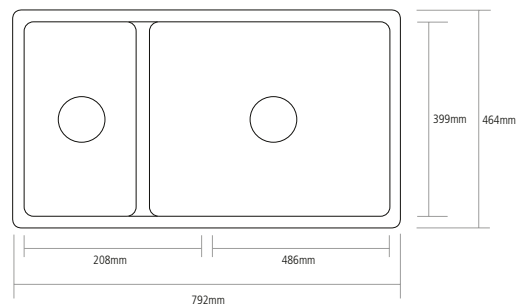
PLUMBING OPTIONS

- Stainless Steel waste kit BSW/OF/SS3 [x2]
- Plumbing kit CPK200

DIMENSIONS

- Bowl depth 202mm
- Overall sink depth 229mm
- Min. base unit 800mm
- Sink tapers from top to bottom by approx. 8mm

Note: All sink dimensions may vary by plus-or-minus 2%.



HAMILTON - Sit-on

FEATURES

- No tap facility
- 2x 90mm waste outlet for a basket strainer waste
- Suitable for a waste disposer

Note: waste to be ordered separately

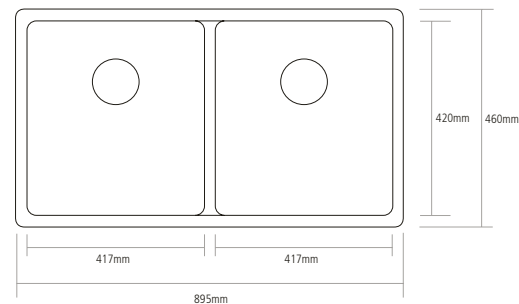
PLUMBING OPTIONS

- Stainless Steel waste kit and overflow [CPK501 x2]
- Brushed Steel finish basket strainer [CPK551 x2]
- Plumbing kit CPK200

DIMENSIONS

- Bowl depth 194mm
- Overall sink depth 220mm
- Min. base unit 900mm

Note: All sink dimensions may vary by plus-or-minus 2%.



ACCESSORY OPTIONS

Universal wooden chopping board
CBB3040

Stainless Steel sink grid
CGRID16

Basket strainer waste decorative cover
CWC2

CHEPSTOW2 - Sit-on

FEATURES

- 1 semi-punched tap hole
- 2x 90mm waste outlets for basket strainer wastes
- Suitable for a waste disposer

Note: waste to be ordered separately

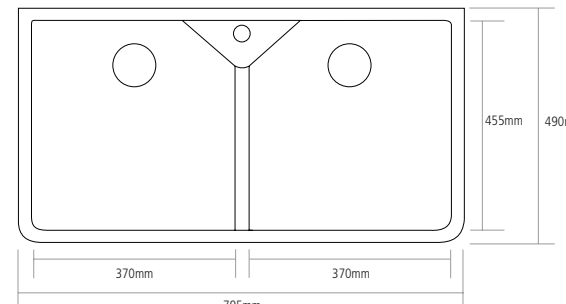
PLUMBING OPTION

- Stainless Steel waste and overflow CPK501 [x2]
- Plumbing kit CPK200

DIMENSIONS

- Bowl depth 190mm
- Overall sink depth 220mm
- Min. base unit 800mm
- Sink tapers from top to bottom by approx. 5mm

Note: All sink dimensions may vary by plus-or-minus 2%.



ACCESSORY OPTIONS

Universal wooden chopping board
CBB3040

Basket strainer waste decorative cover
CWC2

KEMPTON - Sit-on

FEATURES

- No tap facility
- 2x 90mm waste outlets for a basket strainer wastes
- Suitable for a waste disposer
- Hygiene finish
- Includes Chrome overflows

Note: waste to be ordered separately

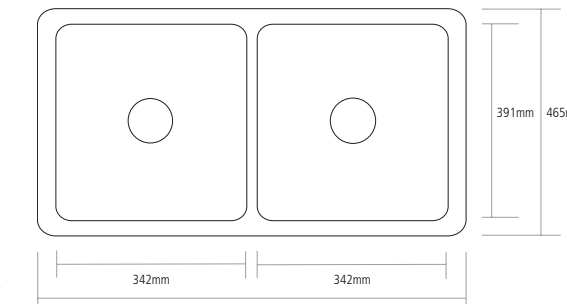
PLUMBING OPTIONS

- Stainless Steel waste BSW/OF/SS3 [x2]
- Plumbing kit CPK200

DIMENSIONS

- Bowl depth 191mm
- Overall sink depth 229mm
- Min. base unit 800mm
- Sink tapers from top to bottom by approx. 4mm

Note: All sink dimensions may vary by plus-or-minus 2%.



OPTIONAL EXTRAS

Create a classic style with matching metallics or a mixing for a contemporary twist. With our range of accessories you can achieve the perfect kitchen. To see the full collection go to page 99.

CPK550/AB

Antique Brass 90mm basket strainer waste with square & round overflow



CPK550/GD

Gold 90mm basket strainer waste with square & round overflow



BSW/CO

Copper 90mm basket strainer waste with square & round overflow



BSW/BC

Blackened Copper 90mm basket strainer waste with square & round overflow



BSW/GM

Gunmetal 90mm basket strainer waste with square & round overflow



CPK550/BS

Black Steel 90mm basket strainer waste with square & round overflow





Inset Butler.

These beautiful ceramic sinks are the perfect solution to attaining a luxurious farmhouse aesthetic without the price tag.

GOODBYE EXPENSIVE SOLID WORKTOPS

Don't have the budget for expensive solid worktops but want a farmhouse style sink?

These inset butler sinks have been designed with inset edges for installation into a laminate worktop, which means you get all the benefits of an inset sink without compromising on the traditional farmhouse look.

Look out for the icon below on relevant sinks.



EASY INSTALLATION

At Caple, we design with you in mind. That's why we have created these models to be installed in a standard base unit.

CINB800 INSET BUTLER



CINB600 INSET BUTLER



CINB800 - Inset Butler

FEATURES

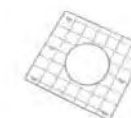
- Suitable for installation into laminate worktops [page 18 for more information]
 - Fits into a standard base unit
 - No tap facility
 - 2x 90mm waste outlets for basket strainer wastes
 - Suitable for a waste disposer
- Note: waste to be ordered separately

PLUMBING OPTIONS

- Stainless Steel waste and overflow CPK501 [x2]
- Plumbing kit CPK200

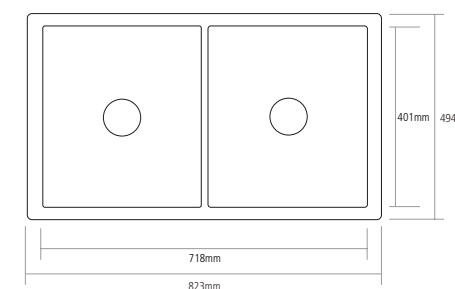
ACCESSORY OPTIONS

Stainless Steel sink grid
CGRID9

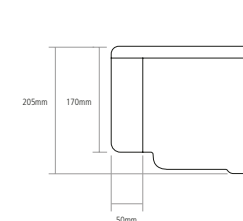


DIMENSIONS

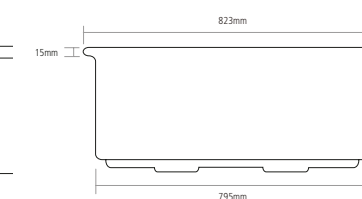
- Front face height 170mm
 - Bowl depth 180mm
 - Overall sink depth 205mm
 - Min. base unit 800mm
- Note: All sink dimensions may vary by plus-or-minus 2%.



SIDE VIEW



FRONT VIEW



CINB600 - Inset Butler

FEATURES

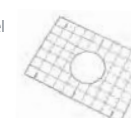
- Suitable for installation into laminate worktops [page 18 for more information]
 - Fits into a standard base unit
 - No tap facility
 - 90mm waste outlets for a basket strainer waste
 - Suitable for a waste disposer
- Note: waste to be ordered separately

PLUMBING OPTIONS

- Stainless Steel waste and overflow CPK501
- Plumbing kit CPK100

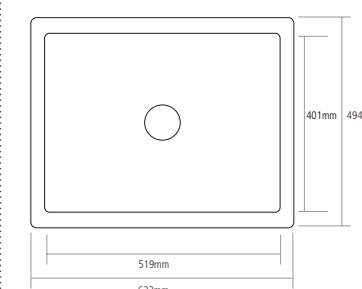
ACCESSORY OPTIONS

Stainless Steel sink grid
CGRID8

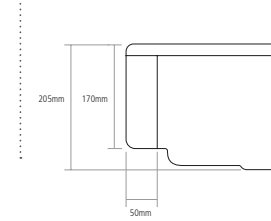


DIMENSIONS

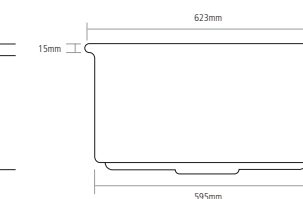
- Front face height 170mm
 - Bowl depth 185mm
 - Overall sink depth 205mm
 - Min. base unit 600mm
- Note: All sink dimensions may vary by plus-or-minus 2%.



SIDE VIEW



FRONT VIEW



OPTIONAL EXTRAS

Create a classic style with matching metallics or a mixing for a contemporary twist. With our range of accessories you can achieve the perfect kitchen. To see the full collection go to page 99.

CPK550/AB

Antique Brass 90mm basket strainer waste with square & round overflow



CPK550/GD

Gold 90mm basket strainer waste with square & round overflow



BSW/CO

Copper 90mm basket strainer waste with square & round overflow





LINGFIELD



LINGFIELD - Inset Butler

FEATURES

- Suitable for installation into laminate worktops [page 18 for more information]
- No tap facility
- 90mm waste outlet for a basket strainer waste
- Chrome overflow kit included
- Suitable for a waste disposer
- Hygiene finish
- Sides and back with inset lip and exposed front

Note: waste to be ordered separately

PLUMBING OPTIONS

- Stainless Steel waste kit BSW/OF/SS3
- Plumbing kit CPK100

DIMENSIONS

- Bowl depth 275mm
- Overall sink depth 305mm
- Min. base unit 600mm

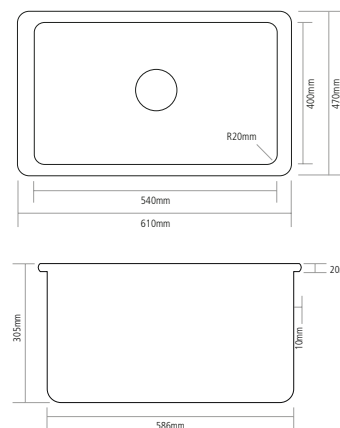
Note: All sink dimensions may vary by plus-or-minus 2%.

ACCESSORY OPTIONS

Universal wooden chopping board
CBB3040

Stainless Steel sink grid
CGRID2

Basket strainer waste decorative cover x 2
CWC2



OPTIONAL EXTRAS

Create a classic style with matching metallics or a mixing for a contemporary twist. With our range of accessories you can achieve the perfect kitchen. To see the full collection go to page 99.

BSW/CO

Copper 90mm basket strainer waste with square & round overflow



BSW/BC

Blackened Copper 90mm basket strainer waste with square & round overflow



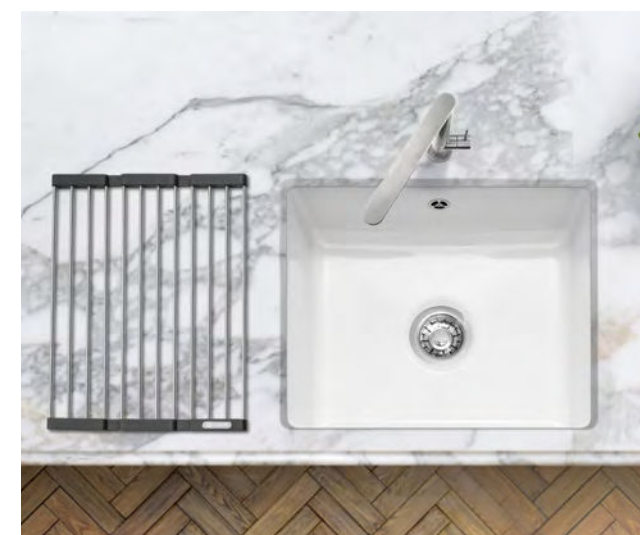
BSW/GM

Gunmetal 90mm basket strainer waste with square & round overflow



Undermounted + Inset Sinks.

Choose from inset or undermounted Ceramic sinks to make a distinctive style statement. A classic yet contemporary look that exudes elegance and fits easily into many different styles of kitchen.



UNDERSTATED STYLE

Fully integrated beneath the worktop, undermounted sinks give a very distinctive look to your kitchen. Used with granite, solid surface or wood worktops.



KEEP ON TOP OF IT

With their gently raised lip and smooth lines, inset sinks blend subtly and discreetly onto your worktop surface. Available in many shapes and sizes, this versatile style drops seamlessly into any kitchen.

FRISKA



ETTRA 150



FRI151 - Undermount and inset

FEATURES

- Not reversible
- No tap facility
- Overflow included
- 2x 90mm waste outlets for basket strainer wastes
- Suitable for a waste disposer

Note: waste to be ordered separately

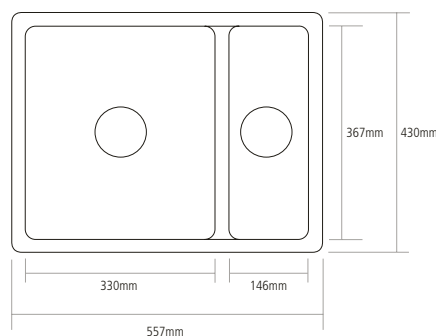
PLUMBING OPTIONS

- Stainless Steel waste BSW/OF/SS3 [x2 required]
- Brushed Steel waste and overflow CPK551 [x2 required]
- Plumbing kit CPK200

DIMENSIONS

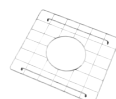
- Main bowl depth 189mm
- Small bowl depth 189mm
- Overall sink depth 220mm
- Min. base unit 600mm
- Cut-out size 535 x 408mm

Note: All sink dimensions may vary by plus-or-minus 2%.



ACCESSORY OPTIONS

Stainless Steel sink grid
CGRID19



Universal wooden chopping board
CBB3040



Basket strainer waste decorative cover [main bowl only]
CWC2



FITTING OPTIONS



Inset



Undermounted

ETT150U - Undermount

FEATURES

- Not reversible
- No tap facility
- 90mm and 65mm waste outlets for basket strainer wastes
- Suitable for a waste disposer

Note: waste to be ordered separately

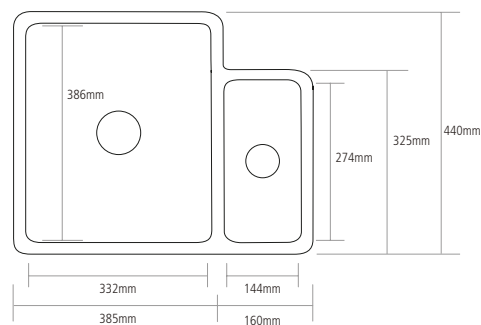
PLUMBING OPTIONS

- Stainless Steel waste and bowl connection kit CPK1101
- Plumbing kit CPK100

DIMENSIONS

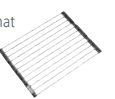
- Main bowl depth 176mm
- Small bowl depth 120mm
- Overall sink depth 200mm
- Min. base unit 600mm

Note: All sink dimensions may vary by plus-or-minus 2%.



ACCESSORY OPTIONS

Stainless Steel foldmat
FMAT/SS



Universal wooden chopping board
CBB3040



Chrome sink grid
CGRID6



Chrome basket
CSB3CH



Chrome basket
CMBB31CH



Basket strainer waste decorative cover [main bowl only]
CWC2



ASHFORD 150



ASH15W - Inset with Drainer

FEATURES

- Reversible
- Overflow will be at the front if LH drainer
- 4 Semi-punched tap holes
- 2x 90mm waste outlets for a basket strainer wastes
- Suitable for a waste disposer

Note: waste to be ordered separately

PLUMBING OPTIONS

- Stainless Steel waste, bowl connection kit and overflow CPK801
- Plumbing kit CPK100

DIMENSIONS

- Main bowl depth 180mm
- Small bowl depth 110mm
- Overall sink depth 210mm
- Min. base unit 600mm
- Cut-out size 970 x 470mm

Note: All sink dimensions may vary by plus-or-minus 2%.

ACCESSORY OPTIONS

Universal wooden chopping board
CBB3040



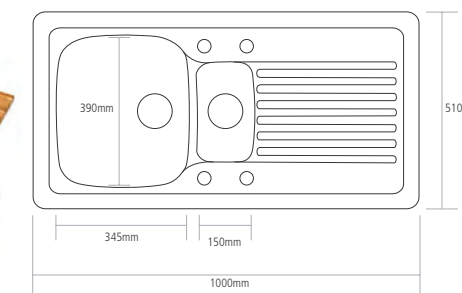
Chrome basket
CMBB13CH



Chrome small bowl basket
CSB1CH



Basket strainer waste decorative cover x 2
CWC2



OPTIONAL EXTRAS

Create a classic style with matching metallics or a mixing for a contemporary twist. With our range of accessories you can achieve the perfect kitchen. To see the full collection go to page 99 BSW/XX only suited for FRI151 and ASH15W.

CPK550/AB

Antique Brass 90mm basket strainer waste with square & round overflow



CPK550/GD

Gold 90mm basket strainer waste with square & round overflow



BSW/CO

Copper 90mm basket strainer waste with square & round overflow



BSW/BC

Blackened Copper 90mm basket strainer waste with square & round overflow



BSW/GM

Gunmetal 90mm basket strainer waste with square & round overflow



CPK550/BS

Black Steel 90mm basket strainer waste with square & round overflow



FOXBORO 100

FOXBORO 150



FOX100 - Inset with Drainer

FOX150 - Inset with Drainer

FEATURES

- Reversible
 - 2x Semi-punched tap holes
 - 90mm waste outlet for a basket strainer waste
 - Suitable for a waste disposer
- Note: waste to be ordered separately

PLUMBING OPTIONS

- Stainless Steel waste and overflow CPK501
- Plumbing kit CPK100

DIMENSIONS

- Bowl depth 185mm
- Overall sink depth 210mm
- Min. base unit* 600mm
- Cut-out size 970 x 470mm

Note: All sink dimensions may vary by plus-or-minus 2%.

*Carcass may need to be adapted to accommodate tap tails if using a 600mm carcass.

ACCESSORY OPTIONS



FEATURES

- Reversible
 - 2x Semi-punched tap holes
 - 2x 90mm waste outlets for a basket strainer wastes
 - Suitable for a waste disposer
- Note: waste to be ordered separately

PLUMBING OPTIONS

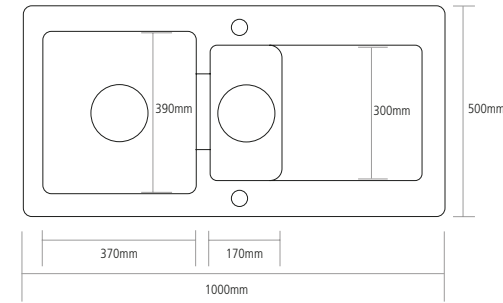
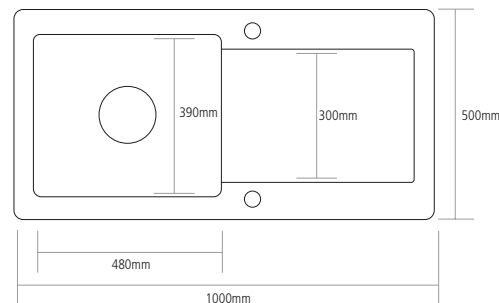
- Stainless Steel waste kit and overflow CPK2701
- Plumbing kit CPK200

DIMENSIONS

- Main bowl depth 185mm
- Small bowl depth 120mm
- Overall sink depth 210mm
- Min. base unit 800mm
- Cut-out size 970 x 470mm

Note: All sink dimensions may vary by plus-or-minus 2%.

ACCESSORY OPTIONS



PALADIN 150



PALADIN 760



PAL150 - Inset or Undermount

PAL760 - Inset or Undermount

FEATURES

- Not reversible
 - No tap facility
 - 2x 90mm waste outlet for a basket strainer waste
 - Suitable for a waste disposer
 - Hygiene finish
- Note: waste to be ordered separately

PLUMBING OPTIONS

- Stainless Steel waste and bowl connection kit CPK801
- Plumbing kit CPK100

DIMENSIONS

- Bowl depth 200mm
- Overall sink depth 225mm
- Min. base unit 600mm

Note: All sink dimensions may vary by plus-or-minus 2%.

ACCESSORY OPTIONS



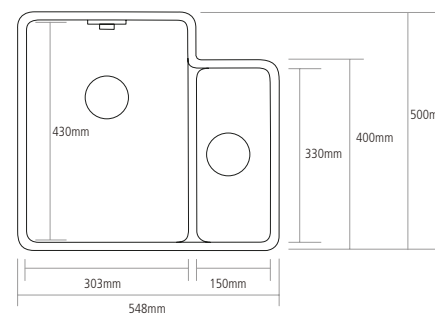
FITTING OPTIONS



Inset



Undermounted



FEATURES

- Not reversible
 - No tap facility
 - 2x 90mm waste outlets for a basket strainer wastes
 - Suitable for a waste disposer
 - Hygiene finish
- Note: waste to be ordered separately

PLUMBING OPTIONS

- Stainless Steel waste kit with overflow CPK2701
- Plumbing kit CPK200

DIMENSIONS

- Bowl depth 195mm
- Overall sink depth 225mm
- Min. base unit 800mm

Note: All sink dimensions may vary by plus-or-minus 2%.

ACCESSORY OPTIONS



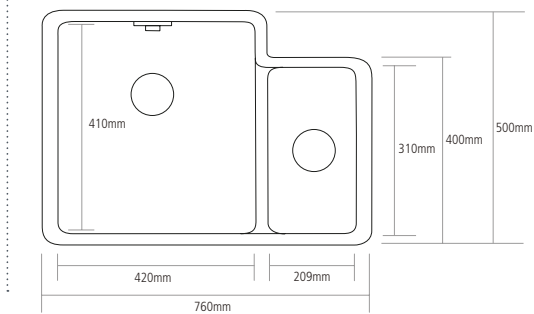
FITTING OPTIONS



Inset



Undermounted



OPTIONAL EXTRAS

Create a classic style with matching metallics or a mixing for a contemporary twist. With our range of accessories you can achieve the perfect kitchen. To see the full collection go to page 99.

CPK550/AB

Antique Brass 90mm basket strainer waste with square & round overflow



CPK550/GD

Gold 90mm basket strainer waste with square & round overflow



BSW/CO

Copper 90mm basket strainer waste with square & round overflow



BSW/BC

Blackened Copper 90mm basket strainer waste with square & round overflow



BSW/GM

Gunmetal 90mm basket strainer waste with square & round overflow



CPK550/BS

Black Steel 90mm basket strainer waste with square & round overflow



WILTSHIRE 100



WILTSHIRE 150



WIL100 - Inset with Drainer

FEATURES

- Reversible
- 2x Semi-punched tap holes
- 90mm waste outlet for a basket strainer waste
- Suitable for a waste disposer

Note: waste to be ordered separately

PLUMBING OPTIONS

- Stainless Steel waste and overflow CPK501
- Plumbing kit CPK100

DIMENSIONS

- Bowl depth 190mm
- Overall sink depth 225mm
- Min. base unit* 600mm
- Cut-out size 980 x 495mm

Note: All sink dimensions may vary by plus-or-minus 2%.

*Carcase may need to be adapted to accommodate tap tails if using a 600mm carcass

ACCESSORY OPTIONS

Universal wooden chopping board
CBB3040

Chrome basket
CMBB11CH

Basket strainer waste decorative cover
CWC2

WIL150 - Inset with Drainer

FEATURES

- Reversible
- 2x Semi-punched tap holes
- 2x 90mm waste outlets for basket strainer wastes
- Suitable for a waste disposer

Note: waste to be ordered separately

PLUMBING OPTIONS

- Stainless Steel waste kit and overflow CPK2701
- Plumbing kit CPK200

DIMENSIONS

- Main bowl depth 180mm
- Small bowl depth 110mm
- Overall sink depth 223mm
- Min. base unit 600mm
- Cut-out size 980 x 495mm

Note: All sink dimensions may vary by plus-or-minus 2%.

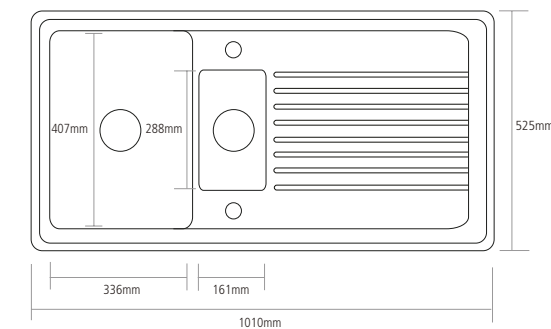
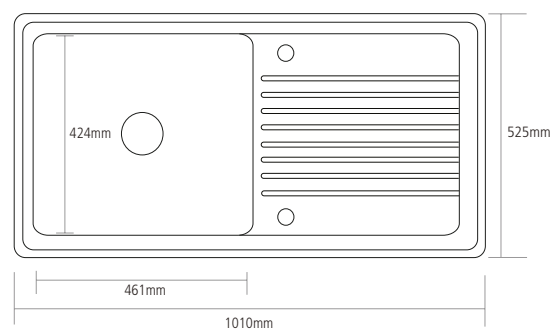
ACCESSORY OPTIONS

Universal wooden chopping board
CBB3040

Chrome basket
CMBB10CH

Chrome small basket
CSB1CH

Basket strainer waste decorative cover x 2
CWC2



Individual Bowls.

Round, square, rectangular, there's a shape and size to complement your kitchen perfectly. Or pair two bowls of your choice for a unique style.

Our elegantly proportioned individual Ceramic bowls are more than just practical and hard wearing. They give you complete design flexibility, so you can choose the size, shape and number of bowls to suit your lifestyle.

For a clean and classic look, try our traditional round bowl. For something chic and contemporary, how about a single Ceramic bowl paired with a Gold tap with matching waste and overflow?



MATCHING METALLICS

With our range of metallic wastes and overflows you can match your sink accessories to your chosen tap. Fits any sink with a 90mm waste outlet. Take a look at all the finishes on page 99.

OPTIONAL EXTRAS

Create a classic style with matching metallics or a mixing for a contemporary twist. With our range of accessories you can achieve the perfect kitchen. To see the full collection go to page 99.

CPK550/AB

Antique Brass 90mm basket strainer waste with square & round overflow



CPK550/GD

Gold 90mm basket strainer waste with square & round overflow



BSW/CO

Copper 90mm basket strainer waste with square & round overflow



ETTRA 600

WARWICKSHIRE



ETT600U - Undermount

FEATURES

- No tap facility
- 90mm waste outlet for a basket strainer waste
- Suitable for a waste disposer

Note: waste to be ordered separately

PLUMBING OPTIONS

- Stainless Steel waste and overflow CPK501
- Plumbing kit CPK100

DIMENSIONS

- Bowl depth 176mm
- Overall sink depth 200mm
- Min. base unit 600mm

Note: All sink dimensions may vary by plus-or-minus 2%.

ACCESSORY OPTIONS



CPWiB3 - Inset or Undermount

FEATURES

- No tap facility
- 90mm waste outlet for a basket strainer waste
- Suitable for a waste disposer
- Overflow included

Note: waste to be ordered separately

PLUMBING OPTIONS

- Stainless steel waste BSW/OF/SS3
- Plumbing kit CPK100

DIMENSIONS

- Bowl depth 200mm
- Overall sink depth 228mm
- Min. base unit 500mm [inset]
- Cut-out size ø445mm

Note: All sink dimensions may vary by plus-or-minus 2%.

ACCESSORY OPTIONS



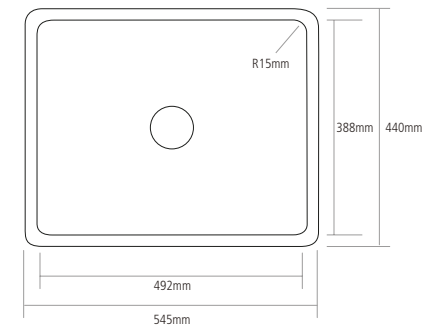
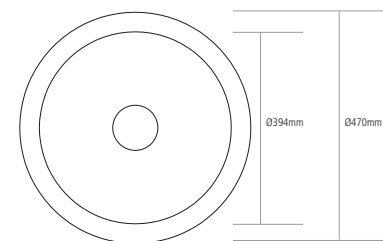
FITTING OPTIONS



Inset



Undermounted



CHESHIRE

CHESHIRE 760



CPCiB3 - Inset or Undermount

FEATURES

- No tap facility
- 90mm waste outlet for a basket strainer waste
- Suitable for a waste disposer
- Overflow included

Note: waste to be ordered separately

PLUMBING OPTIONS

- Stainless Steel waste BSW/OF/SS3
- Brushed Steel waste and overflow CPK551
- Plumbing kit CPK100

DIMENSIONS

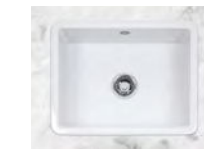
- Bowl depth 195mm
- Overall sink depth 220mm
- Min. base unit 600mm
- Cut out size 535 x 408mm

Note: All sink dimensions may vary by plus-or-minus 2%.

ACCESSORY OPTIONS



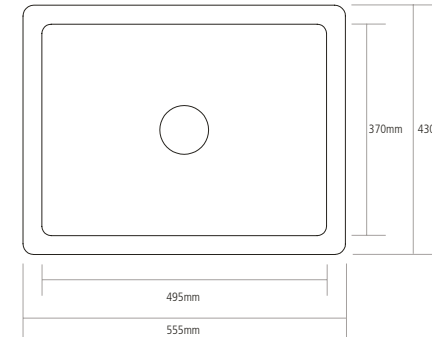
FITTING OPTIONS



Inset



Undermounted



CPCiB760 - Inset or Undermount

FEATURES

- No tap facility
- 90mm waste outlet for a basket strainer waste
- Suitable for a waste disposer
- Hygiene finish

Note: waste to be ordered separately

PLUMBING OPTIONS

- Stainless Steel waste and overflow CPK501
- Plumbing kit CPK100

DIMENSIONS

- Bowl depth 235mm
- Overall sink depth 265mm
- Min. base unit 800mm
- Cut out size 740 x 440mm

Note: All sink dimensions may vary by plus-or-minus 2%.

ACCESSORY OPTIONS



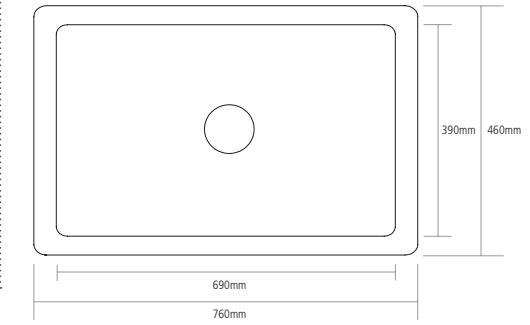
FITTING OPTIONS



Inset



Undermounted



OPTIONAL EXTRAS

Create a classic style with matching metallics or a mixing for a contemporary twist. With our range of accessories you can achieve the perfect kitchen. To see the full collection go to page 99.

CPK550/AB

Antique Brass 90mm basket strainer waste with square & round overflow



CPK550/GD

Gold 90mm basket strainer waste with square & round overflow



BSW/CO

Copper 90mm basket strainer waste with square & round overflow



BSW/BC

Blackened Copper 90mm basket strainer waste with square & round overflow



BSW/GM

Gunmetal 90mm basket strainer waste with square & round overflow



CPK550/BS

Black Steel 90mm basket strainer waste with square & round overflow



HAMPSHIRE



HAMPSHIRE - Inset or Undermount

FEATURES

- No tap facility
- 90mm waste outlet for a basket strainer waste
- Suitable for a waste disposer

Note: waste to be ordered separately

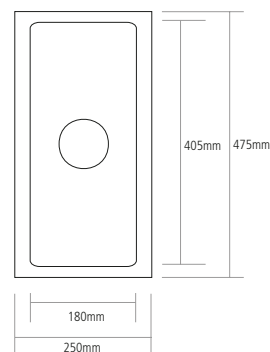
PLUMBING OPTIONS

- Stainless Steel waste and overflow CPK1501
- Brushed Steel waste and overflow CPK2501
- Chrome waste and overflow CPK1901
- Plumbing kit CPK100

DIMENSIONS

- Bowl depth 130mm
- Overall sink depth 155mm
- Min. base unit 300mm
- Cut-out size 225 x 455mm

Note: All sink dimensions may vary by plus-or-minus 2%.



BERKSHIRE



BERKSHIRE - Inset or Undermount

FEATURES

- No tap facility
- 90mm waste outlet for a basket strainer waste
- Suitable for a waste disposer

Note: waste to be ordered separately

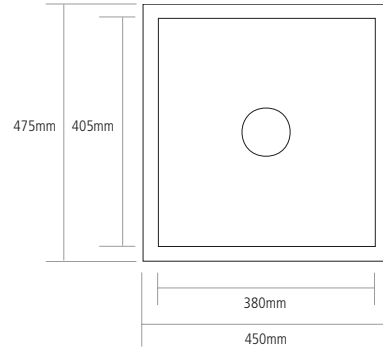
PLUMBING OPTIONS

- Stainless Steel waste and overflow CPK1501
- Brushed Steel waste and overflow CPK2501
- Chrome waste and overflow CPK1901
- Plumbing kit CPK100

DIMENSIONS

- Main bowl depth 180mm
- Overall sink depth 215mm
- Min. base unit 500mm
- Cut out size 430 x 455mm

Note: All sink dimensions may vary by plus-or-minus 2%.



ACCESSORY OPTIONS

Universal wooden chopping board
CBB3040Basket strainer waste decorative cover
CWC2

FITTING OPTIONS



Inset



Undermounted

ACCESSORY OPTIONS

Universal wooden chopping board
CBB3040Basket strainer waste decorative cover
CWC2

FITTING OPTIONS



Inset



Undermounted

GRANITE SINKS

These practical and beautiful sinks are able to cope with the demands of everyday living. Granite is synonymous for durability and can also offer you an array of stylish colours to match your décor.



OPTIONAL EXTRAS

Create a classic style with matching metallics or a mixing for a contemporary twist. With our range of accessories you can achieve the perfect kitchen. To see the full collection go to page 99.

CPK550/AB

Antique Brass 90mm basket strainer waste with square & round overflow



CPK550/GD

Gold 90mm basket strainer waste with square & round overflow



BSW/CO

Copper 90mm basket strainer waste with square & round overflow



Our range consisting of 5 families are made from Geotech, which is available in 7 sophisticated colourways. Our stunning Black and Anthracite finishes are infused with a sparkling metallic fleck, guaranteed to add a touch of glamour to your kitchen.

Desert Sand has a warm, natural feel if you're looking for understated elegance and Chalk White's rich white tones provide the ultimate in relaxed sophistication. If you prefer a slightly industrial, yet ultra modern tone, Grey or Pebble Grey is perfect to create this look.

Material Innovation.



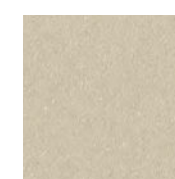
BK – BLACK
[METALLIC]



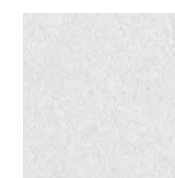
AN – ANTHRACITE
[METALLIC]



GR – GREY
[MATT]



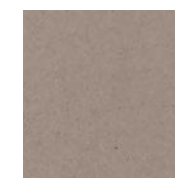
DS – DESERT SAND
[MATT]



CW – CHALK WHITE
[MATT]



PG – PEBBLE GREY
[METALLIC]



MK – MINK
[MATT]

KIND ON THE ENVIRONMENT

Geotech is made up of around 80% natural materials and manufactured using low energy consumption.

HIGHLY DURABLE

Produced to be extremely hard-wearing, it takes the knocks and scrapes of daily life in its stride.

NATURALLY GOOD LOOKING

These sinks offer the beauty of natural stone, yet can be moulded into an unlimited number of inspiring designs.

KEEPS ITS COLOUR

Completely colourfast, the metallic and matt colour finishes will both stay fresh and vibrant.

STAIN RESISTANT

Geotech is resistant to permanent staining. As long as it's cleaned regularly, it won't discolour or stain.

CUT-RESISTANT

Both cut and scratch resistant, Geotech will retain its unblemished surface through thick and thin.

EASY TO CLEAN

All you need to keep Geotech sparkling is warm water and washing-up liquid.



SOTERA 100



[ANTHRACITE SHOWN]

SOTERA 150



[DESERT SAND SHOWN]

SOT100XX - Inset with Drainer

FINISH AVAILABLE

Replace XX with colour code when ordering

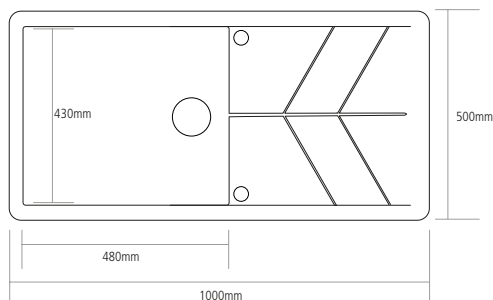
- AN** - Anthracite [metallic]
- DS** - Desert sand [matt]
- CW** - Chalk white [matt]
- PG** - Pebble grey [metallic]
- MK** - Mink [matt]

FEATURES

- Reversible
- 2x Semi-punched tap holes
- 90mm waste outlet for a basket strainer waste
- Suitable for a waste disposer
- Chrome waste, overflow and plumbing kit included
- Basket strainer waste decorative cover included [CWC2]

DIMENSIONS

- Bowl depth 220mm
- Min. base unit 600mm
- Cut-out size 980 x 480mm



ACCESSORY OPTIONS



SOT150XX - Inset with Drainer

FINISH AVAILABLE

Replace XX with colour code when ordering

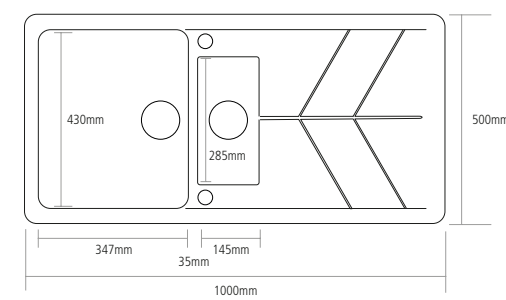
- AN** - Anthracite [metallic]
- DS** - Desert sand [matt]
- CW** - Chalk white [matt]
- PG** - Pebble grey [metallic]
- MK** - Mink [matt]

FEATURES

- Reversible
- 2x Semi-punched tap holes
- 2x 90mm waste outlets for basket strainer wastes
- Suitable for a waste disposer
- Chrome wastes, overflow and plumbing kit included
- 2x Basket strainer waste decorative covers included [CWC2]

DIMENSIONS

- Main bowl depth 210mm
- Small bowl depth 142mm
- Min. base unit 600mm
- Cut-out size 980 x 480mm



ACCESSORY OPTIONS



CANIS 100



[CHALK WHITE SHOWN]

CANIS 150



[MINK SHOWN]

CAN100XX - Inset with Drainer

FINISH AVAILABLE

Replace XX with colour code when ordering

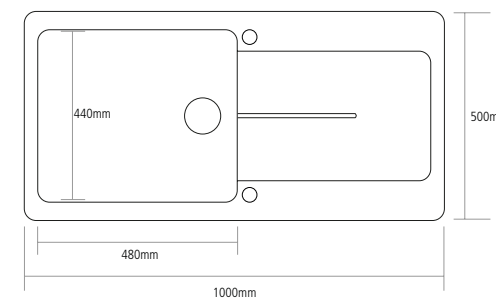
- AN** - Anthracite [metallic]
- DS** - Desert sand [matt]
- CW** - Chalk white [matt]
- PG** - Pebble grey [metallic]
- MK** - Mink [matt]

FEATURES

- Reversible
- 2x Semi-punched tap holes
- 90mm waste outlet for a basket strainer waste
- Suitable for a waste disposer
- Chrome waste, overflow and plumbing kit included

DIMENSIONS

- Bowl depth 200mm
- Min. base unit 600mm
- Cut-out size 980 x 480mm



ACCESSORY OPTIONS



CAN150XX - Inset with Drainer

FINISH AVAILABLE

Replace XX with colour code when ordering

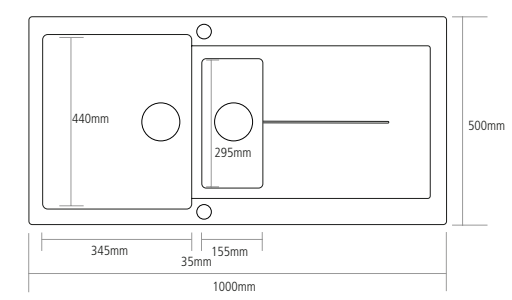
- AN** - Anthracite [metallic]
- DS** - Desert sand [matt]
- CW** - Chalk white [matt]
- PG** - Pebble grey [metallic]
- MK** - Mink [matt]

FEATURES

- Reversible
- 2x Semi-punched tap holes
- 2x 90mm waste outlets for basket strainer wastes
- Suitable for a waste disposer
- Chrome wastes, overflow and plumbing kit included

DIMENSIONS

- Main bowl depth 200mm
- Small bowl depth 146mm
- Min. base unit 600mm
- Cut-out size 980 x 480mm



ACCESSORY OPTIONS



OPTIONAL EXTRAS

Create a classic style with matching metallics or a mixing for a contemporary twist. With our range of accessories you can achieve the perfect kitchen. To see the full collection go to page 99.

CPK555/CO

Copper 90mm basket strainer waste and overflow.



CPK555/GD

Gold 90mm basket strainer waste and overflow.



CPK555/GM

Gunmetal 90mm basket strainer waste and overflow.



OPTIONAL EXTRAS

Create a classic style with matching metallics or a mixing for a contemporary twist. With our range of accessories you can achieve the perfect kitchen. To see the full collection go to page 99.

CPK555/CO

Copper 90mm basket strainer waste and overflow.



CPK555/GD

Gold 90mm basket strainer waste and overflow.



CPK555/GM

Gunmetal 90mm basket strainer waste and overflow.



VEIS 100



[ANTHRACITE SHOWN]

VEIS 150



[CHALK WHITE SHOWN]

VEI100XX - Inset with Drainer

PRODUCT CODE

Replace XX with colour code when ordering

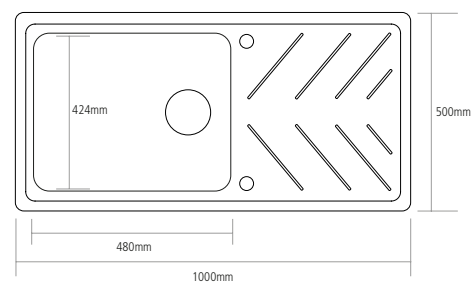
- AN** - Anthracite [metallic]
- DS** - Desert sand [matt]
- CW** - Chalk white [matt]
- PG** - Pebble grey [metallic]
- MK** - Mink [matt]

FEATURES

- Reversible
- 2x Semi-punched tap holes
- 90mm waste outlet for a basket strainer waste
- Suitable for a waste disposer
- Chrome waste, overflow and plumbing kit included

DIMENSIONS

- Bowl depth 200mm
- Min. base unit 600mm
- Cut-out size 980 x 480mm



ACCESSORY OPTIONS

- Glass chopping board **CGCB2**
- Chrome basket **CMBB3CH**
- Basket strainer waste decorative cover **CWC2**

VEI150XX - Inset with Drainer

PRODUCT CODE

Replace XX with colour code when ordering

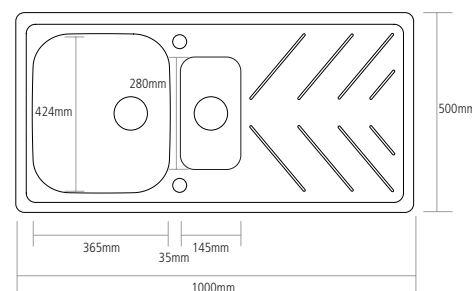
- AN** - Anthracite [metallic]
- DS** - Desert sand [matt]
- CW** - Chalk white [matt]
- PG** - Pebble grey [metallic]
- MK** - Mink [matt]

FEATURES

- Reversible
- 2x Semi-punched tap holes
- 2x 90mm waste outlets for basket strainer wastes
- Suitable for a waste disposer
- Chrome wastes, overflow and plumbing kit included

DIMENSIONS

- Main bowl depth 200mm
- Small bowl depth 140mm
- Min. base unit 600mm
- Cut-out size 980 x 480mm



ACCESSORY OPTIONS

- Glass chopping board **CGCB2**
- Chrome basket **CMBB1CH**
- Chrome basket **CSB1CH**
- 2 x Basket strainer waste decorative cover **CWC2**

LEESTI 400



[PEBBLY GREY SHOWN]

LEE400XX - Inset or Undermount

PRODUCT CODE

Replace XX with colour code when ordering

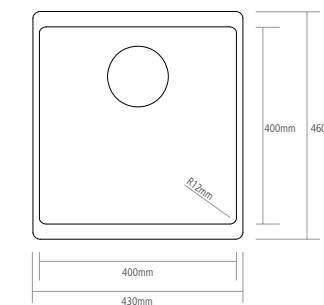
- AN** - Anthracite [metallic]
- DS** - Desert sand [matt]
- CW** - Chalk white [matt]
- PG** - Pebble grey [metallic]
- MK** - Mink [matt]

FEATURES

- No tap facility
- 90mm waste outlet for basket strainer waste
- Suitable for a waste disposer
- Chrome wastes, overflow and plumbing kit included

DIMENSIONS

- Bowl depth 200mm
- Min. base unit 500mm
- Inset cut-out size 420 x 444mm
- Undermount cut-out size 400 x 400mm



ACCESSORY OPTIONS

- Stainless Steel foldmat **FMAT/SS**
- Universal wooden chopping board **CBB3040**
- Chrome basket **CMBB19CH**
- Basket strainer waste decorative cover **CWC2**

LEESTI 500



[MINK SHOWN]

LEE500XX - Inset or Undermount

PRODUCT CODE

Replace XX with colour code when ordering

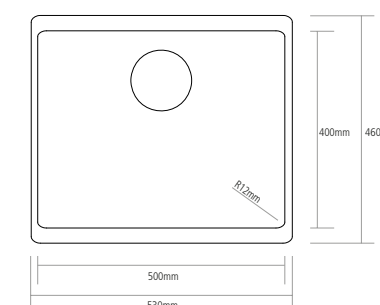
- AN** - Anthracite [metallic]
- DS** - Desert sand [matt]
- CW** - Chalk white [matt]
- PG** - Pebble grey [metallic]
- MK** - Mink [matt]

FEATURES

- No tap facility
- 90mm waste outlet for a basket strainer waste
- Suitable for a waste disposer
- Chrome waste, overflow and plumbing kit included

DIMENSIONS

- Bowl depth 200mm
- Min. Base unit 600mm
- Inset cut-out size 520 x 444mm
- Undermount cut-out size 500 x 400mm



OPTIONAL EXTRAS

Create a classic style with matching metallics or a mixing for a contemporary twist. With our range of accessories you can achieve the perfect kitchen. To see the full collection go to page 99.

CPK555/CO

Copper 90mm basket strainer waste and overflow.

CPK555/GD

Gold 90mm basket strainer waste and overflow.

CPK555/GM

Gunmetal 90mm basket strainer waste and overflow.

OPTIONAL EXTRAS

Create a classic style with matching metallics or a mixing for a contemporary twist. With our range of accessories you can achieve the perfect kitchen. To see the full collection go to page 99.

CPK555/CO

Copper 90mm basket strainer waste and overflow.

CPK555/GD

Gold 90mm basket strainer waste and overflow.

CPK555/GM

Gunmetal 90mm basket strainer waste and overflow.

LEESTI 151



[DESERT SAND SHOWN]

LEESTI 760



[CHALK WHITE SHOWN]

LEE151XX - Inset or Undermount

PRODUCT CODE

Replace XX with colour code when ordering

- AN** - Anthracite [metallic]
- DS** - Desert sand [matt]
- CW** - Chalk white [matt]
- PG** - Pebble grey [metallic]
- MK** - Mink [matt]

FEATURES

- No tap facility
- 2x 90mm waste outlets for basket strainer wastes
- Can be installed with the small bowl on the left or right hand side
- Suitable for a waste disposer
- Chrome wastes, overflow and plumbing kit included

DIMENSIONS

- Bowl depth 200mm
- Min. Base unit 600mm
- Inset cut-out size 545 x 444mm
- Undermount cut-out size 525 x 400mm

ACCESSORY OPTIONS

Stainless Steel foldmat
FMAT/SS

Universal wooden chopping board
CBB3040

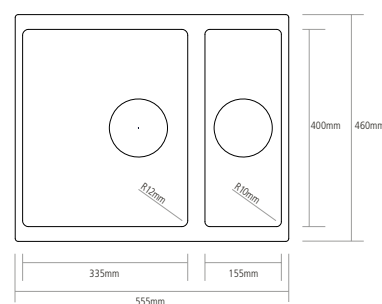
Chrome basket
CMBB13CH

2 x Basket strainer waste decorative cover
CWC2

FITTING OPTION



Left hand small bowl



LEE760XX - Undermounted

PRODUCT CODE

Replace XX with colour code when ordering

- AN** - Anthracite [metallic]
- DS** - Desert sand [matt]
- CW** - Chalk white [matt]
- PG** - Pebble grey [metallic]
- MK** - Mink [matt]

FEATURES

- No tap facility
- 90mm waste outlets for a basket strainer waste
- Suitable for a waste disposer
- Chrome wastes, overflow and plumbing kit included

DIMENSIONS

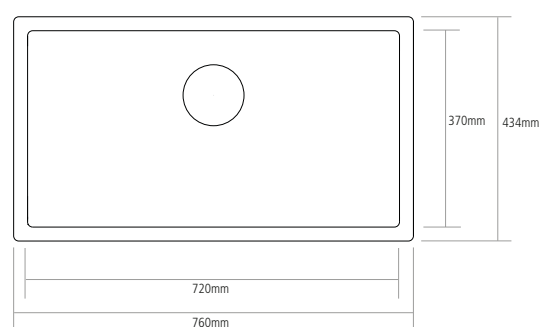
- Bowl depth 220mm
- Min. base unit 800mm

ACCESSORY OPTIONS

Stainless Steel foldmat
FMAT/SS

Glass chopping board
CGCB2

Basket strainer waste decorative cover
CWC2



LEESTI 200



[ANTHRACITE SHOWN]

BELFAST SINK



LEE200XX - Undermounted

PRODUCT CODE

Replace XX with colour code when ordering

- AN** - Anthracite [metallic]
- DS** - Desert sand [matt]
- CW** - Chalk white [matt]
- PG** - Pebble grey [metallic]
- MK** - Mink [matt]

FEATURES

- No tap facility
- 2x 90mm waste outlets for basket strainer wastes
- Suitable for a waste disposer
- Chrome wastes, overflow and plumbing kit included

DIMENSIONS

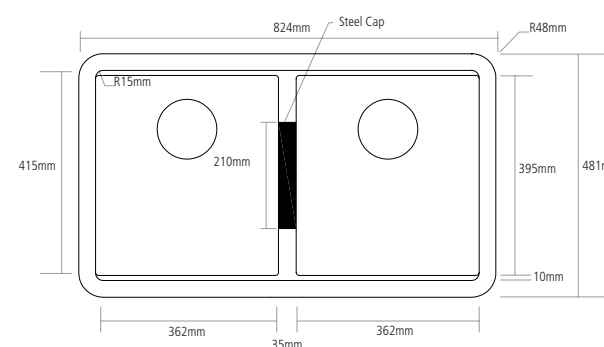
- Bowl depth 240mm
- Min. base unit 900mm

ACCESSORY OPTIONS

Stainless Steel foldmat
FMAT/SS

Universal wooden chopping board
CBB3040

2 x Basket strainer waste decorative cover
CWC2



BELGR - Sit-on Belfast

FEATURES

- Reversible
 - No tap facility
 - 90mm waste outlets for a basket strainer wastes
 - Overflow included
- Wastes to be ordered separately

PLUMBING OPTIONS

- Stainless Steel waste BSW/OF/SS3
- Plumbing kit CPK100

DIMENSIONS

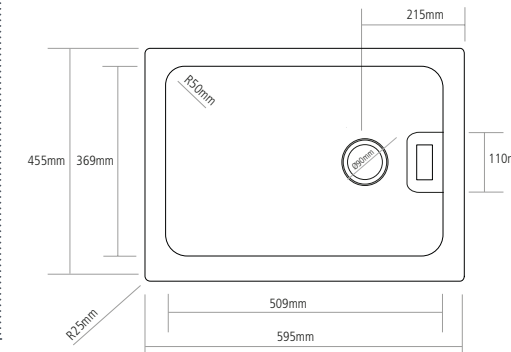
- Bowl depth 225mm
- Overall sink depth 250mm
- Min. base unit 600mm
- Sink tapers from top to bottom by approx. 8mm

ACCESSORY OPTIONS

Universal wooden chopping board
CBB3040

Roweca Anthracite chopping board
VACB

Basket strainer waste decorative cover
CWC2



OPTIONAL EXTRAS

Create a classic style with matching metallics or a mixing for a contemporary twist. With our range of accessories you can achieve the perfect kitchen. To see the full collection go to page 99.

CPK555/CO

Copper 90mm basket strainer waste and overflow.



CPK555/GD

Gold 90mm basket strainer waste and overflow.



CPK555/GM

Gunmetal 90mm basket strainer waste and overflow.



OPTIONAL EXTRAS

Create a classic style with matching metallics or a mixing for a contemporary twist. With our range of accessories you can achieve the perfect kitchen. To see the full collection go to page 99.

CPK555/CO

Copper 90mm basket strainer waste and overflow.



CPK555/GD

Gold 90mm basket strainer waste and overflow.



CPK555/GM

Gunmetal 90mm basket strainer waste and overflow.



STAINLESS STEEL SINKS

Stainless Steel has been the automatic choice for professional cooks over many years. Why not make it yours? It is tough, resilient and highly practical – and in our range of styles, shapes and colours, it looks sensational too.



Metallic Magic.

PVD COATING

All our metallic sinks, taps, wastes and overflows are coloured using physical vapour deposition. PVD refers to a variety of thin film deposition techniques where solid metal is vaporized in a high vacuum environment and deposited on electrically conductive materials as a pure metal or alloy coating. Commonly used on high end watches and formula one cars, PVD is the most effective way to colour metal.

MIX + MATCH

All of our Saso sinks are supplied with a matching waste and overflow. However, if choosing a metallic coloured sink, you can make an extra statement, why not mix and match with a contrasting metallic waste and overflow? See page 99.



Introducing SASO.

The SASO worktop sink collection has been specifically designed to work with three work surfaces – quartz, solid surface and stone. Each side of the base is also angled for easier access to clean the corners and edges.

SMOOTH TRANSITION

The waterfall worktop lines the side of the sink bowl, revealing only the base and the overflow for a truly minimalist look. An installation that's even more discreet than traditional undermounted sinks.

EASY ACCESS

Slanted bowl edges to aid the cleaning process, making every corner easy to access.

SASO 20



SASO 20



SASO 20



SASO 20



SASO20/16/BS - Worktop Sink

FEATURES

- 1.2mm brushed Stainless Steel with PVD Black Steel finish
- No tap facility
- 90mm waste outlet for a basket strainer waste
- Suitable for a waste disposer
- Waste and overflow included

PLUMBING OPTION

- Plumbing kit CPK100

DIMENSIONS

- Bowl depth 120mm
- Min. base unit 300mm

ACCESSORY OPTIONS



SASO20/16/CO - Worktop Sink

FEATURES

- 1.2mm brushed Stainless Steel with PVD Copper Finish
- No tap facility
- 90mm waste outlet for a basket strainer waste
- Suitable for a waste disposer
- Waste and overflow included

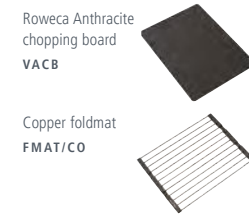
PLUMBING OPTION

- Plumbing kit CPK100

DIMENSIONS

- Bowl depth 120mm
- Min. base unit 300mm

ACCESSORY OPTIONS



SASO20/16/GD - Worktop Sink

FEATURES

- 1.2mm brushed Stainless Steel with PVD Gold Finish
- No tap facility
- 90mm waste outlet for a basket strainer waste
- Suitable for a waste disposer
- Waste and overflow included

PLUMBING OPTION

- Plumbing kit CPK100

DIMENSIONS

- Bowl depth 120mm
- Min. base unit 300mm

ACCESSORY OPTIONS



SASO20/16/GM - Worktop Sink

FEATURES

- 1.2mm brushed Stainless Steel with PVD Gunmetal Finish
- No tap facility
- 90mm waste outlet for a basket strainer waste
- Suitable for a waste disposer
- Waste and overflow included

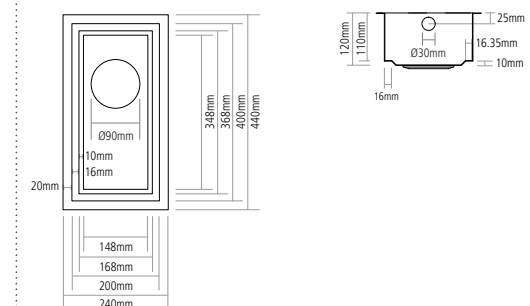
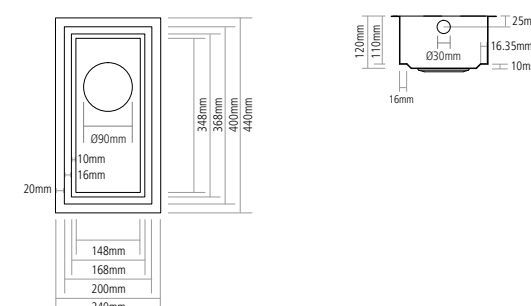
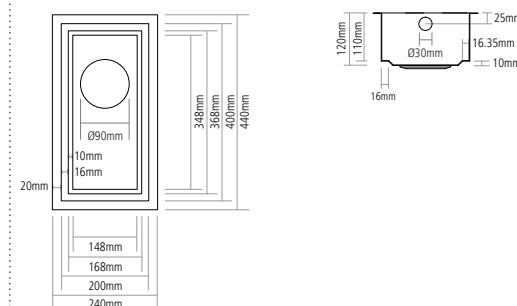
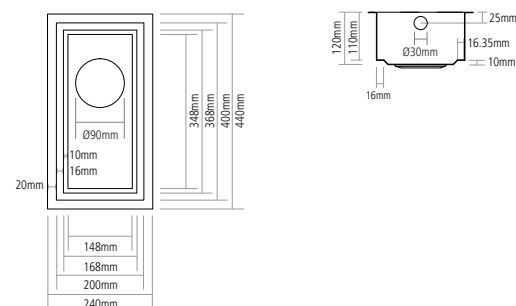
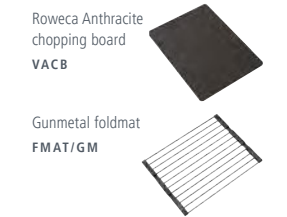
PLUMBING OPTION

- Plumbing kit CPK100

DIMENSIONS

- Bowl depth 120mm
- Min. base unit 300mm

ACCESSORY OPTIONS



WASTE/051

Black Steel 90mm basket strainer waste and overflow



WASTE/052

Copper 90mm basket strainer waste and overflow



WASTE/053

Gold 90mm basket strainer waste and overflow



WASTE/054

Gunmetal 90mm basket strainer waste and overflow



WASTE/051

Black Steel 90mm basket strainer waste and overflow



WASTE/052

Copper 90mm basket strainer waste and overflow



WASTE/053

Gold 90mm basket strainer waste and overflow

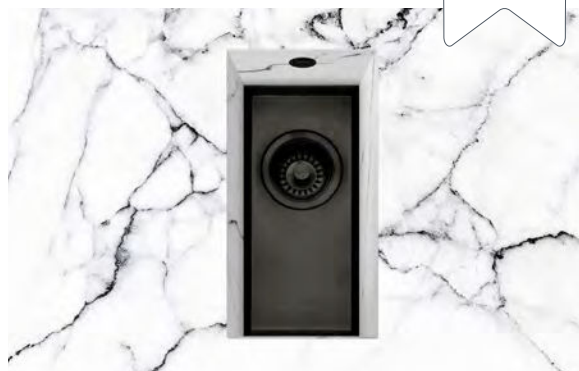


WASTE/054

Gunmetal 90mm basket strainer waste and overflow



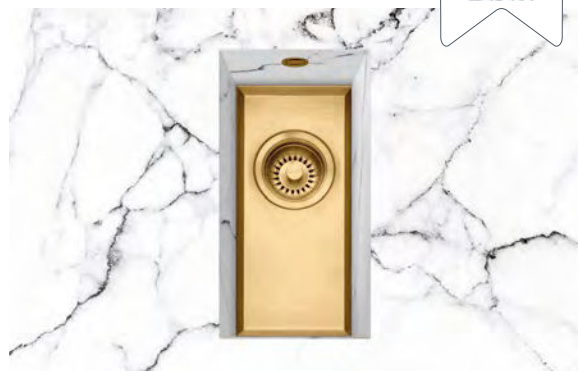
SASO 22



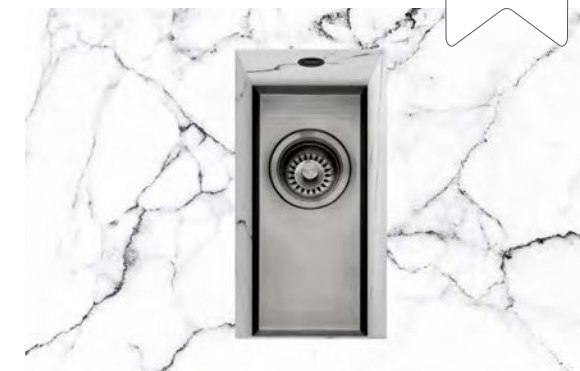
SASO 22



SASO 22



SASO 22



SASO22/26/BS - Worktop Sink

FEATURES

- 1.2mm brushed Stainless Steel with PVD Black Steel finish
- No tap facility
- 90mm waste outlet for a basket strainer waste
- Suitable for a waste disposer
- Waste and overflow included

PLUMBING OPTION

- Plumbing kit CPK100

DIMENSIONS

- Bowl depth 120mm
- Min. base unit 300mm

ACCESSORY OPTIONS



SASO22/26/CO - Worktop Sink

FEATURES

- 1.2mm brushed Stainless Steel with PVD Copper Finish
- No tap facility
- 90mm waste outlet for a basket strainer waste
- Suitable for a waste disposer
- Waste and overflow included

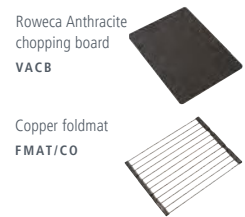
PLUMBING OPTION

- Plumbing kit CPK100

DIMENSIONS

- Bowl depth 120mm
- Min. base unit 300mm

ACCESSORY OPTIONS



SASO22/26/GD - Worktop Sink

FEATURES

- 1.2mm brushed Stainless Steel with PVD Gold Finish
- No tap facility
- 90mm waste outlet for a basket strainer waste
- Suitable for a waste disposer
- Waste and overflow included

PLUMBING OPTION

- Plumbing kit CPK100

DIMENSIONS

- Bowl depth 120mm
- Min. base unit 300mm

ACCESSORY OPTIONS



SASO22/26/GM - Worktop Sink

FEATURES

- 1.2mm brushed Stainless Steel with PVD Gunmetal Finish
- No tap facility
- 90mm waste outlet for a basket strainer waste
- Suitable for a waste disposer
- Waste and overflow included

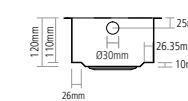
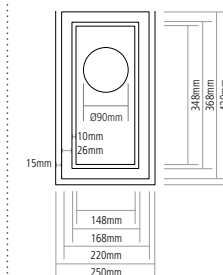
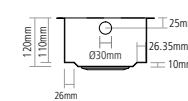
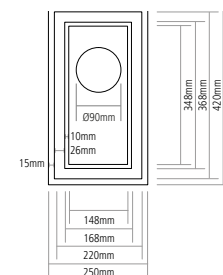
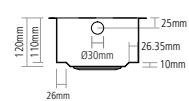
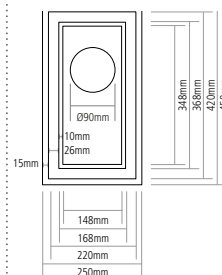
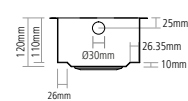
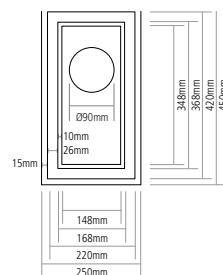
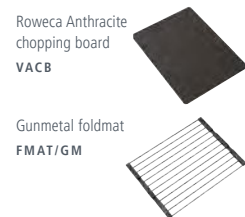
PLUMBING OPTION

- Plumbing kit CPK100

DIMENSIONS

- Bowl depth 120mm
- Min. base unit 300mm

ACCESSORY OPTIONS



WASTE/051

Black Steel 90mm basket strainer waste and overflow



WASTE/052

Copper 90mm basket strainer waste and overflow



WASTE/053

Gold 90mm basket strainer waste and overflow



WASTE/054

Gunmetal 90mm basket strainer waste and overflow



WASTE/051

Black Steel 90mm basket strainer waste and overflow



WASTE/052

Copper 90mm basket strainer waste and overflow



WASTE/053

Gold 90mm basket strainer waste and overflow



WASTE/054

Gunmetal 90mm basket strainer waste and overflow



SASO 45



SASO 45



SASO 45



SASO 45



SASO45/16/BS - Worktop Sink

FEATURES

- 1.2mm brushed Stainless Steel with PVD Black Steel finish
- No tap facility
- 90mm waste outlet for a basket strainer waste
- Suitable for a waste disposer
- Waste and overflow included

PLUMBING OPTION

- Plumbing kit CPK100

DIMENSIONS

- Bowl depth 175mm
- Min. base unit 500mm

ACCESSORY OPTIONS



SASO45/16/CO - Worktop Sink

FEATURES

- 1.2mm brushed Stainless Steel with PVD Copper Finish
- No tap facility
- 90mm waste outlet for a basket strainer waste
- Suitable for a waste disposer
- Waste and overflow included

PLUMBING OPTION

- Plumbing kit CPK100

DIMENSIONS

- Bowl depth 175mm
- Min. base unit 500mm

ACCESSORY OPTIONS



SASO45/16/GD - Worktop Sink

FEATURES

- 1.2mm brushed Stainless Steel with PVD Gold Finish
- No tap facility
- 90mm waste outlet for a basket strainer waste
- Suitable for a waste disposer
- Waste and overflow included

PLUMBING OPTION

- Plumbing kit CPK100

DIMENSIONS

- Bowl depth 175mm
- Min. base unit 500mm

ACCESSORY OPTIONS



SASO45/16/GM - Worktop Sink

FEATURES

- 1.2mm brushed Stainless Steel with PVD Gunmetal Finish
- No tap facility
- 90mm waste outlet for a basket strainer waste
- Suitable for a waste disposer
- Waste and overflow included

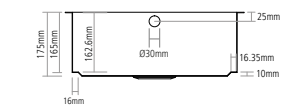
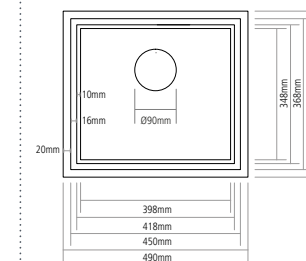
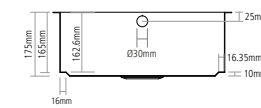
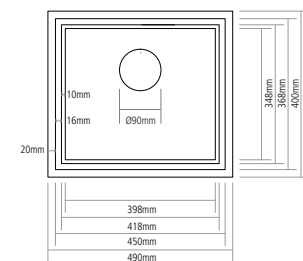
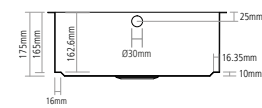
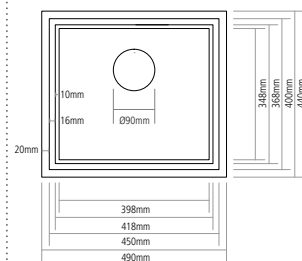
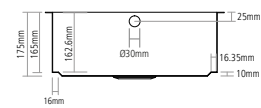
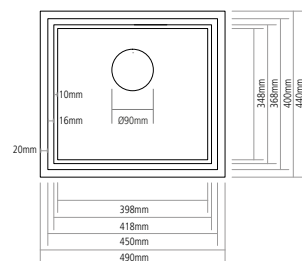
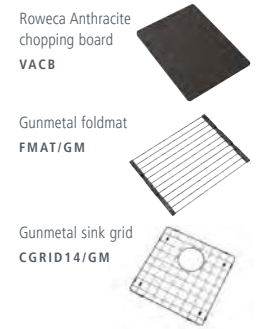
PLUMBING OPTION

- Plumbing kit CPK100

DIMENSIONS

- Bowl depth 175mm
- Min. base unit 500mm

ACCESSORY OPTIONS



WASTE/051

Black Steel 90mm basket strainer waste and overflow



WASTE/052

Copper 90mm basket strainer waste and overflow



WASTE/053

Gold 90mm basket strainer waste and overflow



WASTE/054

Gunmetal 90mm basket strainer waste and overflow



WASTE/051

Black Steel 90mm basket strainer waste and overflow



WASTE/052

Copper 90mm basket strainer waste and overflow



WASTE/053

Gold 90mm basket strainer waste and overflow



WASTE/054

Gunmetal 90mm basket strainer waste and overflow



SASO 45



SASO 45



SASO 45



SASO 45



SASO45/26/BS - Worktop Sink

FEATURES

- 1.2mm brushed Stainless Steel with PVD Black Steel finish
- No tap facility
- 90mm waste outlet for a basket strainer waste
- Suitable for a waste disposer
- Waste and overflow included

PLUMBING OPTION

- Plumbing kit CPK100

DIMENSIONS

- Bowl depth 175mm
- Min. base unit 500mm

ACCESSORY OPTIONS



SASO45/26/CO - Worktop Sink

FEATURES

- 1.2mm brushed Stainless Steel with PVD Copper Finish
- No tap facility
- 90mm waste outlet for a basket strainer waste
- Suitable for a waste disposer
- Waste and overflow included

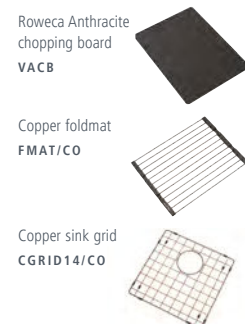
PLUMBING OPTION

- Plumbing kit CPK100

DIMENSIONS

- Bowl depth 175mm
- Min. base unit 500mm

ACCESSORY OPTIONS



SASO45/26/GD - Worktop Sink

FEATURES

- 1.2mm brushed Stainless Steel with PVD Gold Finish
- No tap facility
- 90mm waste outlet for a basket strainer waste
- Suitable for a waste disposer
- Waste and overflow included

PLUMBING OPTION

- Plumbing kit CPK100

DIMENSIONS

- Bowl depth 175mm
- Min. base unit 500mm

ACCESSORY OPTIONS



SASO45/26/GM - Worktop Sink

FEATURES

- 1.2mm brushed Stainless Steel with PVD Gunmetal Finish
- No tap facility
- 90mm waste outlet for a basket strainer waste
- Suitable for a waste disposer
- Waste and overflow included

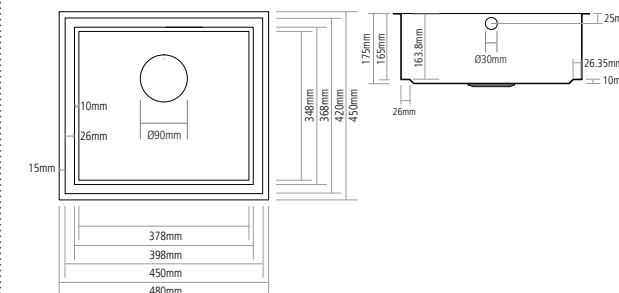
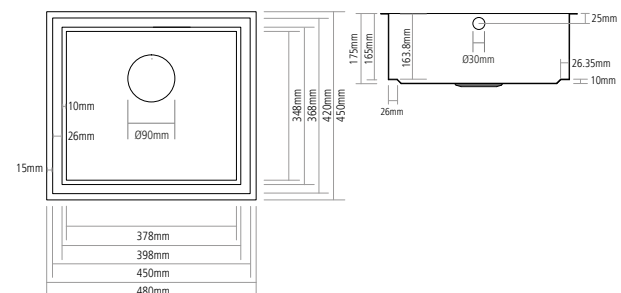
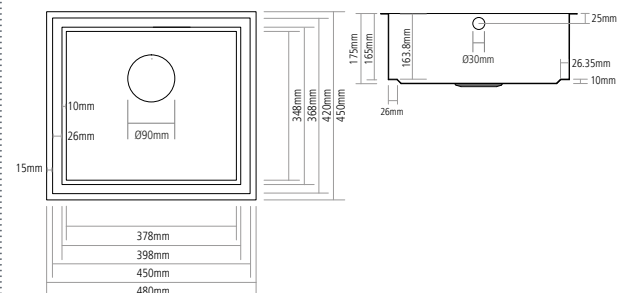
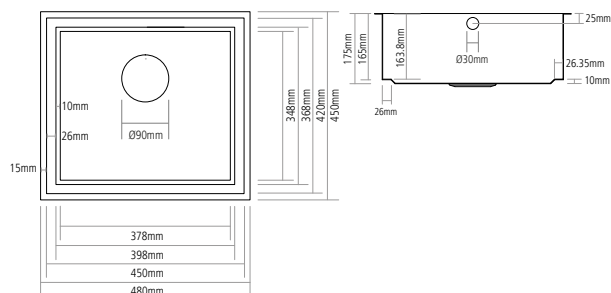
PLUMBING OPTION

- Plumbing kit CPK100

DIMENSIONS

- Bowl depth 175mm
- Min. base unit 500mm

ACCESSORY OPTIONS



WASTE/051

Black Steel 90mm basket strainer waste and overflow



WASTE/052

Copper 90mm basket strainer waste and overflow



WASTE/053

Gold 90mm basket strainer waste and overflow



WASTE/054

Gunmetal 90mm basket strainer waste and overflow



WASTE/051

Black Steel 90mm basket strainer waste and overflow



WASTE/052

Copper 90mm basket strainer waste and overflow



WASTE/053

Gold 90mm basket strainer waste and overflow



WASTE/054

Gunmetal 90mm basket strainer waste and overflow



SASO 20



SASO 22



SASO 45



SASO 45



SASO20/16/SS - Worktop Sink

FEATURES

- 1.2mm brushed Stainless Steel
- No tap facility
- 90mm waste outlet for a basket strainer waste
- Suitable for a waste disposer
- Waste and overflow included

PLUMBING OPTION

- Plumbing kit CPK100

DIMENSIONS

- Bowl depth 120mm
- Min. base unit 300mm

ACCESSORY OPTIONS



SASO22/26/SS - Worktop Sink

FEATURES

- 1.2mm brushed Stainless Steel
- No tap facility
- 90mm waste outlet for a basket strainer waste
- Suitable for a waste disposer
- Waste and overflow included

PLUMBING OPTION

- Plumbing kit CPK100

DIMENSIONS

- Bowl depth 120mm
- Min. base unit 300mm

ACCESSORY OPTIONS



SASO45/16/SS - Worktop Sink

FEATURES

- 1.2mm brushed Stainless Steel
- No tap facility
- 90mm waste outlet for a basket strainer waste
- Suitable for a waste disposer
- Waste and overflow included

PLUMBING OPTION

- Plumbing kit CPK100

DIMENSIONS

- Bowl depth 175mm
- Min. base unit 500mm

ACCESSORY OPTIONS



SASO45/26/SS - Worktop Sink

FEATURES

- 1.2mm brushed Stainless Steel
- No tap facility
- 90mm waste outlet for a basket strainer waste
- Suitable for a waste disposer
- Waste and overflow included

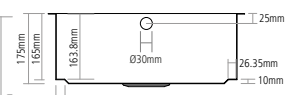
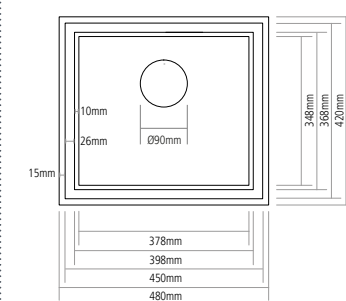
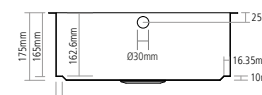
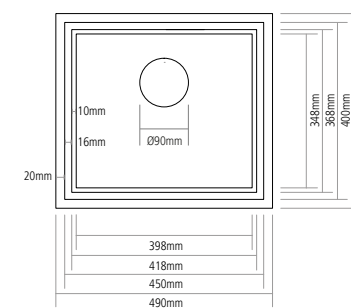
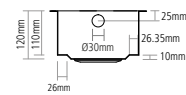
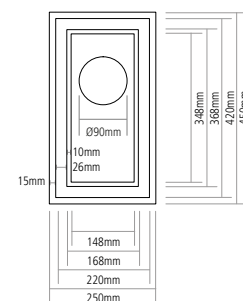
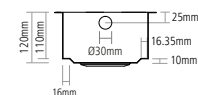
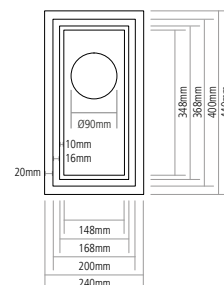
PLUMBING OPTION

- Plumbing kit CPK100

DIMENSIONS

- Bowl depth 175mm
- Min. base unit 500mm

ACCESSORY OPTIONS



WASTE/051

Black Steel 90mm basket strainer waste and overflow



WASTE/052

Copper 90mm basket strainer waste and overflow



WASTE/053

Gold 90mm basket strainer waste and overflow



WASTE/054

Gunmetal 90mm basket strainer waste and overflow



WASTE/051

Black Steel 90mm basket strainer waste and overflow



WASTE/052

Copper 90mm basket strainer waste and overflow



WASTE/053

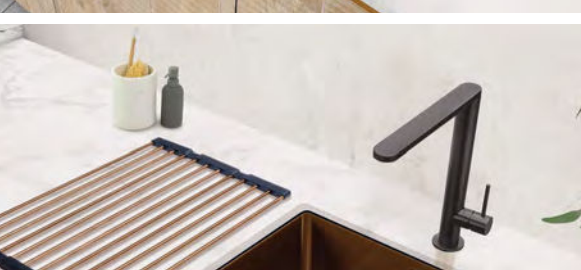
Gold 90mm basket strainer waste and overflow



WASTE/054

Gunmetal 90mm basket strainer waste and overflow





Mode Individual + Multiple Bowls.

Chic, modern and sophisticated sums up our Mode collection. These smart Stainless Steel bowls provide a wide variety of options that will finish off your modern kitchen – beautifully.

MODERN MODE

Mode's distinctive look combines ultra modern straight edges and subtly curved corners. The result? A contemporary sink with a touch of class.

TRULY VERSATILE

Whether you prefer an inset or undermounted look, Mode sinks are flexible enough to accommodate any worktop and tap of your choice.

Metallic Magic.

PVD COATING

All our metallic sinks, taps, wastes and overflows are coloured using physical vapour deposition. PVD refers to a variety of thin film deposition techniques where solid metal is vaporized in a high vacuum environment and deposited on electrically conductive materials as a pure metal or alloy coating. Commonly used on high end watches and formula one cars, PVD is the most effective way to colour metal.

MIX + MATCH

All of our Mode sinks are supplied with a matching waste and overflow. However, if choosing a metallic coloured sink, you can make an extra statement, why not mix and match with a contrasting metallic waste and overflow? See page 99.

MODE 175 GOLD + STAINLESS STEEL



MODE 175



MODE175/GD - Inset or Undermount

FEATURES

- 3.0mm frame with 1.2mm brushed Stainless Steel with Gold PVD finish
- 1 Punched tap hole
- 2x 90mm waste outlets for a basket strainer wastes
- Suitable for a waste disposer
- Wastes and overflow included

PLUMBING OPTION

- Plumbing kit CPK200

DIMENSIONS

- Main bowl depth 220mm
- Small bowl depth 200mm
- Min. base unit 800mm

For cut-out shape go to caple.co.uk for template

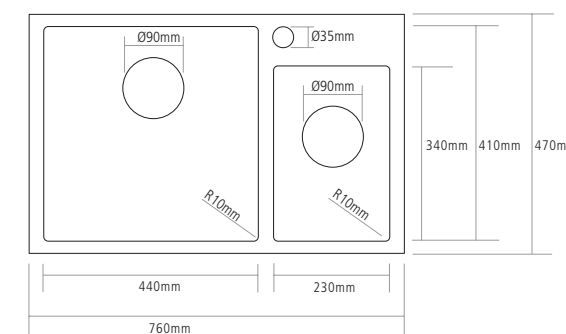
FITTING OPTIONS



Inset



Undermounted



ACCESSORY OPTIONS

- Stainless Steel foldmat **FMAT/SS**
- Gold foldmat **FMAT/GD**
- Roweca Anthracite chopping board **VACB**
- Gold grid **CGRID12/GD**
- Gold colander **CSB31GD**
- 2 x Basket strainer waste decorative cover **CWC2**

MODE175 - Inset or Undermount

FEATURES

- 3.0mm frame with 1.2mm brushed Stainless Steel
- 1 Punched tap hole
- 2x 90mm waste outlets for a basket strainer wastes
- Suitable for a waste disposer
- Wastes and overflow included

PLUMBING OPTION

- Plumbing kit CPK200

DIMENSIONS

- Main bowl depth 220mm
- Small bowl depth 200mm
- Min. base unit 800mm

For cut-out shape go to caple.co.uk for template

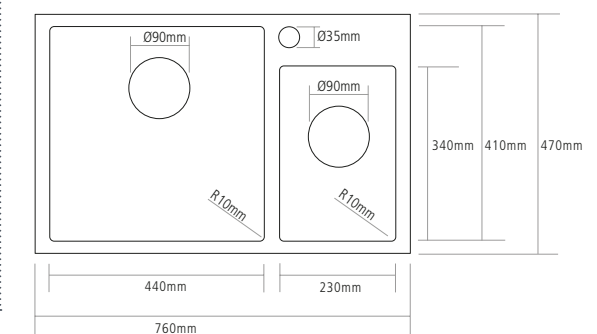
FITTING OPTIONS



Inset



Undermounted



ACCESSORY OPTIONS

- Stainless Steel foldmat **FMAT/SS**
- Roweca Anthracite chopping board **VACB**
- Stainless Steel grid **CGRID12**
- Stainless Steel colander **CSB31SS**
- 2 x Basket strainer waste decorative cover **CWC2**

MODE 45 BLACK STEEL

MODE 45 COPPER

MODE 45 GUNMETAL

MODE 45 GOLD



MODE045/BS - Inset or Undermount

MODE045/CO - Inset or Undermount

MODE045/GM - Inset or Undermount

MODE045/GD - Inset or Undermount

FEATURES

- 1.2mm brushed Stainless Steel with PVD Black Steel finish
- No tap facility
- 90mm waste outlet for a basket strainer waste
- Suitable for a waste disposer
- Waste and overflow included

PLUMBING OPTION

- Plumbing kit CPK100

DIMENSIONS

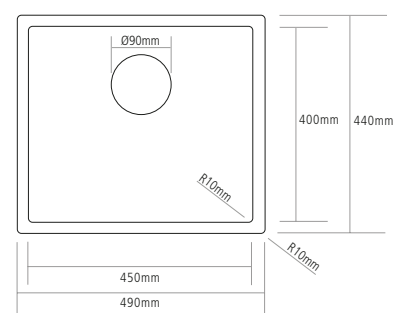
- Bowl depth 200mm
- Min. base unit 500mm
- Inset cut-out size 476 x 426mm

For cut-out shape go to caple.co.uk for template

FITTING OPTIONS



Inset Undermounted



ACCESSORY OPTIONS



FEATURES

- 1.2mm brushed Stainless Steel with PVD Copper Finish
- No tap facility
- 90mm waste outlet for a basket strainer waste
- Suitable for a waste disposer
- Waste and overflow included

PLUMBING OPTION

- Plumbing kit CPK100

DIMENSIONS

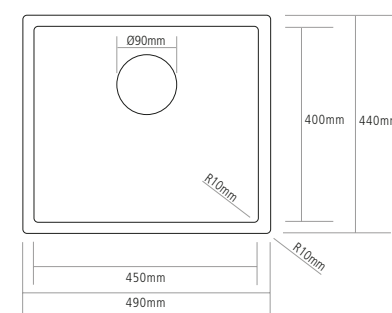
- Bowl depth 200mm
- Min. base unit 500mm
- Inset cut-out size 476 x 426mm

For cut-out shape go to caple.co.uk for template

FITTING OPTIONS



Inset Undermounted



ACCESSORY OPTIONS



FEATURES

- 1.2mm brushed Stainless Steel with PVD Gunmetal Finish
- No tap facility
- 90mm waste outlet for a basket strainer waste
- Suitable for a waste disposer
- Waste and overflow included

PLUMBING OPTION

- Plumbing kit CPK100

DIMENSIONS

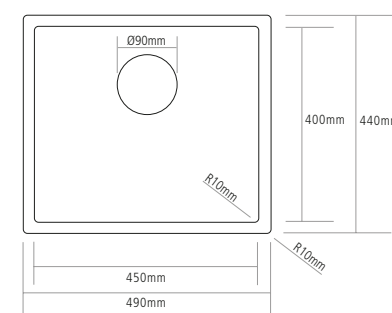
- Bowl depth 200mm
- Min. base unit 500mm
- Inset cut-out size 476 x 426mm

For cut-out shape go to caple.co.uk for template

FITTING OPTIONS



Inset Undermounted



ACCESSORY OPTIONS



FEATURES

- 1.2mm brushed Stainless Steel with PVD Gold Finish
- No tap facility
- 90mm waste outlet for a basket strainer waste
- Suitable for a waste disposer
- Waste and overflow included

PLUMBING OPTION

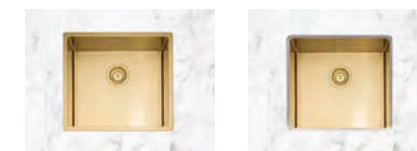
- Plumbing kit CPK100

DIMENSIONS

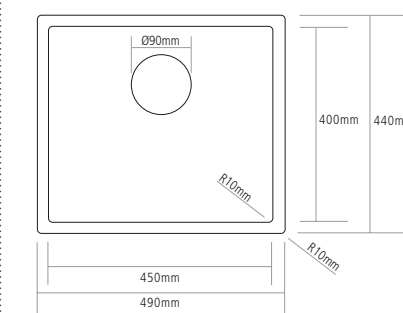
- Bowl depth 200mm
- Min. base unit 500mm
- Inset cut-out size 476 x 426mm

For cut-out shape go to caple.co.uk for template

FITTING OPTIONS



Inset Undermounted



ACCESSORY OPTIONS



WASTE/043

Black Steel 90mm basket strainer waste and overflow



WASTE/033

Copper 90mm basket strainer waste and overflow



WASTE/042

Gold 90mm basket strainer waste and overflow



WASTE/034

Gunmetal 90mm basket strainer waste and overflow



WASTE/043

Black Steel 90mm basket strainer waste and overflow



WASTE/033

Copper 90mm basket strainer waste and overflow



WASTE/042

Gold 90mm basket strainer waste and overflow



WASTE/034

Gunmetal 90mm basket strainer waste and overflow



MODE 3415 BLACK STEEL

MODE 3415 COPPER



MODE3415/R/BS - Inset or Undermount

MODE3415/R/CO - Inset or Undermount

FEATURES

- 1.2mm brushed Stainless Steel with PVD Black Steel finish
- Right handed small bowl
- No tap facility
- 2x 90mm waste outlets for basket strainer wastes
- Suitable for a waste disposer
- Wastes and overflows included

PLUMBING OPTION

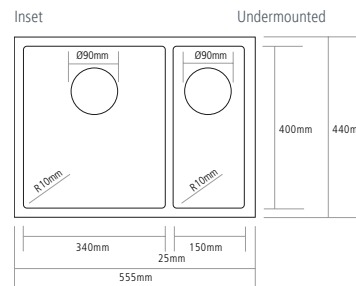
- Plumbing kit CPK200

DIMENSIONS

- Main bowl depth 200mm
- Small bowl depth 135mm
- Min. base unit 600mm
- Inset cut-out size 541 x 426mm

For cut-out shape go to caple.co.uk for template

FITTING OPTIONS



ACCESSORY OPTIONS



FEATURES

- 1.2mm brushed Stainless Steel with PVD Copper Finish
- Right handed small bowl
- No tap facility
- 2x 90mm waste outlets for basket strainer wastes
- Suitable for a waste disposer
- Wastes and overflows included

PLUMBING OPTION

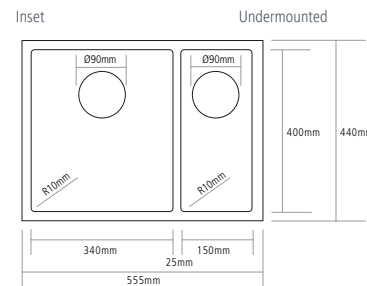
- Plumbing kit CPK200

DIMENSIONS

- Main bowl depth 200mm
- Small bowl depth 135mm
- Min. base unit 600mm
- Inset cut-out size 541 x 426mm

For cut-out shape go to caple.co.uk for template

FITTING OPTIONS



ACCESSORY OPTIONS



MODE 3415 GUNMETAL

MODE 3415 GOLD



MODE3415/R/GM - Inset or Undermount

MODE3415/R/GD - Inset or Undermount

FEATURES

- 1.2mm brushed Stainless Steel with PVD Gunmetal Finish
- Right handed small bowl
- No tap facility
- 2x 90mm waste outlets for basket strainer wastes
- Suitable for a waste disposer
- Wastes and overflows included

PLUMBING OPTION

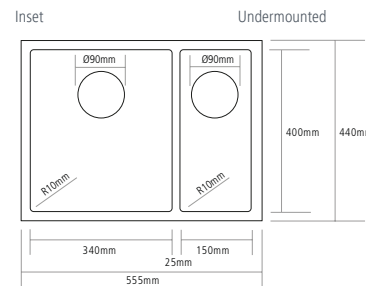
- Plumbing kit CPK200

DIMENSIONS

- Main bowl depth 200mm
- Small bowl depth 135mm
- Min. base unit 600mm
- Inset cut-out size 541 x 426mm

For cut-out shape go to caple.co.uk for template

FITTING OPTIONS



ACCESSORY OPTIONS



FEATURES

- 1.2mm brushed Stainless Steel with PVD Gold Finish
- Right handed small bowl
- No tap facility
- 2x 90mm waste outlets for basket strainer wastes
- Suitable for a waste disposer
- Wastes and overflows included

PLUMBING OPTION

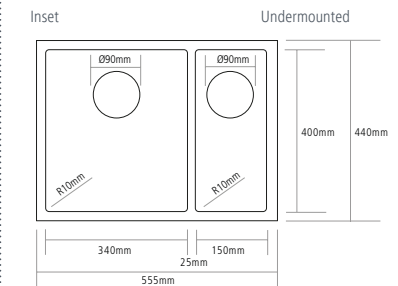
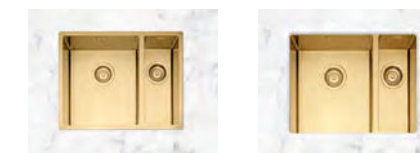
- Plumbing kit CPK200

DIMENSIONS

- Main bowl depth 200mm
- Small bowl depth 135mm
- Min. base unit 600mm
- Inset cut-out size 541 x 426mm

For cut-out shape go to caple.co.uk for template

FITTING OPTIONS



ACCESSORY OPTIONS



WASTE/043

Black Steel 90mm basket strainer waste and overflow



WASTE/033

Copper 90mm basket strainer waste and overflow



WASTE/042

Gold 90mm basket strainer waste and overflow



WASTE/034

Gunmetal 90mm basket strainer waste and overflow



WASTE/043

Black Steel 90mm basket strainer waste and overflow



WASTE/033

Copper 90mm basket strainer waste and overflow



WASTE/042

Gold 90mm basket strainer waste and overflow



WASTE/034

Gunmetal 90mm basket strainer waste and overflow



MODE 451 DRAINER

MODE 251



MODE451 - Inset or Undermount

MODE251 - Inset or Undermount

FEATURES

- 1mm brushed Stainless Steel
- No tap facility
- 90mm waste outlet for a basket strainer waste
- Suitable for a waste disposer
- Waste included

PLUMBING OPTION

- Plumbing kit CPK100

DIMENSIONS

- Drainer depth 25mm
- Min. base unit 500mm
- Inset cut-out size 424 x 474mm

For cut-out shape go to caple.co.uk for template

ACCESSORY OPTIONS



FEATURES

- 1mm brushed Stainless Steel
- No tap facility
- 90mm waste outlet for a basket strainer waste
- Suitable for a waste disposer
- Waste and overflow included

PLUMBING OPTION

- Plumbing kit CPK100

DIMENSIONS

- Bowl depth 200mm
- Min. base unit 300mm
- Inset cut-out size 274 x 424mm

For cut-out shape go to caple.co.uk for template

ACCESSORY OPTIONS



MODE 341

MODE 401



MODE341 - Inset or Undermount

MODE401 - Inset or Undermount

FEATURES

- 1mm brushed Stainless Steel
- No tap facility
- 90mm waste outlet for a basket strainer waste
- Suitable for a waste disposer
- Waste and overflow included

PLUMBING OPTION

- Plumbing kit CPK100

DIMENSIONS

- Bowl depth 200mm
- Min. base unit 400mm
- Inset cut-out size 364 x 424mm

For cut-out shape go to caple.co.uk for template

ACCESSORY OPTIONS



FEATURES

- 1mm brushed Stainless Steel
- No tap facility
- 90mm waste outlet for a basket strainer waste
- Suitable for a waste disposer
- Waste and overflow included

PLUMBING OPTION

- Plumbing kit CPK100

DIMENSIONS

- Bowl depth 200mm
- Min. base unit 450mm
- Inset cut-out size 424 x 424mm

For cut-out shape go to caple.co.uk for template

ACCESSORY OPTIONS

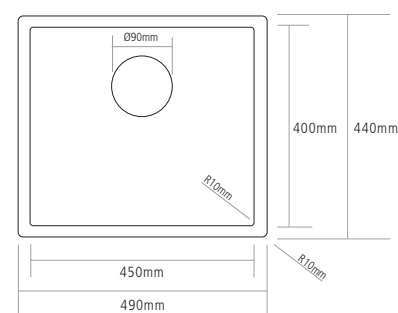


FITTING OPTIONS



Inset

Undermounted

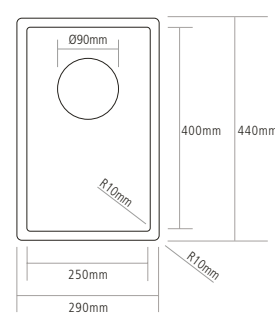


FITTING OPTIONS



Inset

Undermounted

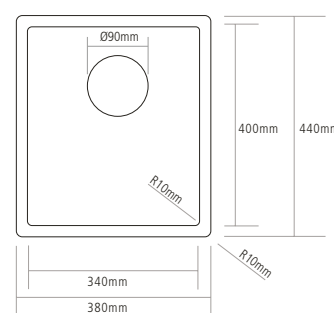


FITTING OPTIONS



Inset

Undermounted

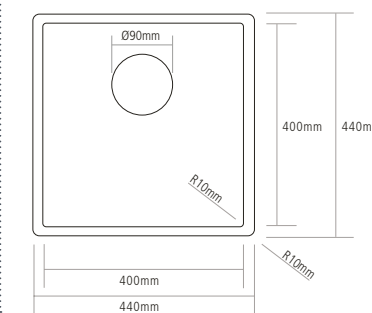


FITTING OPTIONS



Inset

Undermounted



MODE 451

MODE 501



MODE451 - Inset or Undermount

MODE501 - Inset or Undermount

FEATURES

- 1mm brushed Stainless Steel
- No tap facility
- 90mm waste outlet for a basket strainer waste
- Suitable for a waste disposer
- Waste and overflow included

PLUMBING OPTION

- Plumbing kit CPK100

DIMENSIONS

- Bowl depth 200mm
- Min. base unit 500mm
- Inset cut-out size 424 x 474mm

For cut-out shape go to caple.co.uk for template

ACCESSORY OPTIONS

Stainless Steel foldmat
FMAT/SS

Roweca Anthracite chopping board
VACB

Stainless Steel strainer bowl
CSB29SS

Basket strainer waste decorative cover
CWC2

Stainless Steel sink grid
CGRID12

FEATURES

- 1mm brushed Stainless Steel
- No tap facility
- 90mm waste outlet for a basket strainer waste
- Suitable for a waste disposer
- Waste and overflow included

PLUMBING OPTION

- Plumbing kit CPK100

DIMENSIONS

- Bowl depth 200mm
- Min. base unit 600mm
- Inset cut-out size 524 x 424mm

For cut-out shape go to caple.co.uk for template

ACCESSORY OPTIONS

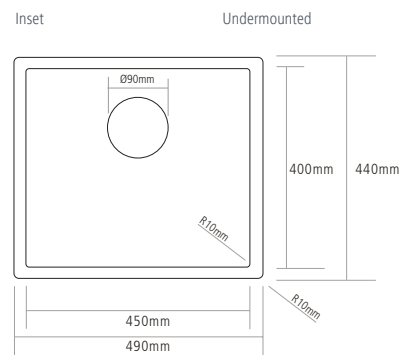
Stainless Steel foldmat
FMAT/SS

Roweca Anthracite chopping board
VACB

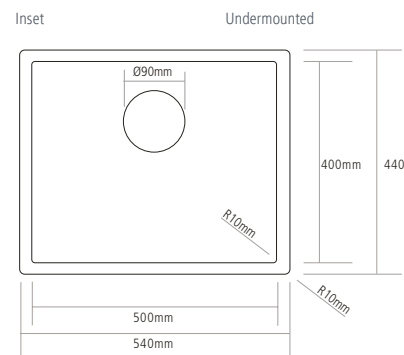
Stainless Steel strainer bowl
CSB29SS

Basket strainer waste decorative cover
CWC2

FITTING OPTIONS



FITTING OPTIONS



MODE 151



Right handed small bowl

MODE151/R - Inset or Undermount with Right Handed Small Bowl

MODE151/L - Inset or Undermount with Left Handed Small Bowl

FEATURES

- 1mm brushed Stainless Steel
- Left or right handed small bowl
- No tap facility
- 2x 90mm waste outlets for basket strainer wastes
- Suitable for a waste disposer
- Wastes, overflows and plumbing kit included

DIMENSIONS

- Main bowl depth 200mm
- Small bowl depth 135mm
- Min. base unit 600mm
- Inset cut-out size 547 x 424mm

For cut-out shape go to caple.co.uk for template

FITTING OPTIONS



ACCESSORY OPTIONS

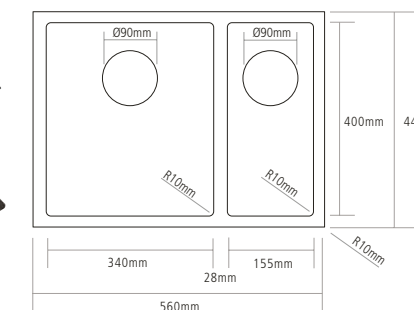
Stainless Steel foldmat
FMAT/SS

Roweca Anthracite chopping board
VACB

Stainless Steel sink grid
CGRID13

Stainless Steel strainer bowl
CSB29SS

Basket strainer waste decorative cover
CWC2



MODE 201

MODE 751



MODE201 - Inset or Undermount

FEATURES

- 1mm brushed Stainless Steel
- No tap facility
- 2x 90mm waste outlets for basket strainer wastes
- Suitable for a waste disposer
- Wastes, overflows and plumbing kit included

DIMENSIONS

- Bowl depth 200mm
- Min. base unit 800mm
- Inset cut-out size 734 x 424mm

For cut-out shape go to caple.co.uk for template

ACCESSORY OPTIONS

Stainless Steel foldmat
FMAT/SS

Roweca Anthracite chopping board
VACB

Stainless Steel sink grid
CGRID13

Stainless Steel strainer bowl
CSB29SS

Basket strainer waste decorative cover
CWC2

MODE751 - Inset or Undermount

FEATURES

- 1mm brushed Stainless Steel
- No tap facility
- 90mm waste outlets for basket strainer waste
- Suitable for a waste disposer
- Wastes, overflows and plumbing kit included

PLUMBING OPTION

- Plumbing kit CPK100

DIMENSIONS

- Bowl depth 200mm
- Min. base unit 800mm
- Inset cut-out size 734 x 424mm

For cut-out shape go to caple.co.uk for template

ACCESSORY OPTIONS

Stainless Steel foldmat
FMAT/SS

Roweca Anthracite chopping board
VACB

Stainless Steel strainer bowl
CSB29SS

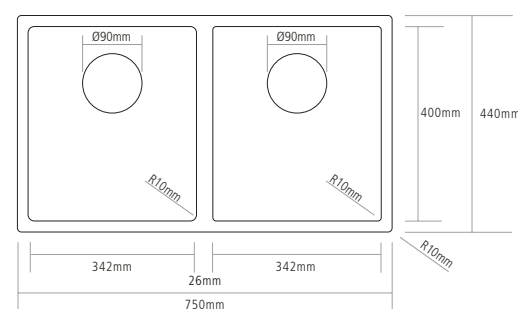
Basket strainer waste decorative cover
CWC2

FITTING OPTIONS



Inset

Undermounted

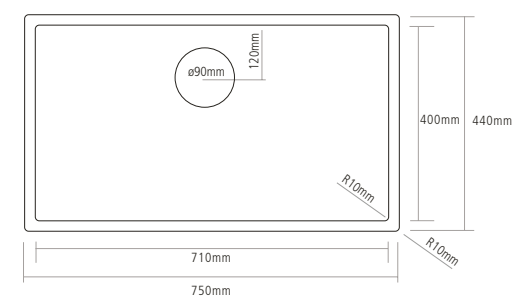


FITTING OPTIONS



Inset

Undermounted

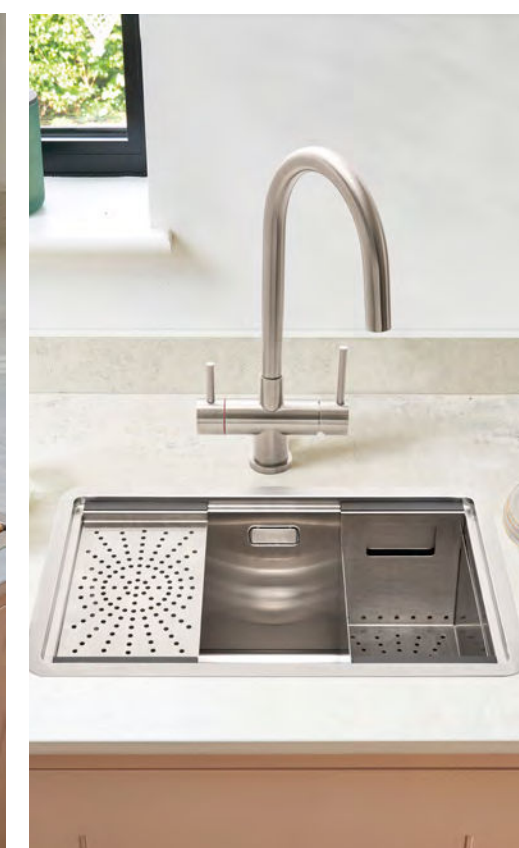


Zona Inset + Undermounted sink.

Discover the ZONA sink collection.

Designed to revolutionise the functionality and aesthetics of your kitchen while optimising your available space. These sinks blend sleek, ultra-modern design with unparalleled practicality, making them the ideal choice for your culinary haven.

Experience unmatched adaptability as the ZONA sinks effortlessly complement any kitchen decor. Whether you prefer an inset or undermounted installation, they integrate flawlessly with your chosen worktop, no matter your kitchen's size or style. But that's not all – the ZONA100 sink includes a colander, cup stand, and bottle holder, while the ZONA200 comes with a colander and chopping board, transforming meal prep into a utility-style masterpiece.





ZONA 100



Stainless Steel colander [included]

Beech chopping board CCB3 [sold separately]

Stainless Steel colander, cup stand and bottle holder [included]

ZONA100 - Inset or Undermount

FEATURES

- 1.2mm brushed Stainless Steel
- No tap facility
- 90mm waste outlet for a basket strainer waste
- Suitable for a waste disposer
- Waste and overflow included
- Colander, cup stand and bottle holder included

PLUMBING OPTION

- Plumbing kit required CPK100

DIMENSIONS

- Sink depth 191mm
 - Overall depth 203mm
 - Min. base unit 500mm
 - Inset cut-out size 484 x 288mm
- For cut-out shape go to caple.co.uk for template

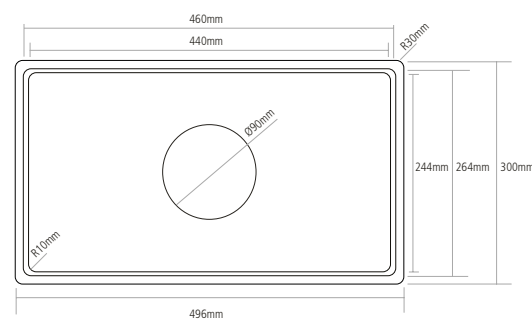
FITTING OPTIONS



Inset



Undermounted



ACCESSORY OPTIONS

Custom chopping board CCB3



Basket strainer waste decorative cover CWC2



ZONA 200



Stainless Steel colander and bamboo chopping board [included]

Stainless Steel colander [included]

Bamboo chopping board [included]

ZONA200 - Inset or Undermount

FEATURES

- Low profile 1.2mm brushed Stainless Steel
- No tap facility
- 2x 90mm waste outlets for basket strainer wastes
- Suitable for a waste disposer
- Waste kit, overflow and plumbing kit included
- Colander and chopping board included

DIMENSIONS

- Sink depth 200mm
 - Overall depth 206mm
 - Min. base unit 800mm
 - Inset cut-out size 746 x 441mm
- For cut-out shape go to caple.co.uk for template

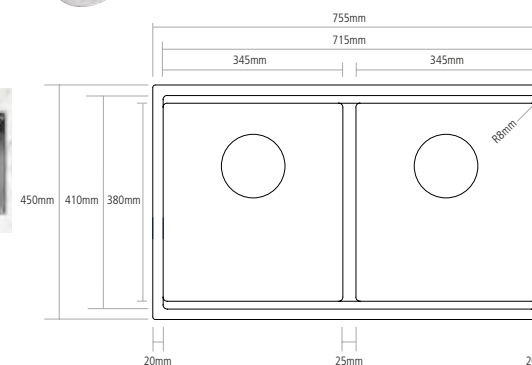
FITTING OPTIONS



Inset



Undermounted



ACCESSORY OPTIONS

Stainless Steel fold matt FMAT/SS



Basket strainer waste decorative cover CWC2



Axle Inset + Undermounted Sinks.

The Axle sink includes a steel colander and a wooden chopping board, both of which are specially designed to fit the bowl perfectly.

Each accessory sits side-by-side on a small ledge making it quick and easy to chop, drain and rinse freely.

The Axle sink is ideal for apartment living, freeing up valuable worktop areas when space-saving is key.



AXLE 50



AXL50 - Inset or Undermounted

FEATURES

- 1mm Stainless Steel
- No tap facility
- 90mm waste kit, overflow and plumbing kit included
- Colander and chopping board for bowl ledge included
- Suitable for a waste disposer

DIMENSIONS

- Bowl depth 200mm
- Min. base unit 600mm
- Inset cut-out size 420 x 520mm
- Undermount cut-out size 405 x 505mm

For cut-out shape go to caple.co.uk for template

FITTING OPTIONS



Inset

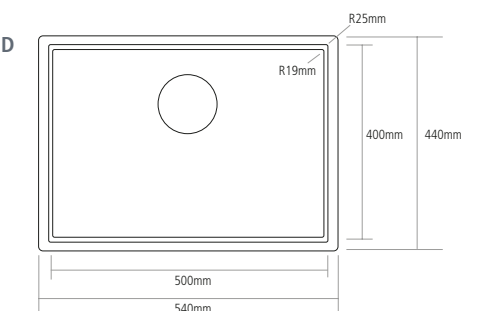


Undermounted

ACCESSORIES INCLUDED



Stainless Steel colander and beech chopping board



Zero Individual + Multiple Bowls.

For the razor-sharp, minimalist look adopted by designer kitchen aficionados, nothing is better than Zero. These bowls feature crisp square edges and clean lines in an uncluttered design.

LOOKING SHARP

The clean lines and minimalist styling of our Zero sinks suit modern kitchens to a tee. Featuring a unique angular bowl with a zero degree radius and tapered base, they'll take your designer kitchen to a new level.

PERFECT FIT

The striking geometric bowls come in many sizes and can be inset or undermounted for countless creative possibilities. With multiple bowls and a sleek shallow drainer also available you can let your imagination run riot.

Team a Zero bowl with a matching drainer, adding a unique touch to your kitchen. If you're really out to impress why not try a combination of two Zero sinks and a matching drainer.



ZERO 45 DRAINER



ZERO 20



ZEROD45 - Inset or Undermount

FEATURES

- 1mm brushed Stainless Steel
- No tap facility
- 90mm waste outlet for a basket strainer waste
- Suitable for a waste disposer
- Waste included

ACCESSORY OPTIONS

Stainless Steel foldmat
FMAT/SS

Basket strainer waste decorative cover
CWC2

PLUMBING OPTION

- Plumbing kit CPK100

DIMENSIONS

- Drainer depth 25mm
- Min. base unit 500mm
- Undermount cut-out size 450 x 400mm
- Inset cut-out size 479 x 429mm

For cut-out shape go to caple.co.uk for template

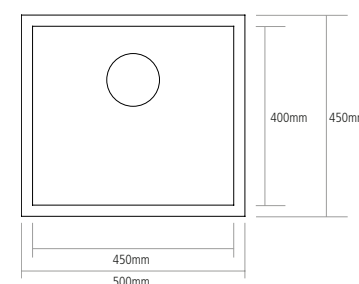
FITTING OPTIONS



Inset



Undermounted



ZERO20 - Inset or Undermounted

FEATURES

- 1mm brushed Stainless Steel
- No tap facility
- 90mm waste outlet for a basket strainer waste
- Suitable for a waste disposer
- Waste and overflow included

ACCESSORY OPTIONS

Stainless Steel foldmat
FMAT/SS

Roweca Anthracite chopping board
VACB

Stainless Steel strainer bowl
CSB29SS

Basket strainer waste decorative cover
CWC2

PLUMBING OPTION

- Plumbing kit CPK100

DIMENSIONS

- Bowl depth 140mm
- Min. base unit 300mm
- Undermount cut-out size 200 x 400mm
- Inset cut-out size 229 x 429mm

For cut-out shape go to caple.co.uk for template

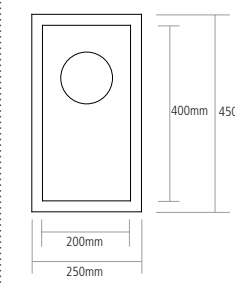
FITTING OPTIONS



Inset



Undermounted



ZERO 35

ZERO 45



ZERO35 - Inset or Undermount

FEATURES

- 1mm brushed Stainless Steel
- No tap facility
- 90mm waste outlet for a basket strainer waste
- Suitable for a waste disposer
- Waste and overflow included

PLUMBING OPTION

- Plumbing kit CPK100

DIMENSIONS

- Bowl depth 200mm
- Min. base unit 400mm
- Undermount cut-out size 350 x 400mm
- Inset cut-out size 379 x 429mm
- For cut-out shape go to caple.co.uk for template

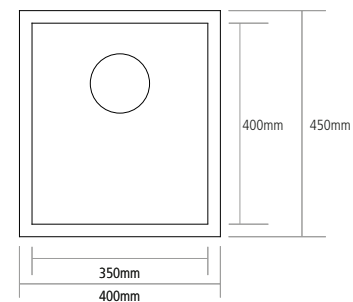
ACCESSORY OPTIONS



FITTING OPTIONS



Inset Undermounted



ZERO45 - Inset or Undermount

FEATURES

- 1mm brushed Stainless Steel
- No tap facility
- 90mm waste outlet for a basket strainer waste
- Suitable for a waste disposer
- Waste and overflow included

PLUMBING OPTION

- Plumbing kit CPK100

DIMENSIONS

- Bowl depth 200mm
- Min. base unit 500mm
- Undermount cut-out size 450 x 400mm
- Inset cut-out size 479 x 429mm
- For cut-out shape go to caple.co.uk for template

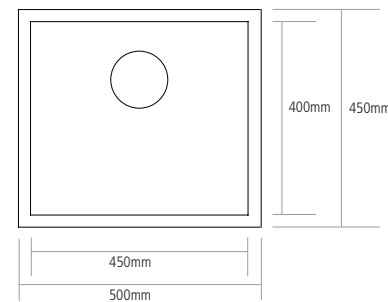
ACCESSORY OPTIONS



FITTING OPTIONS



Inset Undermounted



ZERO 55

ZERO 150



Right handed small bowl

ZERO55 - Inset or Undermount

FEATURES

- 1mm brushed Stainless Steel
- No tap facility
- 90mm waste outlet for a basket strainer waste
- Suitable for a waste disposer
- Waste and overflow included

PLUMBING OPTION

- Plumbing kit CPK100

DIMENSIONS

- Bowl depth 200mm
- Min. base unit 600mm
- Undermount cut-out size 550 x 400mm
- Inset cut-out size 579 x 429mm
- For cut-out shape go to caple.co.uk for template

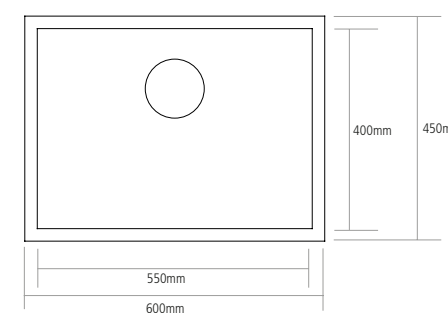
ACCESSORY OPTIONS



FITTING OPTIONS



Inset Undermounted



ZERO150R - Inset or Undermount

ZERO150L - Inset or Undermount

FEATURES

- 1mm brushed Stainless Steel
- Left or right handed small bowl
- No tap facility
- 2x 90mm waste outlets for basket strainer wastes
- Suitable for a waste disposer
- Wastes, overflows and plumbing kit included

DIMENSIONS

- Main bowl depth 200mm
- Small bowl depth 140mm
- Min. base unit 600mm
- Undermount cut-out size 546 x 400mm
- Inset cut-out size 575 x 429mm
- For cut-out shape go to caple.co.uk for template

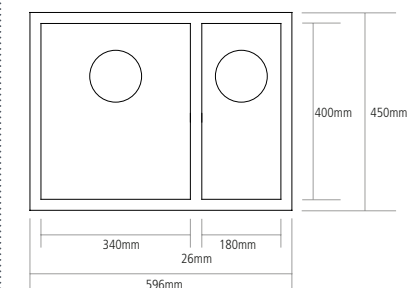
ACCESSORY OPTIONS



FITTING OPTIONS



Inset Undermounted





Form Individual + Multiple Bowls.

With it's rounded design the Form collection combines the advantages of Stainless Steel with traditional styling.

The charming, individual bowls come in a selection of shapes and sizes. Or if you want a more personalised combination of sinks you can choose from our multiple bowl options.

You have the choice of an undermounted sink for use with wooden, granite or solid surface worktops, or one of our inset models that can be used with laminate surfaces.

Crafted from Stainless Steel, Form sinks will keep their good looks whatever you throw at them. Practical, stylish and functional, this collection meets the most demanding kitchen criteria.

FORM 17



FORM17 - Undermount

FEATURES

- 0.8mm satin Stainless Steel
- No tap facility
- 90mm waste outlet for a basket strainer waste
- Suitable for a waste disposer
- Waste and overflow included

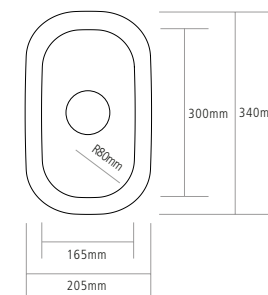
PLUMBING OPTION

- Plumbing kit CPK100

DIMENSIONS

- Bowl depth 140mm
- Min. base unit 300mm

For cut-out shape go to caple.co.uk for template



FORM 33



FORM33 - Undermount

FEATURES

- 1mm satin Stainless Steel
- No tap facility
- 90mm waste outlet for a basket strainer waste
- Suitable for a waste disposer
- Waste and overflow included

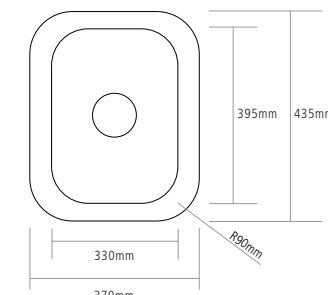
PLUMBING OPTION

- Plumbing kit CPK100

DIMENSIONS

- Bowl depth 180mm
- Min. base unit 400mm

For cut-out shape go to caple.co.uk for template



ACCESSORY OPTIONS

Stainless Steel strainer bowl
CSB2SS



Basket strainer waste decorative cover
CWC2

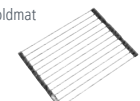


ACCESSORY OPTIONS

Chrome basket
CMBB31CH



Stainless Steel foldmat
FMAT/SS



Basket strainer waste decorative cover
CWC2



FORM 42

FORM 52



FORM42 - Undermount

FEATURES

- 1mm satin Stainless Steel
- No tap facility
- 90mm waste outlet for a basket strainer waste
- Suitable for a waste disposer
- Waste and overflow included

PLUMBING OPTION

- Plumbing kit required CPK100

DIMENSIONS

- Main bowl depth 190mm
- Min. base unit 500mm

For cut-out shape go to caple.co.uk for template

ACCESSORY OPTIONS



FORM52 - Undermount

FEATURES

- 1mm satin Stainless Steel
- No tap facility
- 90mm waste outlet for a basket strainer waste
- Suitable for a waste disposer
- Waste and overflow included

PLUMBING OPTION

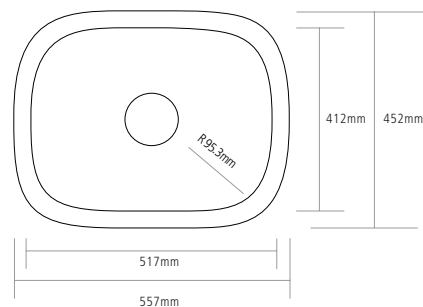
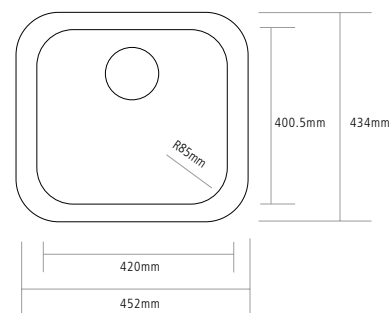
- Plumbing kit required CPK100

DIMENSIONS

- Bowl depth 230mm
- Min. base unit 600mm

For cut-out shape go to caple.co.uk for template

ACCESSORY OPTIONS



FORM 150

FORM 150UNI



Right handed small bowl

Universal small bowl

FORM150R - Undermount Right Handed Small Bowl
FORM150L - Undermount Left Handed Small Bowl

FEATURES

- 1mm satin Stainless Steel
- Left or right handed small bowl
- No tap facility
- 2x 90mm waste outlets for basket strainer wastes
- Suitable for a waste disposer
- Wastes, overflows and plumbing kit included

DIMENSIONS

- Main bowl depth 180mm
- Small bowl depth 125mm
- Min. base unit 600mm

For cut-out shape go to caple.co.uk for template

CONFIGURATION OPTION



Left handed small bowl

ACCESSORY OPTIONS



FORM150UNI - Undermount

FEATURES

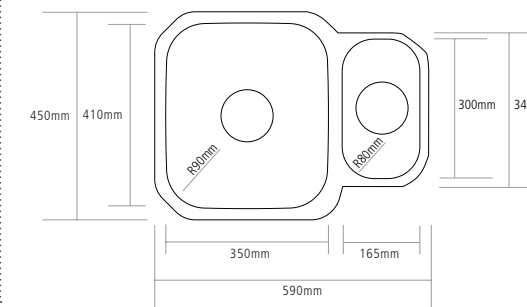
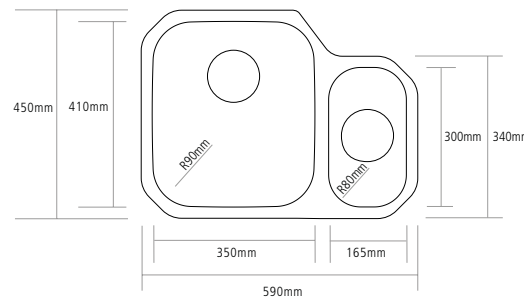
- 1mm satin Stainless Steel
- No tap facility
- 2x 90mm waste outlets for basket strainer wastes
- Suitable for a waste disposer
- Wastes, overflow and plumbing kit included

DIMENSIONS

- Main bowl depth 180mm
- Small bowl depth 125mm
- Min. base unit 600mm

For cut-out shape go to caple.co.uk for template

ACCESSORY OPTIONS



FORM 45

FORM 45 DRAINER



BI45 - Inset or Undermount

FEATURES

- 0.8mm satin Stainless Steel
- No tap facility
- 90mm waste outlet for a basket strainer waste
- Suitable for a waste disposer
- Waste and overflow included

ACCESSORY OPTIONS

Basket strainer waste decorative cover
CWC2



PLUMBING OPTIONS

- Plumbing kit CPK100
- Plumbing kit CPK200 if combined with DI45

DIMENSIONS

- Bowl depth 180mm
- Min. base unit 500mm
- Inset cut out size ø430mm

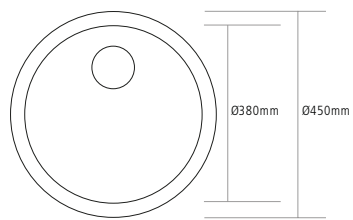
FITTING OPTIONS



Inset



Undermounted



DI45 - Inset or Undermount Drainer

FEATURES

- 1mm satin Stainless Steel
- 90mm waste outlet for a basket strainer waste

PLUMBING OPTIONS

- Plumbing kit CPK100
- Plumbing kit CPK200 if combined with BI45

DIMENSIONS

- Drainer depth 40mm
- Min. base unit 500mm
- Inset cut out size ø430mm

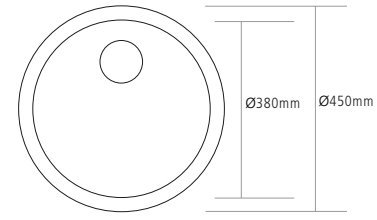
FITTING OPTIONS



Inset



Undermounted



ACCESSORY OPTIONS

Basket strainer waste decorative cover
CWC2



Designed to accompany the round inset Form 45 bowl the handy inset Form drainer is a great way to add interest to your sink design. The sink and matching drainer combined create a perfectly symmetrical, truly classic look.



FORM 3636



FORM3636 - Undermount

FEATURES

- 1mm satin Stainless Steel
- No tap facility
- 2x 90mm waste outlets for basket strainer wastes
- Suitable for a waste disposer
- Wastes, overflows and plumbing kit included

DIMENSIONS

- Bowl depths 210mm
- Min. base unit 900mm

For cut-out shape go to caple.co.uk for template

ACCESSORY OPTIONS

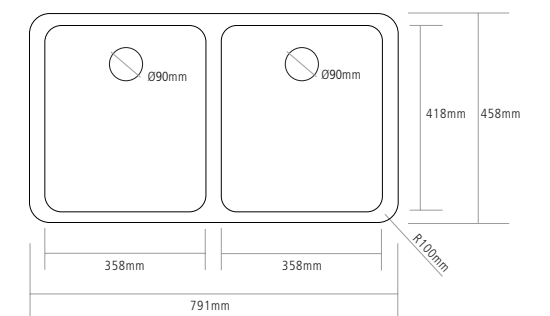
2 x Basket strainer waste decorative cover
CWC2



Stainless Steel foldmat
FMAT/SS



Chrome main bowl basket
CMBB31CH





Inset + Sit-on Sinks.

LOW PROFILE

Low profile sink edges create a seamlessly, sleek look. Choose a sink featuring a low profile edge of 1mm or less to achieve a smooth, almost flush, appearance.

PERFECT FIT

Inset sinks are the only sink that can be neatly fitted into any surface type.

TO THE LEFT?

Do you need a drainer on the left or right side? With many of these sinks you have the flexibility to choose. For a conventional look, go with a single bowl with drainer. Or for something a little different, try a one and a half bowl.

BELFAST



BELFAST DOUBLE BOWL



BELSS - Sit-on

FEATURES

- 1.2mm brushed Stainless Steel
- 90mm waste outlet for a basket strainer waste
- Suitable for a waste disposer
- Waste and overflow included

PLUMBING OPTION

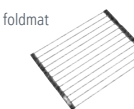
- Plumbing kit CPK100

DIMENSIONS

- Bowl depth 229mm
- Overall sink depth 254mm
- Min. base unit 600mm

ACCESSORY OPTIONS

Stainless Steel foldmat
FMAT/SS



Universal wooden chopping board
CBB3040



Chrome sink grid
CGRID7



Basket strainer waste decorative cover
CWC2



BEL20SS - Sit-on

FEATURES

- 1.2mm brushed Stainless Steel
- 2x 90mm waste outlets for a basket strainer wastes
- Suitable for a waste disposer
- Waste and overflow included

PLUMBING OPTION

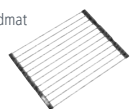
- Plumbing kit CPK200

DIMENSIONS

- Bowl depth 200mm
- Overall sink depth 220mm
- Min. base unit 800mm

ACCESSORY OPTIONS

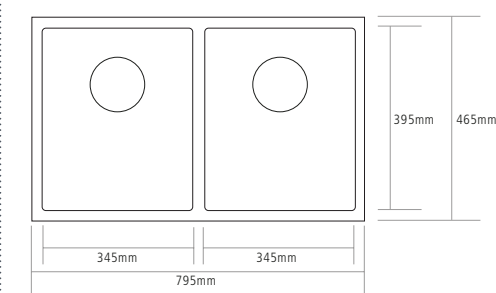
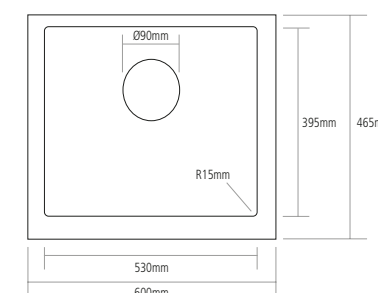
Stainless Steel foldmat
FMAT/SS



Universal wooden chopping board
CBB3040



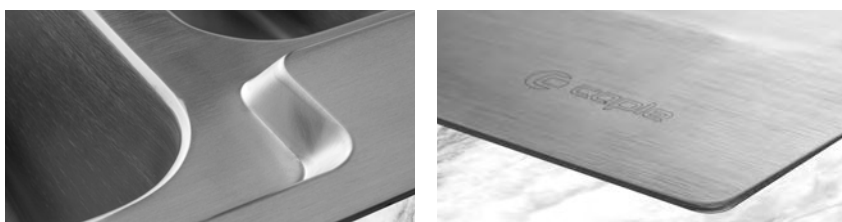
2x Basket strainer waste decorative cover
CWC2



Rello Inset Sinks.

Unique design and a superb low profile sleek edge that can also be flush mounted.

To create a seamless finish Rello sinks have a discreet 0.9mm low profile edge which can be flush mounted to achieve a beautifully smooth fit.



RELLO 100



REL100L - Inset with Left Handed Drainer
REL100R - Inset with Right Handed Drainer

FEATURES

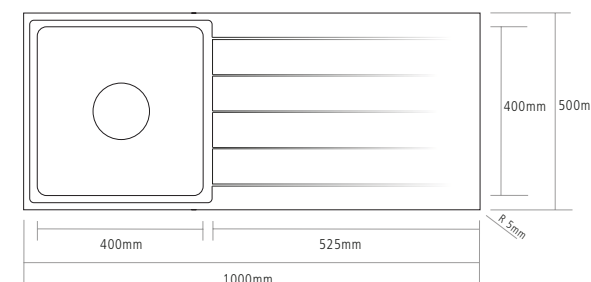
- Bowl 0.8mm, frame and drainer 0.9mm satin Stainless Steel
- Left or right handed drainer
- 1 Punched tap hole
- 90mm waste outlet for a basket strainer waste
- Suitable for a waste disposer
- Low profile 0.9mm edge allowing for flush mounted installation
- Waste and overflow included

PLUMBING OPTION

- Plumbing kit CPK100

DIMENSIONS

- Bowl depth 195mm
- Min. base unit 600mm
- Cut-out size 980 x 480mm



RELLO 150



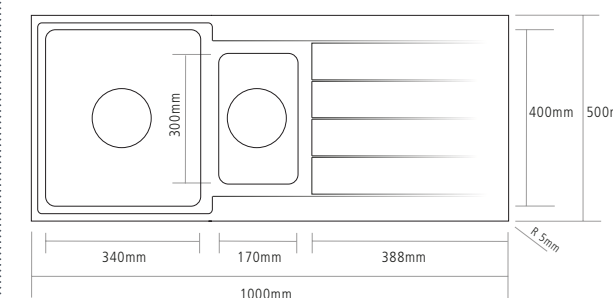
REL150L - Inset with Left Handed Drainer
REL150R - Inset with Right Handed Drainer

FEATURES

- Bowl 0.8mm, frame and drainer 0.9mm satin Stainless Steel
- Left or right handed drainer
- 1 Punched tap hole
- 2 90mm waste outlets for basket strainer wastes
- Suitable for a waste disposer
- Low profile 0.9mm edge allowing for flush mounted installation
- Waste, overflow and plumbing kit included

DIMENSIONS

- Main bowl depth 195mm
- Small bowl depth 175mm
- Min. base unit 600mm
- Cut-out size 980 x 480mm



ACCESSORY OPTIONS

- Stainless Steel foldmat **FMAT/SS**
- Roweca Anthracite chopping board **VACB**
- Chrome sink basket **CMBB19CH**
- Basket strainer waste decorative cover **CWC2**

ACCESSORY OPTIONS

- Stainless Steel foldmat **FMAT/SS**
- Roweca Anthracite chopping board **VACB**
- Chrome main bowl basket **CMBB1CH**
- Chrome sink grid **CGRID6**
- 2x Basket strainer waste decorative cover **CWC2**

NADA 100

NADA 150



NA100/L - Inset or Undermount with Left Handed Drainer
NA100/R - Inset or Undermount with Right Handed Drainer

FEATURES

- Bowl frame 1.2mm satin Stainless Steel
- Edge profile thickness 1mm
- Left or right handed drainer
- 90mm waste outlet for a basket strainer waste
- Suitable for a waste disposer
- Waste and overflow included
- Decorative waste cover included [CWC2]

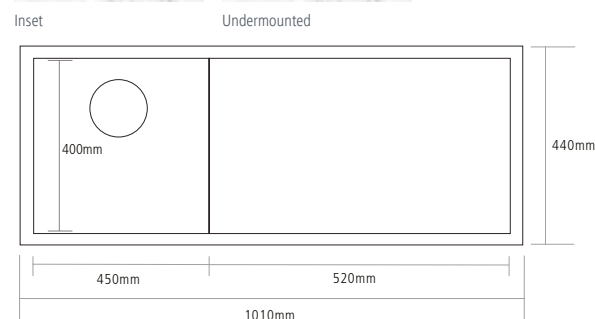
PLUMBING OPTION

- Plumbing kit CPK100

DIMENSIONS

- Bowl depth 200mm
- Min. base unit 600mm
- Inset cut-out size 990 x 420mm
- Undermount cut-out size 970 x 400mm

FITTING OPTION



ACCESSORY OPTIONS



FEATURES

- Bowl frame 1.2mm satin Stainless Steel
- Edge profile thickness 1mm
- Left or right handed drainer
- 2 90mm waste outlets for basket strainer wastes
- Suitable for a waste disposer
- Wastes and overflows included
- Decorative waste cover included [2 x CWC2]

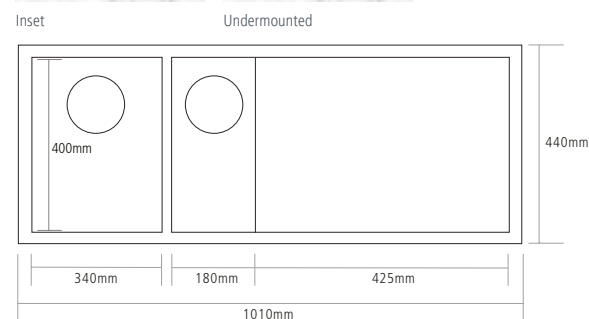
PLUMBING OPTION

- Plumbing kit CPK100

DIMENSIONS

- Main bowl depth 200mm
- Small bowl depth 150mm
- Min. base unit 600mm
- Inset cut-out size 990 x 420mm
- Undermount cut-out size 970 x 400mm

FITTING OPTION



ACCESSORY OPTIONS



CUBIT 100

CUBIT 150



CU100/L - Inset with Left Handed Drainer
CU100/R - Inset with Right Handed Drainer

CU150/L - Inset with Left Handed Drainer
CU150/R - Inset with Right Handed Drainer

FEATURES

- Bowl frame 1.2mm satin Stainless Steel
- Edge profile thickness 1mm
- Left or right handed drainer
- 1 Punched tap hole
- 90mm waste outlet for a basket strainer waste
- Suitable for a waste disposer
- Waste and overflow included

PLUMBING OPTION

- Plumbing kit CPK100

DIMENSIONS

- Bowl depth 200mm
- Min. base unit 600mm
- Cut-out size 975 x 495mm

ACCESSORY OPTIONS



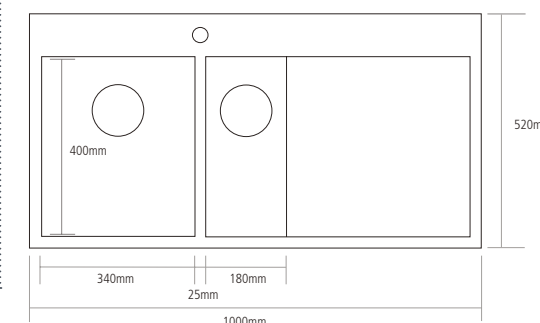
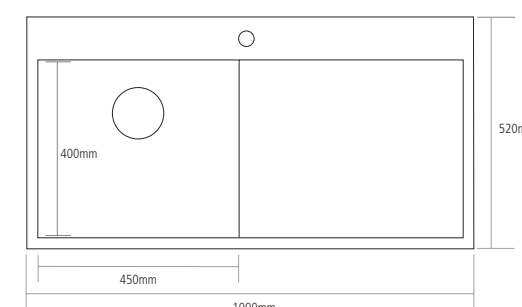
FEATURES

- Bowl frame 1.2mm satin Stainless Steel
- Edge profile thickness 1mm
- Left or right handed drainer
- 1 Punched tap hole
- 2 90mm waste outlets for basket strainer wastes
- Suitable for a waste disposer
- Wastes, overflows and plumbing kit included

DIMENSIONS

- Main bowl depth 200mm
- Small bowl depth 150mm
- Min. base unit 600mm
- Cut-out size 975 x 495mm

ACCESSORY OPTIONS



VERTICE 100



VERTICE 150



VER100L - Inset with Left Handed Drainer
VER100R - Inset with Right Handed Drainer

FEATURES

- 0.9mm brushed Stainless Steel
- Low profile cut edge detail
- Left or right handed drainer
- 1 Punched tap hole
- 90mm waste outlet for a basket strainer waste
- Suitable for a waste disposer
- Waste and overflow included

PLUMBING OPTION

- Plumbing kit CPK100

DIMENSIONS

- Bowl depth 190mm
- Min. base unit 600mm
- Overall sink depth 205mm
- Cut-out size 982 x 482mm

ACCESSORY OPTIONS



VER150L - Inset with Left Handed Drainer
VER150R - Inset with Right Handed Drainer

FEATURES

- 0.9mm brushed Stainless Steel
- Low profile cut edge detail
- Left or right handed drainer
- 1 Punched tap hole
- 2 90mm waste outlets for basket strainer wastes
- Suitable for a waste disposer
- Waste, overflow and connection kit included

PLUMBING OPTION

- Plumbing kit CPK100

DIMENSIONS

- Main bowl depth 190mm
- Small bowl depth 110mm
- Min. base unit 600mm
- Overall sink depth 205mm
- Cut-out size 982 x 482mm

ACCESSORY OPTIONS



LYON 100



LYON 150



LY100SS/L - Inset with Left Handed Drainer
LY100SS/R - Inset with Right Handed Drainer

FEATURES

- Bowl 0.8 mm frame 0.9mm satin Stainless Steel
- Left or right handed drainer
- 1 Punched tap hole
- 90mm waste outlet for a basket strainer waste
- Suitable for a waste disposer
- Waste and overflow included

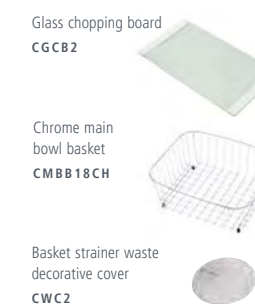
PLUMBING OPTION

- Plumbing kit CPK100

DIMENSIONS

- Bowl depth 200mm
- Min. base unit 600mm
- Cut-out size 978 x 480mm

ACCESSORY OPTIONS



LY150SS/L - Inset with Left Handed Drainer
LY150SS/R - Inset with Right Handed Drainer

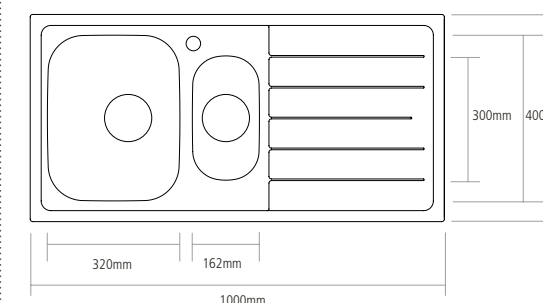
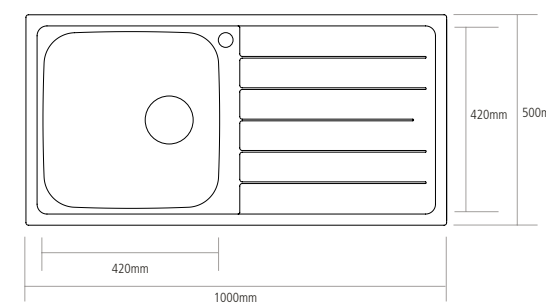
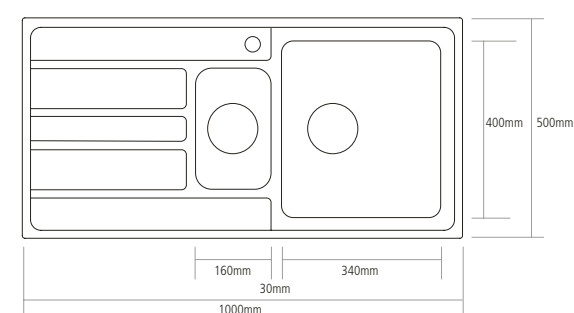
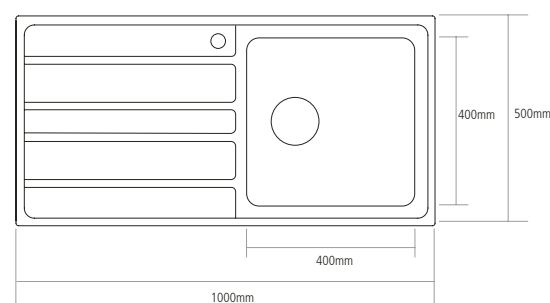
FEATURES

- Bowl 0.8 mm frame 0.9mm satin Stainless Steel
- Left or right handed drainer
- 1 Punched tap hole
- 2 90mm waste outlets for basket strainer wastes
- Suitable for a waste disposer
- Waste, overflow and plumbing kit included

DIMENSIONS

- Main bowl depth 200mm
- Small bowl depth 128mm
- Min. base unit 600mm
- Cut-out size 978 x 480mm

ACCESSORY OPTIONS



VANGA 90



VANGA 100



VA90/L - Inset with Left Handed Drainer
VA90/R - Inset with Right Handed Drainer

FEATURES

- 0.8mm satin Stainless Steel
- Left or right handed drainer
- 1 Punched tap hole
- 90mm waste outlet for a basket strainer waste
- Suitable for a waste disposer
- Waste and overflow included

PLUMBING OPTION

- Plumbing kit CPK100

DIMENSIONS

- Main bowl depth 200mm
- Min. base unit 500mm
- Cut-out size 780 x 480mm

ACCESSORY OPTIONS

Roweca Anthracite chopping board
VACB

Chrome sink grid
CGRID6

Basket strainer waste decorative cover
CWC2

VA100/L - Inset with Left Handed Drainer
VA100/R - Inset with Right Handed Drainer

FEATURES

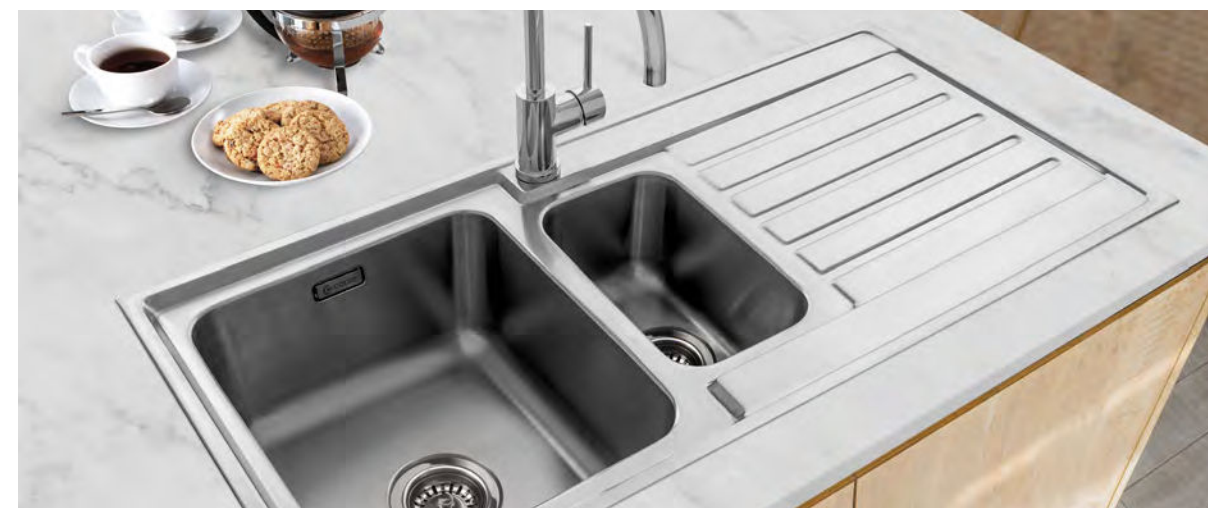
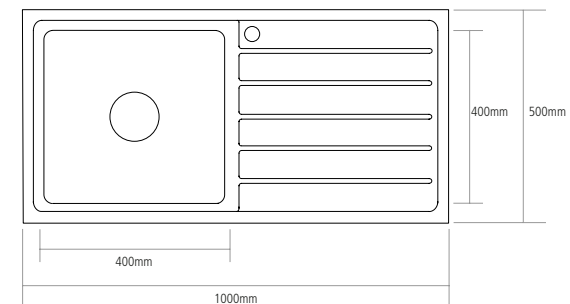
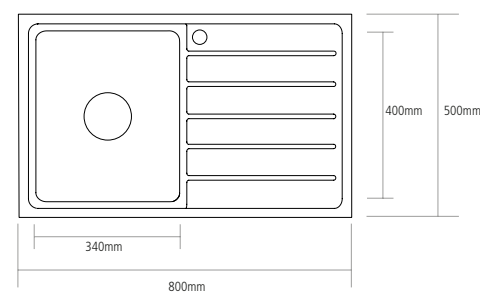
- 0.8mm satin Stainless Steel
- Left or right handed drainer
- 1 Punched tap hole
- 90mm waste outlet for a basket strainer waste
- Suitable for a waste disposer
- Waste and overflow included

PLUMBING OPTION

- Plumbing kit CPK100

DIMENSIONS

- Bowl depth 200mm
- Min. base unit 600mm
- Cut-out size 980 x 480mm



VANGA 150



VA150/L - Inset with Left Handed Drainer
VA150/R - Inset with Right Handed Drainer

FEATURES

- 0.8mm satin Stainless Steel
- Left or right handed drainer
- 1 Punched tap hole
- 2x 90mm waste outlets for basket strainer wastes
- Suitable for a waste disposer
- Wastes, overflow and plumbing kit included

DIMENSIONS

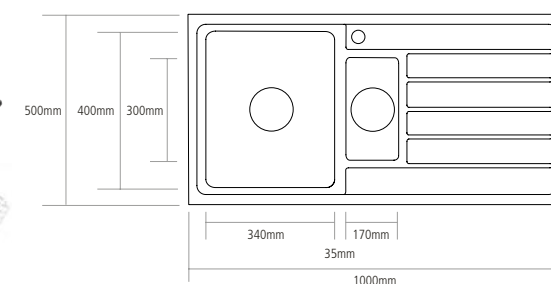
- Main bowl depth 200mm
- Small bowl depth 175mm
- Min. base unit 600mm
- Cut-out size 980 x 480mm

ACCESSORY OPTIONS

Roweca Anthracite chopping board
VACB

Chrome sink grid
CGRID6

2 x Basket strainer waste decorative cover
CWC2



BLAZE 100**BLAZE 150****BZ100/L** - Inset with Left Handed Drainer**FEATURES**

- Bowl 0.8 mm frame 1mm satin Stainless Steel
- 1mm low profile edge
- 1 Punched tap hole
- 90mm waste outlet for a basket strainer waste
- Suitable for a waste disposer
- Waste and overflow included

PLUMBING OPTION

- Plumbing kit CPK100

DIMENSIONS

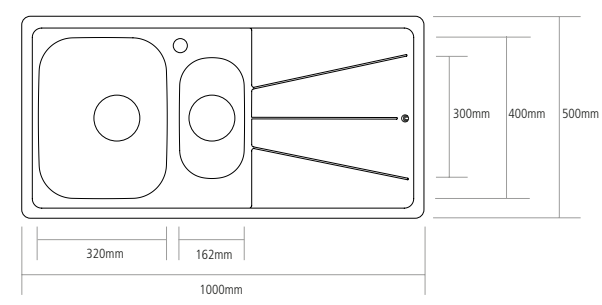
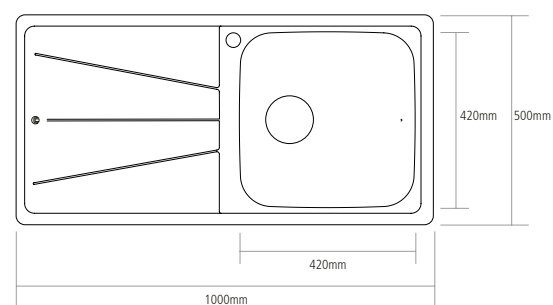
- Bowl depth 200mm
- Min. base unit 600mm
- Cut-out size 978 x 480mm

ACCESSORY OPTIONS**FEATURES**

- Bowl 0.8 mm frame 1mm satin Stainless Steel
- 1mm low profile edge
- Left or right handed drainer
- 1 Punched tap hole
- 2x 90mm waste outlets for basket strainer wastes
- Suitable for a waste disposer
- Wastes, overflow and plumbing kit included

DIMENSIONS

- Main bowl depth 200mm
- Small bowl depth 128mm
- Min. base unit 600mm
- Cut-out size 978 x 480mm

ACCESSORY OPTIONS**DOVE 100****DOVE 150****DO100SS** - Inset with Drainer**FEATURES**

- 0.7mm satin Stainless Steel
- Reversible
- 2x Punched tap holes [one for tap hole stopper]
- 90mm waste outlet for a basket strainer waste
- Suitable for a waste disposer
- Waste and overflow included

PLUMBING OPTION

- Plumbing kit CPK100

DIMENSIONS

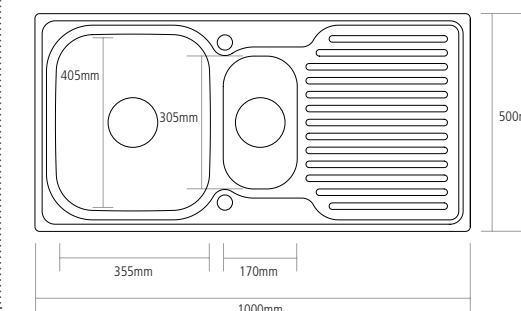
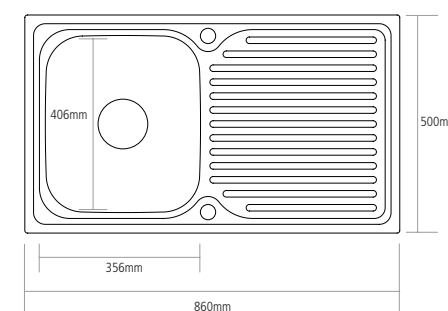
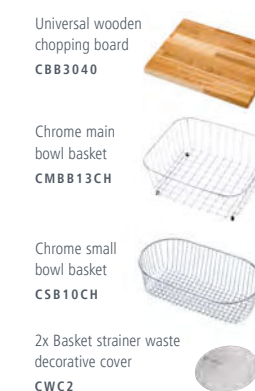
- Bowl depth 180mm
- Min. base unit 450mm
- Cut-out size 838 x 480mm

ACCESSORY OPTIONS**FEATURES**

- 0.7mm satin Stainless Steel
- Reversible
- 2x Punched tap holes [one for tap hole stopper]
- 2x 90mm waste outlets for basket strainer wastes
- Suitable for a waste disposer
- Wastes, overflow and plumbing kit included

DIMENSIONS

- Main bowl depth 180mm
- Small bowl depth 128mm
- Min. base unit 600mm
- Cut-out size 978 x 480mm

ACCESSORY OPTIONS

CRANE 91



CRANE 101



CR91SS - Inset with Drainer

FEATURES

- 0.5mm satin Stainless Steel
- Reversible
- 2 Punched tap holes [one for tap hole stopper]
- 90mm waste outlet for a basket strainer waste
- Suitable for a waste disposer
- Waste and overflow included

PLUMBING OPTION

- Plumbing kit CPK100

DIMENSIONS

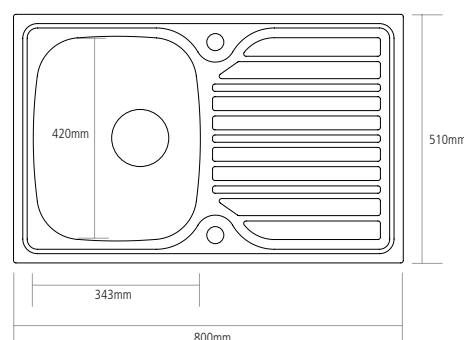
- Bowl depth 155mm
- Min. base unit 450mm
- Cut-out size 776 x 486mm

ACCESSORY OPTIONS

Universal wooden chopping board
CBB3040

Chrome main bowl basket
CMBB31CH

Basket strainer waste decorative cover
CWC2



CR101SS - Inset with Drainer

FEATURES

- 0.5mm satin Stainless Steel
- Reversible
- 2 Punched tap holes [one for tap hole stopper]
- 90mm waste outlet for a basket strainer waste
- Suitable for a waste disposer
- Waste and overflow included

PLUMBING OPTION

- Plumbing kit CPK100

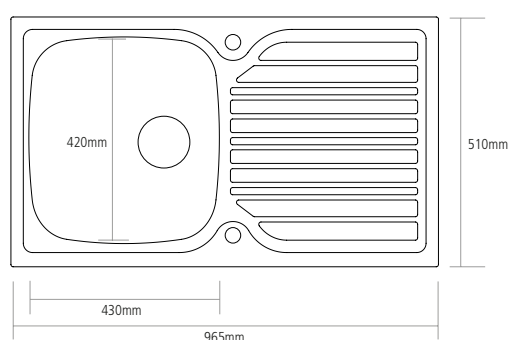
DIMENSIONS

- Main bowl depth 160mm
- Min. base unit 600mm
- Cut-out size 941 x 486mm

ACCESSORY OPTIONS

Universal wooden chopping board
CBB3040

Basket strainer waste decorative cover
CWC2



CRANE 151



CR151SS - Inset with Drainer

FEATURES

- 0.5mm satin Stainless Steel
- Reversible
- 2x Punched tap holes [one for tap hole stopper]
- 2x 90mm waste outlets for basket strainer wastes
- Suitable for a waste disposer
- Wastes and overflow included

PLUMBING OPTION

- Plumbing kit CPK200

DIMENSIONS

- Main bowl depth 155mm
- Small bowl depth 90mm
- Min. base unit 600mm
- Cut-out size 941 x 486mm

ACCESSORY OPTIONS

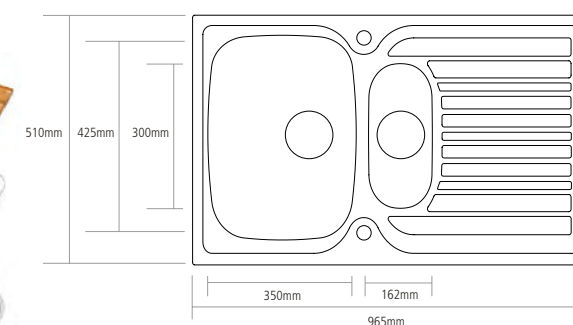
Universal wooden chopping board
CBB3040

Chrome main bowl basket
CMBB31CH

Stainless Steel strainer bowl
CSB25S

Chrome small bowl basket
CSB10CH

2 x Basket strainer waste decorative cover
CWC2



Waste Disposal Units.

A waste disposer hidden away under the sink can help you recycle your food scraps and leftovers like potato peelings, chicken bones, egg shells and tea bags. It's clean, it's green and it leaves you less to clutter up your bin.



Simply turn on the cold tap and the disposer, then empty everything into the sink. The disposer grinds the food waste into fine particles and flushes the waste away down the drain.

Since more than 25% of household refuse is food, that means less rubbish for the dustmen to take away to clog up our landfill sites, and a reduction in the amount of greenhouse gases emitted.

Disposer waste can be recycled into a soil conditioner once it reaches the water treatment plant so you will be making a positive contribution to your environment.

BIO SHIELD ODOUR PROTECTION

Treated with an Antimicrobial agent, Bio Shield odour protection provides ultimate defense against the growth of bacteria and subsequent odours.

Features a 1.25hp motor and grinding system with a superior torque grind speed for along system life and maximum power.

All models carry a lifetime corrosion proof guarantee, this warranty covers against failure due to corrosion.

EASY INSTALLATION

The lightweight and compact design of the Caple waste disposal units feature easy mount installation, to make fitting a breeze. Fits in any standard 90mm waste outlet.

WASTE DISPOSAL UNITS

WDU050



GENERAL FEATURES

- 2 YEAR GUARANTEE
- 0.5hp waste disposal unit
- Continuous feed
- High speed magnet motor
- Overload protection
- Corrosion resistant 3 stage grinding system
- Easy mount installation

- Sound insulation
- Removable splash guard
- Fits standard 90mm waste outlets

DIMENSIONS

- Width 175mm
- Depth 175mm
- Height 372mm

ACCESSORY OPTIONS

Basket strainer waste decorative cover
CWC2



WDU060



GENERAL FEATURES

- 2 YEAR GUARANTEE
- 0.5hp waste disposal unit
- Continuous feed
- High speed magnet motor
- Overload protection
- Corrosion resistant 3 stage grinding system
- Bio Shield odour protection
- Easy mount installation

- Sound insulation
- Fits standard 90mm waste outlets
- Fits sinks up to a thickness of 23mm [an extended flange is available for sinks up to 45mm thick]
- Air switch included

DIMENSIONS

- Width 132mm
- Depth 132mm
- Height 354mm

ACCESSORY OPTIONS

Basket strainer waste decorative cover
CWC2



Extended flange
EX/WDU125



WDU080



GENERAL FEATURES

- 2 YEAR GUARANTEE
- 0.75hp waste disposal unit
- Continuous feed
- High speed magnet motor
- Overload protection
- Corrosion resistant 3 stage grinding system
- Bio Shield odour protection
- Easy mount installation

- Fits standard 90mm waste outlets
- Fits sinks up to a thickness of 23mm [an extended flange is available for sinks up to 45mm thick]
- Stainless Steel stopper
- Air switch included

DIMENSIONS

- Width 219mm
- Depth 219mm
- Height 404mm

ACCESSORY OPTIONS

Basket strainer waste decorative cover
CWC2



Extended flange
EX/WDU125



WDU125



GENERAL FEATURES

- 3 YEAR GUARANTEE
- 1.25hp waste disposal unit
- Continuous feed
- High speed permanent magnet motor
- Overload protection
- Corrosion resistant 3 stage grinding system
- Bio shield odour protection

- Easy mount installation
- Sound insulation
- Air switch included
- Fits standard 90mm waste outlets
- Fits sinks up to a thickness of 23mm [an extended flange is available for sinks up to 45mm thick]

DIMENSIONS

- Width 220mm
- Depth 220mm
- Height 439mm

ACCESSORY OPTIONS

Basket strainer waste decorative cover
CWC2



Extended flange
EX/WDU125





Accessories.

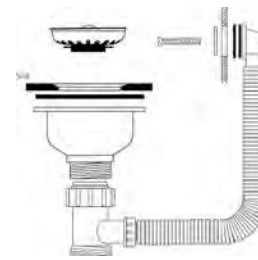
It's the little details that make a big difference and these handy additions should not be overlooked.

Accessorise your sink with a wooden chopping board that sits neatly on top of the drainer or worktop and always on hand when you need it.

COORDINATING COLOURS

With our new range of metallic wastes and overflows you can match your sink accessories to your chosen tap.

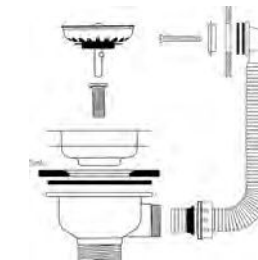
All Caple accessories are available to buy online at caple.co.uk



SQUARE OVERFLOW WASTE KIT

CPK1901 - Chrome
CPK2501 - Brushed Steel

- 90mm basket strainer waste
- Square overflow



ROUND OVERFLOW WASTE KIT

CPK501

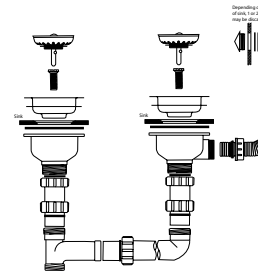
- Stainless Steel
- 90mm basket strainer waste
- Round overflow



WASTE AND BOWL CONNECTION KIT

CPK400

- Stainless Steel
- 90mm basket strainer waste and 60mm plug
- No overflow



WASTE AND BOWL CONNECTION KIT

CPK801

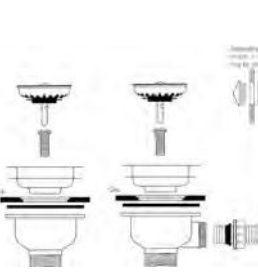
- Stainless Steel
- 2x 90mm basket strainer wastes
- Round overflow



WASTE AND BOWL CONNECTION KIT

CPK1101

- Stainless Steel
- 90mm basket strainer waste and 60mm waste and plug
- Round overflow



WASTE AND BOWL CONNECTION KIT

CPK2701

- Stainless Steel
- 2x 90mm basket strainer waste
- Round overflow



OVERFLOW KIT

CPOF500 - Chrome
CPOF600 - Stainless Steel

- CPOF500 suitable for Chrome basket strainer waste [BSW/CH4]
- CPOF600 suitable for Stainless Steel basket strainer waste [BSW/OF/SS3 or BSW/BS2]



OVERFLOW KIT

CPOF7

- Both round and rectangular backplate connections
- Round Chrome plated grill only
- Flexible tube and bolt



STAINLESS STEEL COLANDER

CSBS31SS

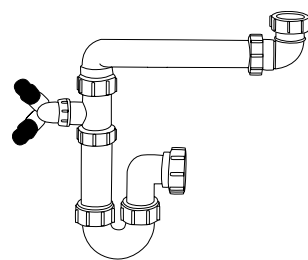
- Stainless Steel finish
- Suitable for MODE175 Stainless Steel sinks



PVD COLANDER

CSBS31GD

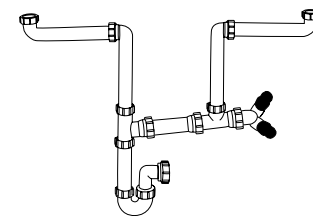
- PVD Gold Finish
- Suitable for MODE175 Stainless Steel sinks



1 BOWL PLUMBING KIT

CPK100

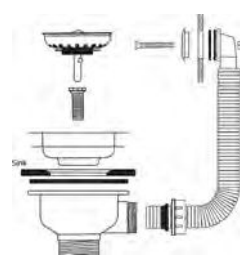
- Provision for washing machines and dishwashers
- Water seal P trap



2 BOWL PLUMBING KIT

CPK200

- Provision for washing machines and dishwashers
- Water seal P trap



SQUARE OVERFLOW WASTE KIT

CPK1501

- Stainless Steel
- 90mm basket strainer waste
- Square overflow



PVD COLANDER

MODECOL/BS

- PVD Black Steel finish
- Suitable for selected Stainless Steel sinks



PVD COLANDER

MODECOL/CO

- PVD Copper Finish
- Suitable for selected Stainless Steel sinks



PVD COLANDER

MODECOL/GD

- PVD Gold Finish
- Suitable for selected Stainless Steel sinks



PVD COLANDER

MODECOL/GM

- PVD Gunmetal Finish
- Suitable for selected Stainless Steel sinks



WASTE KIT
BSW/OF/SS3

- 90mm Stainless Steel finish basket strainer waste
- Supplied with overflow connection and blanking plug
- Basket strainer waste can be purchased without connection and blanking plug [BSW]



WASTE KIT
BSW/CH4

- 90mm Chrome finish basket strainer waste
- Max. sink thickness 20mm
- Suitable with selected ceramic sinks



WASTE COVER
CWC2

- Basket strainer waste decorative cover
- Suitable for 90mm wastes



WASTE STRAINER
BSW

- Caple basket strainer only
- If connections required see BSW/OF/SS3



65MM STAINLESS STEEL BASKET STRAINER WASTE
CAP/BSW/SS

- 65mm waste
- For Belfast sinks with 65mm waste outlet



65MM COPPER FINISH BASKET STRAINER WASTE
CAP/BSW/CO

- 65mm waste
- For Belfast sinks with 65mm waste outlet



65MM GOLD FINISH BASKET STRAINER WASTE
CAP/BSW/GD

- 65mm waste
- For Belfast sinks with 65mm waste outlet



65MM GUNMETAL FINISH BASKET STRAINER WASTE
CAP/BSW/GM

- 65mm waste
- For Belfast sinks with 65mm waste outlet



65MM SLOTTED WASTE
CAP/SL/CH

- For Belfast sinks with 65mm waste outlet
- Supplied with Chrome plug, chain and screwed stay
- For sinks up to 80mm thickness



65MM STAINLESS STEEL WASTE
CAP/PW/SS3

- Waste and plug
- For Belfast sinks with 65mm waste outlet



WASTE AND OVERFLOW
CPK551

- 90mm Brushed Steel basket strainer waste and overflow



WASTE AND OVERFLOW
CPK555/CO

- Copper 90mm basket strainer waste and overflow - for Granite sinks



WASTE AND OVERFLOW
CPK555/GD

- Gold 90mm basket strainer waste and overflow- for Granite sinks



WASTE AND OVERFLOW
CPK555/GM

- Gunmetal 90mm basket strainer waste and overflow- for Granite sinks



WASTE KIT
CPK550/BS

- 90mm black steel finish basket strainer waste
- Supplied with round and square matching overflow
- Suitable with CPBS4



WASTE KIT
CPK550/CO

- 90mm copper finish basket strainer waste
- Supplied with round and square matching overflow
- Suitable with CPBS4



WASTE KIT
CPK550/AB

- 90mm antique brass finish basket strainer waste
- Supplied with round and square matching overflow
- Suitable with selected ceramic sinks



WASTE KIT
CPK550/GD

- 90mm gold finish basket strainer waste
- Supplied with round and square matching overflow
- Suitable with selected ceramic sinks



WASTE KIT
CPK550/BC

- 90mm blackened copper finish basket strainer waste
- Supplied with round and square matching overflow
- Suitable with CPBS4



WASTE KIT
CPK550/GM

- 90mm gunmetal finish basket strainer waste
- Supplied with round and square matching overflow
- Suitable with CPBS4



WASTE KIT
BSW/BC

- 90mm blackened copper finish basket strainer waste
- Supplied with round and square matching overflow
- Max. sink thickness 20mm
- Suitable with selected ceramic sinks



WASTE KIT
BSW/CO

- 90mm copper finish basket strainer waste
- Supplied with round and square matching overflow
- Max. sink thickness 20mm
- Suitable with selected ceramic sinks



WASTE KIT
BSW/GM

- 90mm gunmetal finish basket strainer waste
- Supplied with round and square matching overflow
- Max. sink thickness 20mm
- Suitable with selected ceramic sinks



WASTE KIT
BSW/BS2

- 90mm brushed steel finish basket strainer waste
- Max. sink thickness 20mm
- Suitable with selected ceramic sinks



WASTE KIT
WASTE/033

- 90mm copper finish basket strainer waste and overflow
- Suitable with Mode sinks only



WASTE KIT
WASTE/034

- 90mm gunmetal finish basket strainer waste and overflow
- Suitable with Mode sinks only



WASTE KIT
WASTE/042

- 90mm gold finish basket strainer waste and overflow
- Suitable with Mode sinks only



WASTE KIT
WASTE/043

- 90mm black steel finish basket strainer waste and overflow
- Suitable with Mode sinks only



WASTE KIT
WASTE/050

- 90mm stainless steel basket strainer waste
- Suitable with SASO sinks only



WASTE KIT
WASTE/051

- 90mm black steel basket strainer waste
- Suitable with SASO sinks only



WASTE KIT
WASTE/052

- 90mm copper finish basket strainer waste and overflow
- Suitable with SASO sinks only



WASTE KIT
WASTE/053

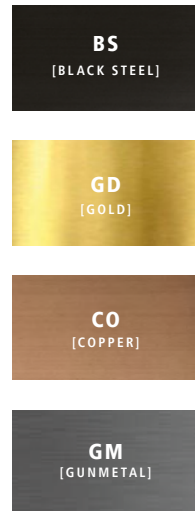
- 90mm gold finish basket strainer waste and overflow
- Suitable with SASO sinks only



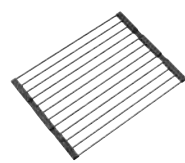
WASTE KIT
WASTE/054

- 90mm gunmetal finish basket strainer waste and overflow
- Suitable with SASO sinks only

PVD COLOUR OPTIONS

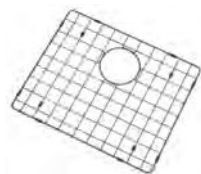


*Replace XX with PVD colour code when ordering



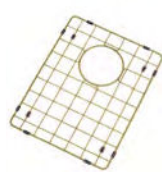
PVD FOLDMAT
FMAT/XX*

- PVD finish [Black Steel shown]
- Universal foldmat



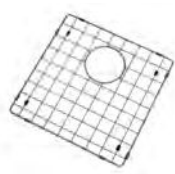
PVD SINK GRID
CGRID12/XX*

- PVD finish [Gunmetal shown]
- Suitable for MODE045 sink



PVD SINK GRID
CGRID13/XX*

- PVD finish [Gold shown]
- Suitable for MODE3415 sink



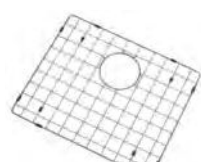
PVD SINK GRID
CGRID14/XX*

- PVD finish [Black Steel shown]
- Suitable for SASO45 sink



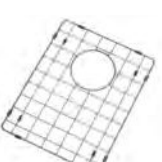
STAINLESS STEEL FOLDMAT
FMAT/SS

- Stainless Steel finish
- Universal foldmat



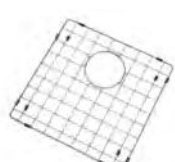
STAINLESS STEEL SINK GRID
CGRID12

- Stainless Steel finish
- Suitable for selected Stainless Steel sinks



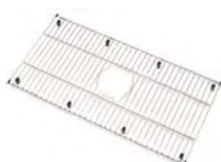
STAINLESS STEEL SINK GRID
CGRID13

- Stainless Steel finish
- Suitable for selected Stainless Steel sinks



STAINLESS STEEL SINK GRID
CGRID14

- Stainless Steel finish
- Suitable for SASO45 sink



STAINLESS STEEL SINK GRID
CGRID1, CGRID2, CGRID3

- Stainless Steel finish
- Suitable for selected ceramic sinks



STAINLESS STEEL SINK GRID
CGRID4

- Stainless Steel finish
- Fits Pemberley



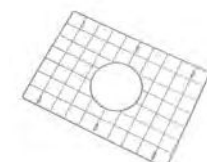
CHROME SINK GRID
CGRID6

- Chrome finish
- Suitable for selected granite and Stainless Steel sinks



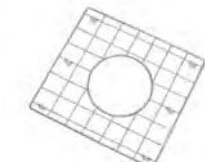
CHROME SINK GRID
CGRID7

- Chrome finish
- Suitable for BELSS Stainless Steel sink



STAINLESS STEEL SINK GRID
CGRID8

- Stainless Steel finish
- Suitable for CINB600 ceramic sink



STAINLESS STEEL SINK GRID
CGRID9

- Stainless Steel finish
- Suitable for CINB800 ceramic sink



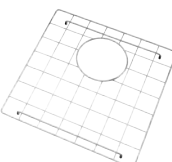
STAINLESS STEEL SINK GRID
CGRID11

- Stainless Steel finish
- Suitable for CPWIB3 ceramic sink



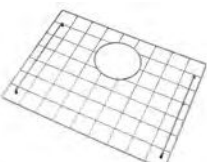
STAINLESS STEEL SINK GRID
CGRID15

- Stainless Steel finish
- Suitable for CPBS4 and CPBS5BK



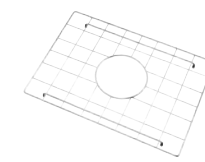
STAINLESS STEEL SINK GRID
CGRID16

- Stainless Steel finish
- Suitable for Hamilton



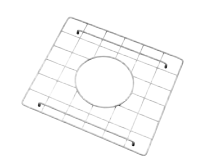
STAINLESS STEEL SINK GRID
CGRID17

- Stainless Steel finish
- Suitable for YORK2



STAINLESS STEEL SINK GRID
CGRID18

- Stainless Steel finish
- Suitable for CPCIB3



STAINLESS STEEL SINK GRID
CGRID19

- Stainless Steel finish
- Suitable for FRI151



AERATOR 1
ECO/AERATOR1

- Compatible products: CRU4/CH, ANT4/CH, ANT4/BN, BRO/SP/CH, LAM/CH, LAM/BC, LAM/BCH, DUM/CH, ASP2/CH, LAN/CH, ATMPUR/CH, NATPUR/CH, ASPQ2/CH, DAN/CH, LAN/SP/CH, HAD/CH, HAD/BN, ASP2/SS, ASP2/AN, ASP2/PG, ASPQ2/SS, ATL/SS, ASP3/SS, ATLP/SS, FRA/SS, FRA/AB, HOW/SS, JOY/SS, JOY/BS, JOY/CO, JOY/GD, JOY/GM, LAM3/SS, RID/SS, RID/BS, RID/GM, RID/CO, RID/GD, ROB3/SS, SPI2/SS, PUT/BRI/SS, PUT/BRI/PS, PUT/BRI/AB, PUT/BRI/BC, COG/BC, TAYQ/SS, TAY/SS, NOL/GD, NOL/SS, PEN/SS, PEN/GD, BAN/AB, BAN/SS



AERATOR 2
ECO/AERATOR2

- Compatible products: ASP2/CH, FRS/CH, AVE4/BN, ARDPUR/CH, SALPUR/CH, AVE4/CH, AVE4/BC, WAS4/BN, S/CRU5/CH, S/CRU5/AB, SWA/CH, S/CRU5/PTR, BRO/CH, KON3/CH, LEV3/BN, LEV3/CH, WAS4/CH



SOAP DISPENSER
CSD2/SS

- Push down operation
- Stainless Steel dispenser
- Height above work surface 63mm
- 360ml capacity
- Reach 105mm, bottle height 155mm
- Work surface cut-out of 25mm is required



SOAP DISPENSER
CSD/CH

- Push down operation
- Chrome dispenser
- Height above work surface 55mm
- 350ml capacity
- Reach 100mm, bottle height 200mm
- Work surface cut-out of 28mm is required



UNIVERSAL WOODEN CHOPPING BOARD
CBB3040

- Beech
- 400 x 300mm



GLASS CHOPPING BOARD
CGCB2

- Toughened glass
- 325 x 440mm



BEECH CHOPPING BOARD
AXLCB

- Beech
- 217 x 397mm
- Designed to fit Axle, Cubit and Nada Sinks



ROWECA ANTHRACITE CHOPPING BOARD
VACB

- Roweca Anthracite
- 250 x 440mm
- Dishwasher friendly



ZONA BEECH CHOPPING BOARD
CCB3

- Beech
- 262 x 300mm



CRAMER CERAMIC REPAIR KIT

For the professional repair of minor damage and chipping. Do not use for hairline cracks



CRAMER TAP CLEANER

For daily cleaning and care of taps. Do not use on limestone surfaces [marble]



CRAMER CERAMIC TOUCH-UP STICK

For mending minor damage, scratches and blemishes in kitchen. Do not use on cooking utensils. Heat-resistant up to 60°C



SINK CLEANER

Stainless Steel or ceramic sink polish



GRANITE CLEANER

Granite sink cleaner



CERAMIC SINK RUBBER

Removes grey metal marks, rust, stubborn stains, limescale and residual glue. Only suitable for ceramic, enamel and comparable surfaces

TAPS

4 IN 1	109
3 IN 1	112
PURITI	117
PULL OUT + SPRAY	122
POT FILLERS	129
SINGLE CONTROL	132
BRIDGE TAPS	146
DUAL CONTROL	150



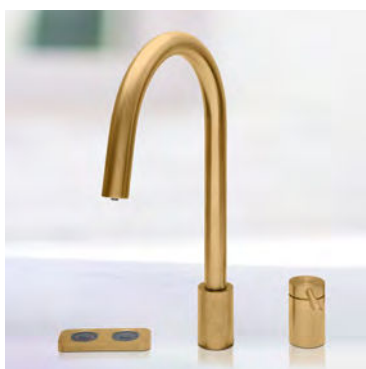
CAPLE CARE

FREE 5 YEAR
GUARANTEE ON
ALL TAPS

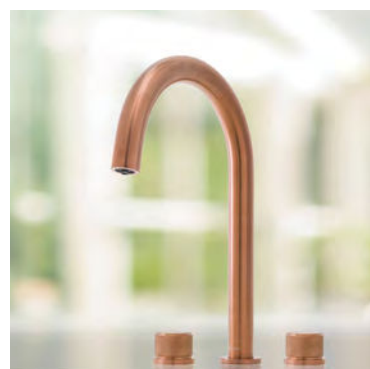
5 YEAR GUARANTEE

All Caple taps come with a 5 year guarantee.

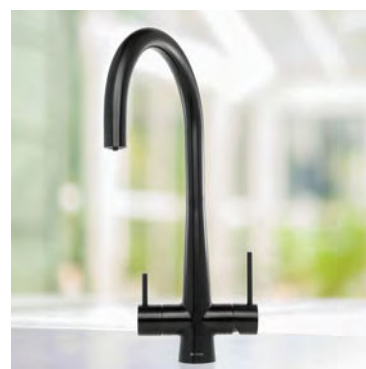
Subject to T & C's.



4IN1 STEAMING HOT WATER



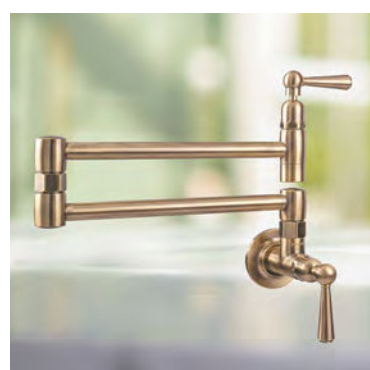
3IN1 STEAMING HOT WATER



PURITI



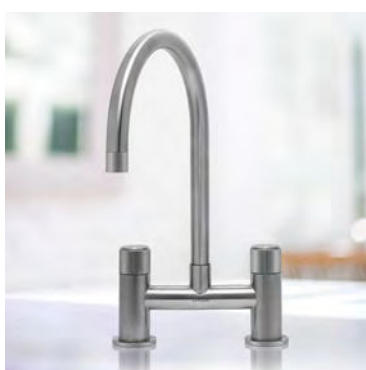
PULL-OUT SPRAY



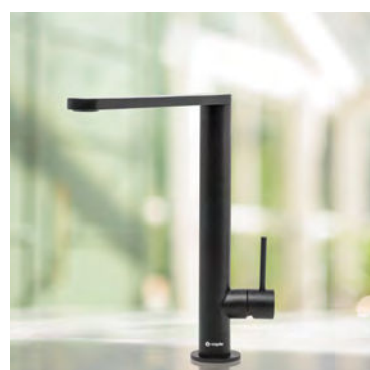
POT FILLER



DUAL CONTROL



BRIDGE



SINGLE CONTROL

What's Your Type?

The Inside Story.

WRAS APPROVED



The Water Regulations Advisory Scheme [WRAS] is the UK Water Industry's approval scheme.

Our range of WRAS approved taps have been fully tested and are fully compliant with the requirements of the water regulations and byelaws. WRAS Approval is considered the best way to demonstrate compliance as it is granted directly by representatives of the water suppliers and is therefore accepted by every water supplier in the UK.

WATER PRESSURE

Some taps need more pressure than others to flow at the same rate. A pressurised water heater system will provide enough water pressure for any of our taps. However, an unpressurised system may not. You will need to calculate the pressure before choosing a tap that has a minimum requirement - otherwise it might not work properly. To do this, measure how far the water tank is above the tap in metres and divide by 10. This gives the water pressure in bars. Remember that any bends or junctions in the pipework will reduce the pressure.

If you are not sure how to calculate your hot water pressure, ask your plumber. Water pressure can be increased by adding a separate water pump.

VALVE TYPES

You can choose from many different valve options to control how your tap works. In a single lever model, the lever is moved in two directions to control the tap. Other types of tap use either basic compression valves or the superior quarter turn valves that respond quicker.

A progressive valve allows you to control your water flow with a simple rotating motion. The water flow starts cold and gradually gets warmer. The more you turn the control, the hotter the water temperature, whilst the water pressure gradually increases.



PROGRESSIVE VALVES EXPLAINED

WATER EFFICIENT CSH COMPLIANT TAPS



We have developed a collection of taps specifically designed to conform to Water efficiency requirements. These taps have a flow rate of 4 litres per minute or less when measured at 3 bar of pressure. Look out for the water efficiency logo.

AERATORS

If you want more choice but still want the benefits of water efficiency, you can buy an aerator. Sitting within your tap spout, these economical accessories reduce the flow of water to $\leq 4\text{L/pm}$, meaning less water consumption and wastage from your tap. The aeration of water makes for an efficient and cost-effective solution, ensuring that you still experience the same rinsing and washing effect while saving money on your bill.



HOW TO FIT AN AERATOR



Tap Colours.

Explore a world of aesthetic possibilities with our extensive range of tap finishes, each designed to elevate your space with a distinctive touch. From the bold and timeless allure of Anthracite to the classic sophistication of black, our collection spans a spectrum of tap colours that cater to diverse styles and preferences.

With our diverse range of tap colours, you have the creative freedom to personalise your space and make a lasting impression. Whether you seek timeless sophistication, modern flair, or a touch of vintage charm, our collection ensures that your taps reflect your unique style and taste.

It pays to experiment. Contrasting colour in the kitchen can work surprisingly well. Teaming a dark sink, nestled under a white worktop, with Copper accessories may seem unusual but, surprisingly, makes a successful combination. If you prefer to coordinate, matching metallics has never been easier with our ever growing family of co-ordinating metallic products. From our Black Steel or Gunmetal appliances to our stunning choice of metallic sinks, taps and furniture handles, there is a metallic finish for everyone!

PVD COATING

What is PVD? Physical Vapour Deposition known as PVD, this highly innovative technique vaporises solid metal in a high vacuum environment. It then deposits this on electrically conductive materials, such as a pure metal or alloy coating. The result? A finish, which is highly resistant to scratches, corrosion and tarnishing.

The colours we use, which feature the PVD method, are Gold, Copper, Black Steel and Gunmetal. PVD is also a process, which is used to coat certain super-premium watches – and Formula One cars – so it's renowned for its longevity. This means that your Gold, Copper, Black Steel or Gunmetal sink [or tap] will be able to withstand plenty of wear and tear. And you can feel confident this will provide long-lasting colour in your kitchen for many years to come.

BENEFITS OF PVD

- › Highly resistant to tarnishing, corrosion, scratches and scrapes
- › One of the most environmentally friendly methods of coating
- › Used for a wide range of decorative finishes with colours that do not fade PVD produces highly brilliant finishes

Steaming Hot Water Taps.

Steaming hot water taps are the perfect blend of form and function, delivering an unparalleled experience of comfort and convenience. Enjoy the luxury of hot water without the hassle of waiting for the kettle to boil or dealing with bulky water heaters. Say goodbye to the waiting game and experience the ultimate in time-saving and energy efficiency. Whether you're brewing a quick cup of tea, preparing instant meals, or simply need hot water on demand, our steaming hot water taps are your go-to solution.

With sleek and stylish designs that complement any decor, these taps not only enhance the functionality of your space but also add a touch of sophistication. 3 in 1 taps supply fresh cold water, regular hot water and filtered 98°C steaming water. While 4 in 1 taps provide the additional feature of filtered cold water too. Quick and simple installation allows the tap, filter, boiler, and solenoid valve [4in1 taps only] to be easily retrofitted.

OUTSTANDING WATER FILTRATION

Offering a new standard of water filtration technology, providing extraordinary accuracy for scale and PH control. This water filtration and conditioning technology effectively combines hardness reduction, mineral stabilization and corrosion inhibition by maintaining a controlled low carbonic acid level in the water.

It delivers the best available water quality for hot drinks by removing limescale build up in the boiler [provided filters are installed and maintained/exchanged in line with manufacturer recommendations].

It includes DuoBlend® valve technology for the most accurate bypass ratio and a 5µm Carbon block membrane for particle protection, reducing tastes and odours such as chlorine and chlorine by-products, THM's, PAH's and pesticides such as Simazine, Atrazine, Lindane and Dieldrin. Each filter lasts approximately six months and is easily changed without tools.

Order your replacement filter cartridge [PURIT13] or full fitting kit including the cartridge [PURIT14] at caple.co.uk for next day delivery.



4in1 Steaming Hot Water Taps.

A TAP BUT 4 TIMES SMARTER

The Fosso 4-in-1 steaming water tap is the perfect combination of versatility and style. Providing not only regular hot and cold water, but also with just the touch of a button, you can enjoy purified and filtered cold water and 98°C steaming hot water too!

The cold water from your water supply passes through the filter into the 3.5L boiler. The water temperature can be easily adjusted from 25°C - 98°C to suit your requirements by simply adjusting the controls located at the front of the boiler.

A safety feature is added for steaming hot water, so you must press the boiling water button twice to receive 98°C filtered steaming hot water and then hold the button to continue the flow. Releasing the button will stop the boiling water flow.



WRAS APPROVED

The Water Regulations Advisory Scheme [WRAS] is the UK Water Industry's approval scheme.

Our range of WRAS approved taps have been fully tested and are fully compliant with the requirements of the water regulations and byelaws. WRAS Approval is considered the best way to demonstrate compliance as it is granted directly by representatives of the water suppliers and is therefore accepted by every water supplier in the UK.

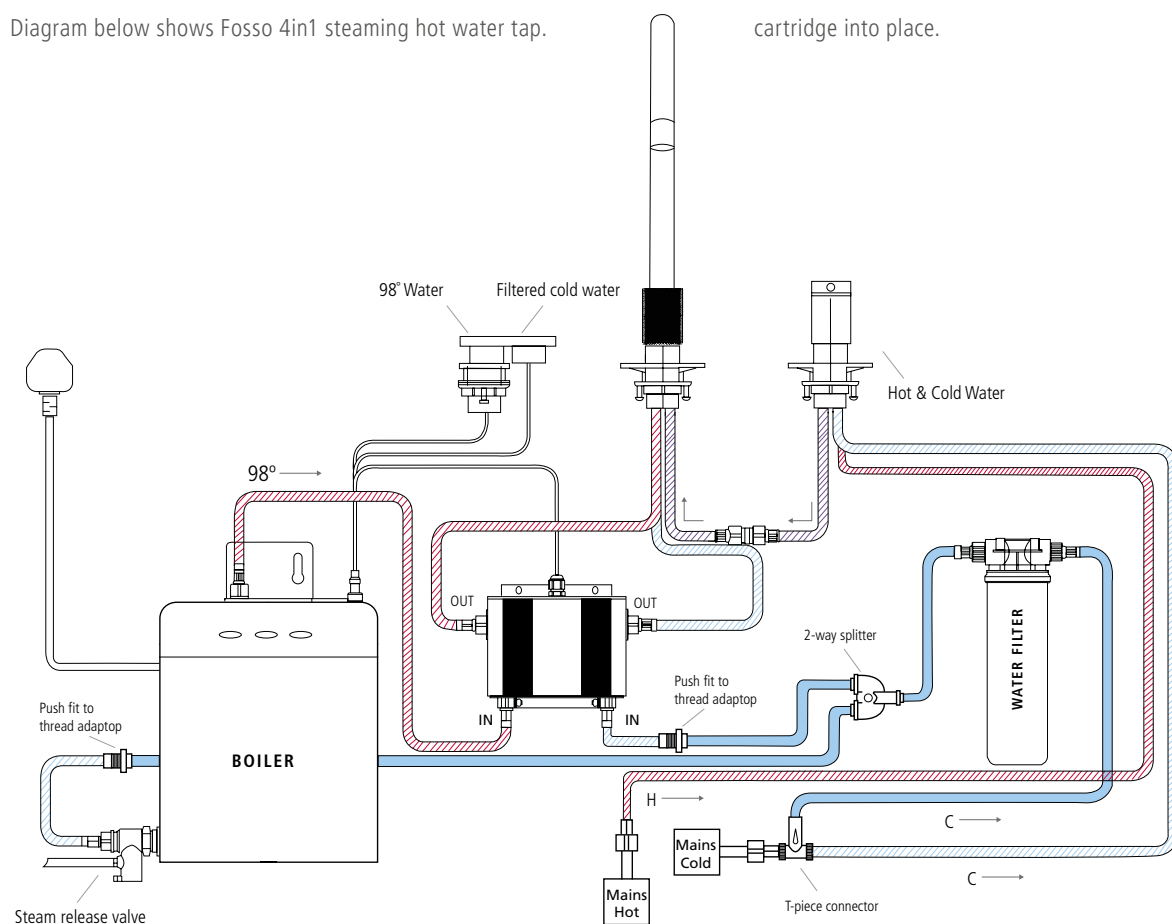


Electronic buttons control the distribution of your selected water type. A single press of the filtered water button provides a continual flow until it is pressed again, while the steaming water safety mechanism requires a double press and hold of the button which automatically shuts off the water once released.

It couldn't be easier to change the filter. There is no need to cut off the water supply, just twist the used filter to release it - this automatically isolates the water supply making it easy to twist the new cartridge into place.

So, Here's The Technical Bit...

Diagram below shows Fosso 4in1 steaming hot water tap.



FOSSO 4IN1



FOS/4IN1/SS - Stainless Steel FOS/4IN1/GM - Gunmetal FOS/4IN1/BS - Black Steel FOS/4IN1/CO - Copper FOS/4IN1/GD - Gold

GENERAL FEATURES

- Made from solid Stainless Steel
- Metallic PVD coating for coloured taps
- Supplies fresh cold water, filtered cold water, regular hot water and filtered 98°C steaming water.
- WRAS approved
- Includes touch control pressurised boiler
- Water conditioning technology providing exceptional accuracy for scale and acidity control for increased boiler protection, plus increased food and beverage quality.
- 3.5Ltr tank, up to 120 cups per hour
- Temperature range of boiler 25°C - 98°C
- Single lever valve for normal hot and cold

TAP FEATURES

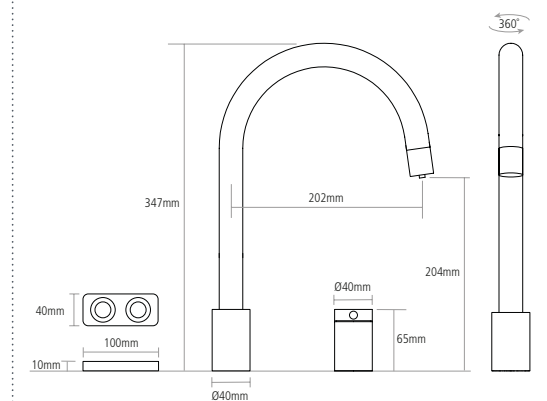
- Minimum 0.5 bar pressure required
- Safety mechanism for steaming water control
- Electronic button control for 98° steaming + filtered water
- Cool touch spout
- Separate flow for steaming water

OPTIONAL EXTRAS

- PURIT3 Replacement filter
 - FILTERMETER Digital water capacity meter
- Available to buy online caple.co.uk

DIMENSIONS

- 4 x 35mm worktop cut out required



3in1 Steaming Hot Water Taps.

3in1 taps supply fresh cold water, regular hot water and filtered 98°C steaming water, the perfect temperature for preparing tea, blanching vegetables and assisting the cooking of pasta or rice.

PROGRESSIVE VALVE

Control your Joya 3in1 tap with a simple rotating motion. The water flow starts cold and gradually gets warmer.

The more you turn the control, the hotter the temperature whilst the water flow gradually increases.



PROGRESSIVE
VALVE EXPLAINED

All caple accessories are available to buy online at caple.co.uk



So, Here's The Technical Bit...

The cold water from your water supply passes through the filter into the 3.5L boiler. The water temperature can be easily adjusted from 25°C - 98°C to suit your requirements by simply adjusting the controls located at the front of the boiler.

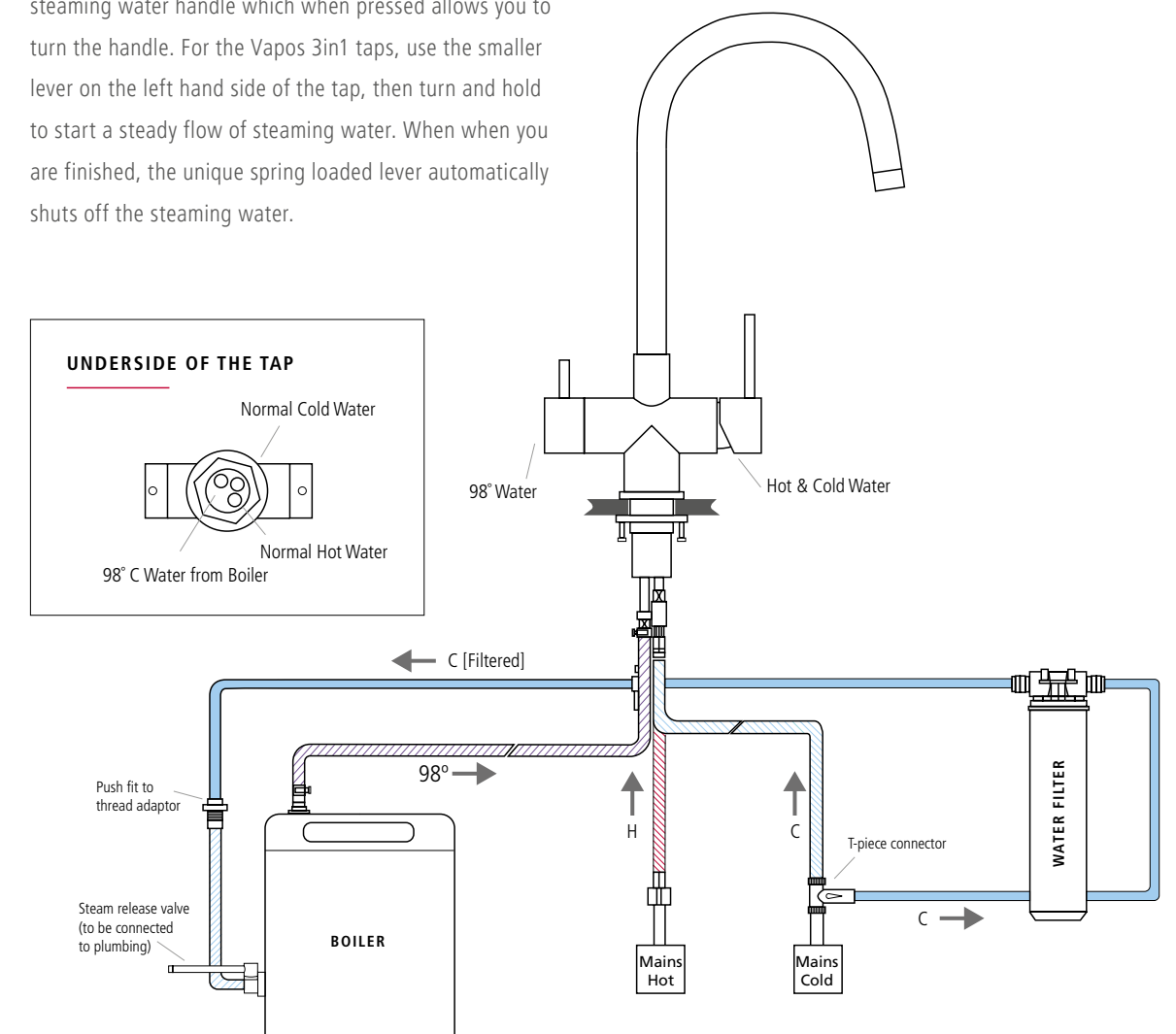
A safety feature is added for steaming hot water on all 3in1 taps although the child safety mechanism differs for each model.

For the Joya 3in1 taps there is a button on the back of the steaming water handle which when pressed allows you to turn the handle. For the Vapos 3in1 taps, use the smaller lever on the left hand side of the tap, then turn and hold to start a steady flow of steaming water. When when you are finished, the unique spring loaded lever automatically shuts off the steaming water.

It couldn't be easier to change the filter. There is no need to cut off the water supply, just twist the used filter to release it - this automatically isolates the water supply making it easy to twist the new cartridge into place.

All Caple accessories, including replacement filters and fixing kits, are available to buy at caple.co.uk for next day delivery.

Diagram below shows Vapos 3in1 steaming hot water tap.





VAPOS 3IN1



VAP2/3IN1/SS - Stainless Steel VAP2/3IN1/GM - Gunmetal VAP2/3IN1/BS - Black Steel VAP2/3IN1/CO - Copper VAP2/3IN1/GD - Gold

GENERAL FEATURES

- Made from solid Stainless Steel
- Metallic PVD coating for coloured taps
- Supplies fresh cold water, regular hot water and filtered 98°C steaming water
- WRAS approved
- Includes touch control pressurised boiler
- Water conditioning technology providing exceptional accuracy for scale and acidity control for increased boiler protection, plus increased food and beverage quality
- 3.5Ltr tank, up to 120 cups per hour
- Temperature range of boiler 25 - 98°C

TAP FEATURES

- Minimum 0.5 bar pressure required
- Safety mechanism for steaming water control
- Cool touch spout
- Separate flow for steaming water

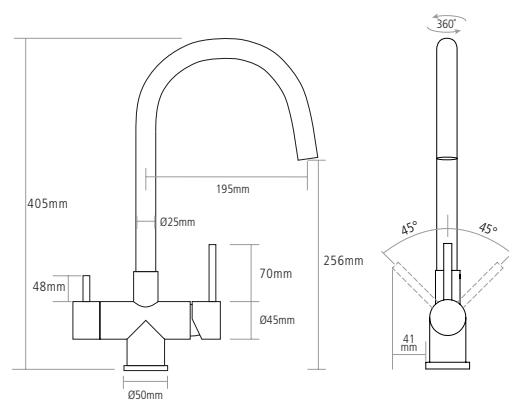
OPTIONAL EXTRAS

- PURIT3 Replacement filter
- FILTERMETER Digital water capacity meter

Available to buy online caple.co.uk

DIMENSIONS

- Worktop cut out 35mm required



VAPOS QUAD 3IN1



VAPQ2/3IN1/SS - Stainless Steel

GENERAL FEATURES

- Made from solid Stainless Steel
- Supplies fresh cold water, regular hot water and filtered 98°C steaming water
- WRAS approved
- Includes touch control pressurised boiler
- Water conditioning technology providing exceptional accuracy for scale and acidity control for increased boiler protection, plus increased food and beverage quality
- 3.5Ltr tank, up to 120 cups per hour
- Temperature range of boiler 25 - 98°C

TAP FEATURES

- Minimum 0.5 bar pressure required
- Safety mechanism for steaming water control
- Cool touch spout
- Separate flow for steaming water

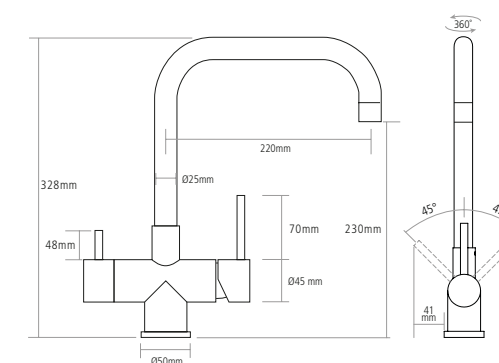
OPTIONAL EXTRAS

- PURIT3 Replacement filter
- FILTERMETER Digital water capacity meter

Available to buy online caple.co.uk

DIMENSIONS

- Worktop cut out 35mm required





JOYA 3IN1

PROGRESSIVE
VALVE
EXPLAINEDStainless
STEEL

JOY3IN1/SS - Stainless Steel JOY3IN1/GM - Gunmetal JOY3IN1/BS - Black Steel JOY3IN1/CO - Copper JOY3IN1/GD - Gold

GENERAL FEATURES

- Made from solid Stainless Steel
- Metallic PVD coating for coloured taps
- Supplies fresh cold water, regular hot water and filtered 98°C steaming water
- Includes touch control pressurised boiler
- Water conditioning technology providing exceptional accuracy for scale and acidity control for increased boiler protection, plus increased food and beverage quality.
- 3.5Ltr tank, up to 120 cups per hour
- Temperature range of boiler 25°C - 98°C
- Separate flow for steaming water

TAP FEATURES

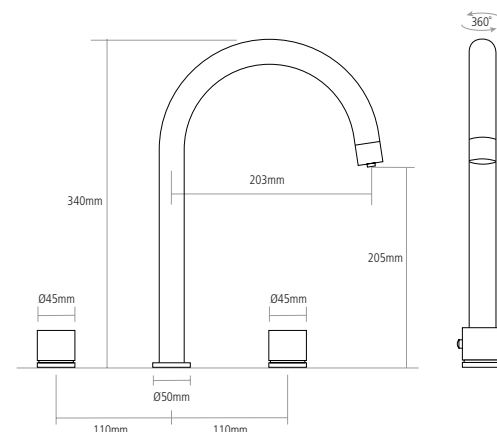
- Minimum 0.5 bar pressure required
- Safety mechanism for steaming water control
- Progressive valve hot/cold control [Scan QR code for more information]
- Cool touch spout

OPTIONAL EXTRAS

- PURIT3 Replacement filter
- FILTERMETER Digital water capacity meter

Available to buy online caple.co.uk**DIMENSIONS**

- 3 x 35mm worktop cut out required



Puriti Taps.

FANCY PURIFIED, FILTERED COLD WATER ON TAP?

Choose a Caple Puriti tap to deliver regular hot and cold water with the added benefit of fresh filtered water. It is either dispensed using a third lever or sometimes fully integrated into the standard design.

An ingenious filtration system is hidden from sight in the kitchen unit, and by turning the filtration tap, your normal cold water supply is diverted via the Caple filter to the tap and in to your glass. It is also great for areas with particularly hard water. By using the filtered water in kettles and cooking you greatly reduce the damaging impact of lime-scale build up in appliances and reduce the effect of water impurities during food preparation, whilst also improving tea and coffee.

HOW IT WORKS

As the filter tap is turned the normal cold water supply is redirected through a series of filtration processes including activated carbon. This removes almost all chlorine improving the taste, and other impurities such as particulates, bacteria, rust, heavy metals and pesticides, while also acting as a scale inhibitor. It also helps maintain the pH balance of the water, which is much healthier than consuming overly acidic or alkaline normal tap water.

WHY IT'S GOOD

Caple Puriti filter can last up to 4 x longer compared to other filtration systems on the market. Puriti filters up to 6000 litres compared to only 300 - 1500 litres.

The Caple Puriti filter is discreetly installed under the sink. It will be easily accessible for changing which will need to be done about every six months. This is a very straight-forward process that does not require any tools.

Replacement filters and fixing kits are available to buy online at caple.co.uk

caple
PURIT3



HARLO PURITI

Stainless STEEL **caple** PURITI



HARPUR/SS - Stainless Steel **HARPUR/GM** - Gunmetal **HARPUR/BS** - Black Steel **HARPUR/CO** - Copper **HARPUR/GD** - Gold

GENERAL FEATURES

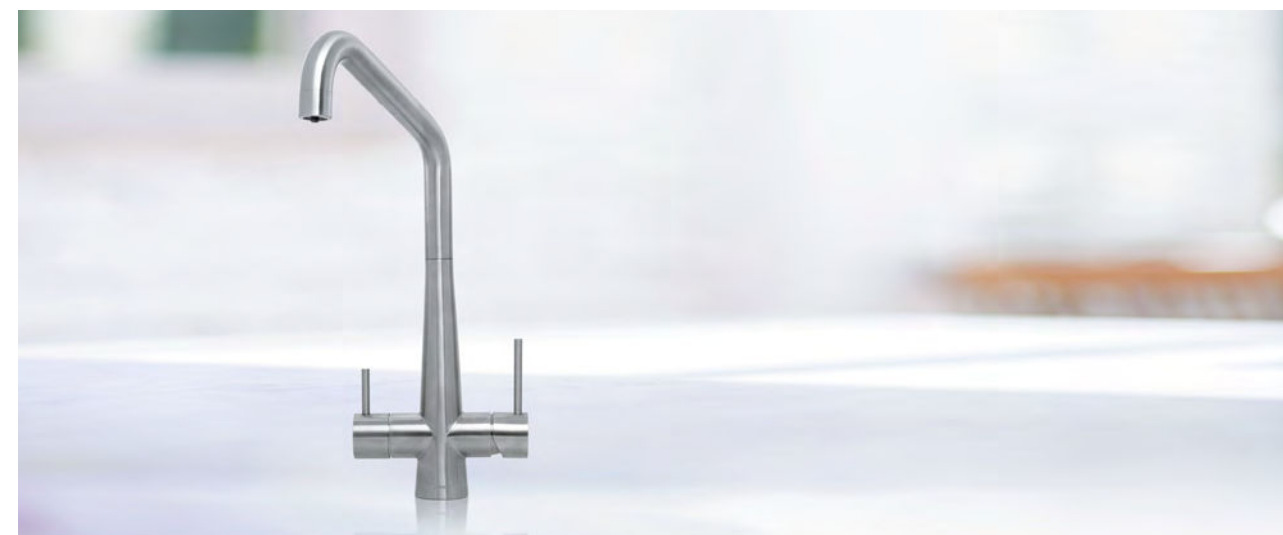
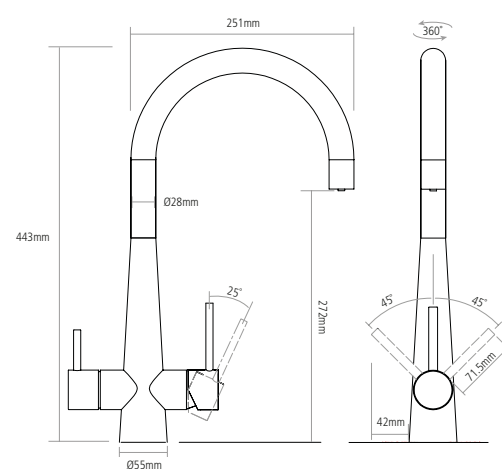
- Made from solid Stainless Steel
- Metallic PVD coating for coloured taps
- Monobloc design
- Minimum 0.5 bar pressure required
- Quarter turn ceramic valve lever for filtered water
- Single lever ceramic valve for hot and cold water
- Single flow for hot and cold water
- Water filter kit included
- Separate filtered supply [filter included]

OPTIONAL EXTRAS

- PURITI1 Replacement filter
 - FILTERMETER Digital filter water meter
- Available to buy online caple.co.uk

DIMENSIONS

- Worktop cut out 35mm required



HARLO PURITI

Stainless STEEL **caple** PURITI



HARQPUR/SS - Stainless Steel

GENERAL FEATURES

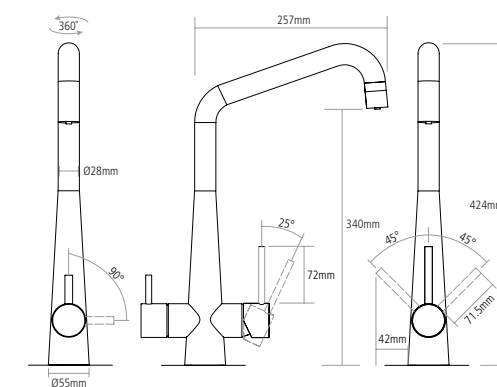
- Made from solid Stainless Steel
- Monobloc design
- Minimum 0.5 bar pressure required
- Quarter turn ceramic valve lever for filtered water
- Single lever ceramic valve for hot and cold water
- Single flow for hot and cold water
- Water filter kit included
- Separate filtered supply [filter included]

OPTIONAL EXTRAS

- PURITI1 Replacement filter
 - FILTERMETER Digital filter water meter
- Available to buy online caple.co.uk

DIMENSIONS

- Worktop cut out 35mm required



ARDOR PURITI

ARDPUR/CH - Polished Chrome


**GENERAL FEATURES**

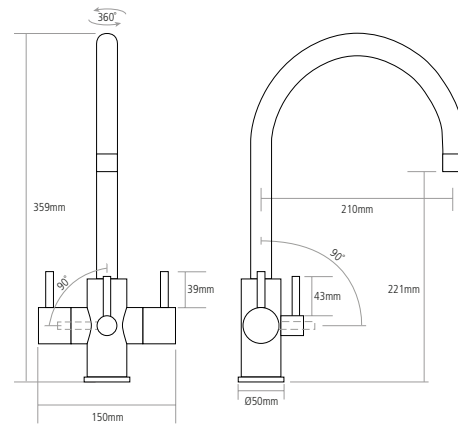
- Monobloc design
- Minimum 0.3 bar pressure required
- Quarter turn ceramic valve
- Single flow
- Filtered supply [filter included]

OPTIONAL EXTRAS

- PURITI1 Replacement filter
- FILTERMETER Digital filter water meter
- ECO/AERATOR2 Aerator

Available to buy online cople.co.uk**DIMENSIONS**

- Worktop cut out 35mm required



ATMORE PURITI

ATMPUR/CH - Polished Chrome


**GENERAL FEATURES**

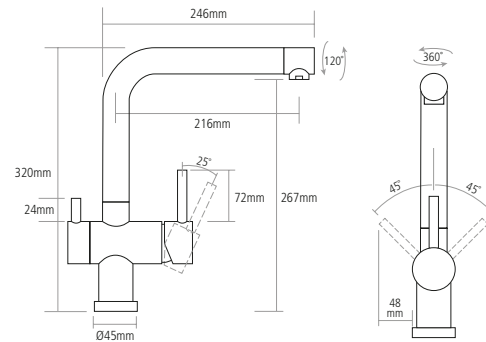
- Monobloc design
- Minimum 0.1 bar pressure required
- Single lever ceramic valve
- Single flow
- Filtered supply [filter included]

OPTIONAL EXTRAS

- PURITI1 Replacement filter
- FILTERMETER Digital filter water meter
- ECO/AERATOR1 Aerator

Available to buy online cople.co.uk**DIMENSIONS**

- Worktop cut out 35mm required



DALTON PURITI

DALPUR2/SS - Stainless Steel


**GENERAL FEATURES**

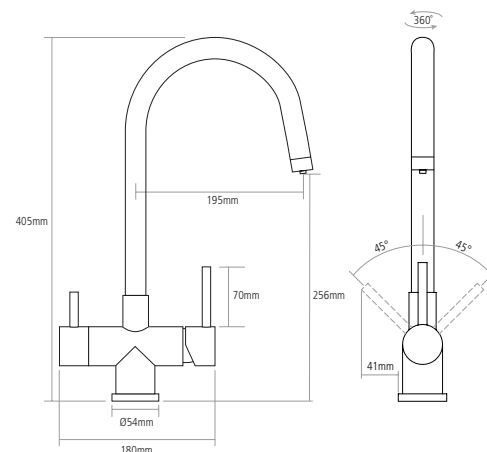
- Monobloc design
- Made from solid Stainless Steel
- Minimum 0.5 bar pressure required
- Quarter turn lever for filtered water
- Single lever ceramic valve for hot and cold water
- Single flow for hot and cold water
- Separate filtered supply [filter included]

OPTIONAL EXTRAS

- PURITI1 Replacement filter
- FILTERMETER Digital filter water meter

Available to buy online cople.co.uk**DIMENSIONS**

- Worktop cut out 35mm required



LAYTON PURITI

LAYPUR2/SS - Stainless Steel


**GENERAL FEATURES**

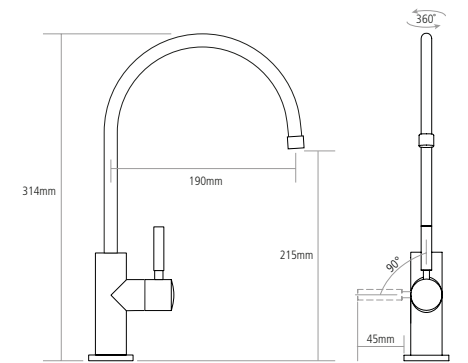
- Single lever design
- Made from solid Stainless Steel
- Minimum 0.5 bar pressure required
- Quarter turn ceramic valve
- Single flow
- No hot or cold supply, filtered only [filter included]

OPTIONAL EXTRAS

- PURITI1 Replacement filter
- FILTERMETER Digital filter water meter

Available to buy online cople.co.uk**DIMENSIONS**

- Worktop cut out 20mm required



NATICK PURITI

NATPUR/CH - Polished Chrome


**GENERAL FEATURES**

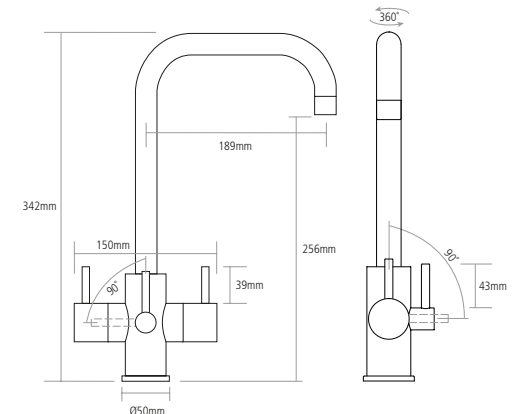
- Monobloc design
- Minimum 0.3 bar pressure required
- Quarter turn ceramic valve
- Single flow
- Filtered supply [filter included]

OPTIONAL EXTRAS

- PURITI1 Replacement filter
- FILTERMETER Digital filter water meter
- ECO/AERATOR1 Aerator

Available to buy online cople.co.uk**DIMENSIONS**

- Worktop cut out 35mm required



SALUS PURITI

SALPUR/CH - Polished Chrome


**GENERAL FEATURES**

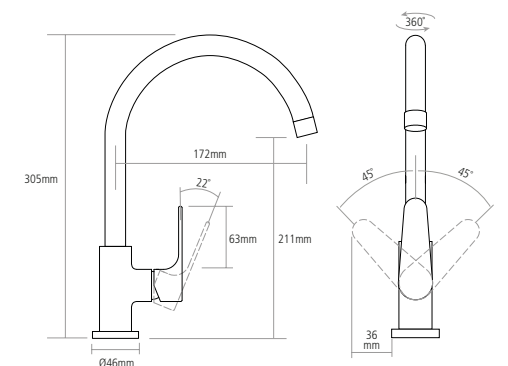
- Single lever design
- Minimum 0.3 bar pressure required
- Single lever ceramic valve
- Single flow
- No hot or cold supply, filtered only [filter included]

OPTIONAL EXTRAS

- PURITI1 Replacement filter
- FILTERMETER Digital filter water meter
- ECO/AERATOR2 Aerator

Available to buy online cople.co.uk**DIMENSIONS**

- Worktop cut out 22mm required





Pull-Out + Spray Taps.

PULL OUT TAPS

With technology taken from professional kitchens, pull out taps work on the same principle as a single lever tap design with the standard hot and cold functions. A pull-out tap has a long flexible hose that can be pulled out allowing you to move the tap freely around the sink.

SPRAY TAPS

With spray taps, the secret is in the nozzle. By pressing the button on the side of the spray head the nozzle produces a high-pressured shower like spray or jet of water versus the normal flow from a tap. The powerful spray makes it so much easier to wash and rinse items. Used in most professional kitchens worldwide, it's a must-have for accomplished chefs.

PULL OUT SPRAY TAPS

Some taps really have it all, when they combine both pull out and spray features and offer the option of normal flow or a pressured spray along with the flexibility to reach every corner of the sink!



ASPEN PULL-OUT



ASPS2/CH - Polished Chrome

GENERAL FEATURES

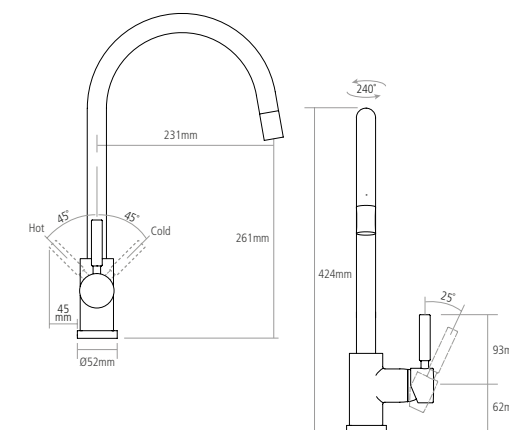
- Pull-out design
- Minimum 0.5 bar pressure required
- Single lever ceramic valve
- Single flow
- Extendable hose

OPTIONAL EXTRAS

- ECO/AERATOR1 Aerator
- Available to buy online caple.co.uk

DIMENSIONS

- Worktop cut out 35mm required
- Pull-out hose extended by 650mm



ASPS3/SS - Stainless Steel

Stainless
STEEL

GENERAL FEATURES

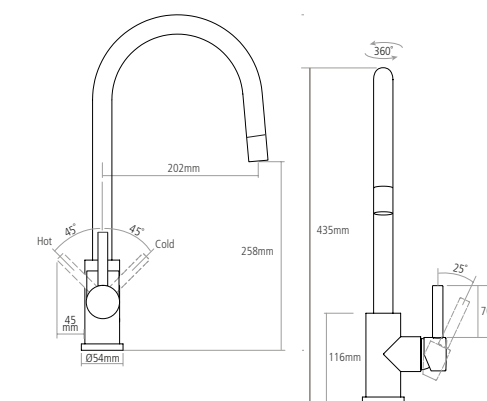
- Pull-out design
- Made from solid Stainless Steel
- Minimum 0.5 bar pressure required
- Single lever ceramic valve
- Single flow
- Extendable hose

OPTIONAL EXTRAS

- ECO/AERATOR1 Aerator
- Available to buy online caple.co.uk

DIMENSIONS

- Worktop cut out 35mm required
- Pull-out hose extended by 500mm



ATLANTA PULL-OUT

ATLP/SS - Stainless Steel

Stainless
STEEL

GENERAL FEATURES

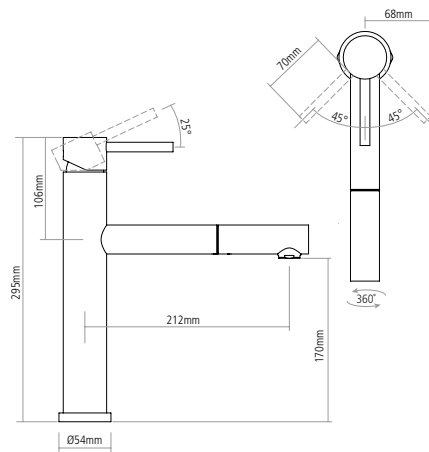
- Single lever design
- Made from solid Stainless Steel
- Seamless body with 360° pivot at the base
- Minimum 0.5 bar pressure required
- Single lever ceramic valve
- Single flow
- Grey braided extendable hose

OPTIONAL EXTRAS

- ECO/AERATOR1 Aerator
- Available to buy online caple.co.uk

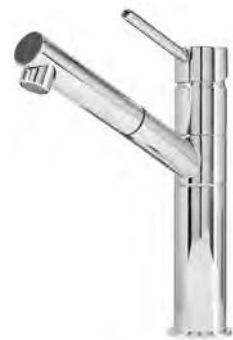
DIMENSIONS

- Worktop cut out 35mm required
- Pull-out hose extended by 400mm



BROOKLINE PULL-OUT

BRO/SP/CH - Polished Chrome



GENERAL FEATURES

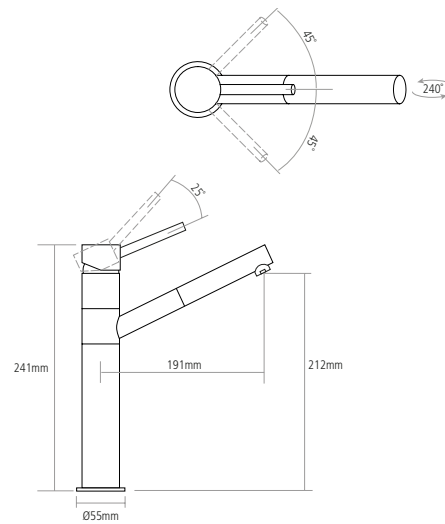
- Single lever design
- Minimum 0.5 bar pressure required
- Single lever ceramic valve
- Single flow
- Extendable hose
- 180° swivel spout

OPTIONAL EXTRAS

- ECO/AERATOR1 Aerator
- Available to buy online caple.co.uk

DIMENSIONS

- Worktop cut out 35mm required
- Pull-out hose extended by 650mm



LANDIS PULL-OUT

LAN/SP/CH - Polished Chrome



GENERAL FEATURES

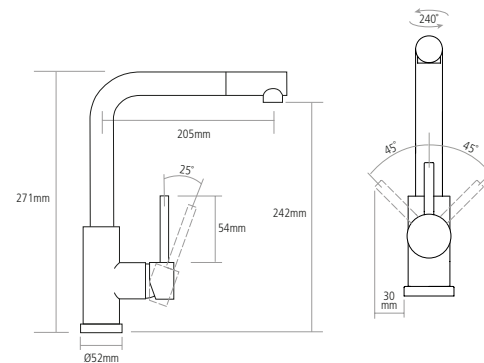
- Single lever design
- Minimum 0.3 bar pressure required
- Single lever ceramic valve
- Single flow
- Extendable hose

OPTIONAL EXTRAS

- ECO/AERATOR1 Aerator
- Available to buy online caple.co.uk

DIMENSIONS

- Worktop cut out 35mm required
- Pull-out hose extended by 660mm



HOWE PROFESSIONAL PULL-OUT

HOW/SS - Stainless Steel

Stainless
STEEL

GENERAL FEATURES

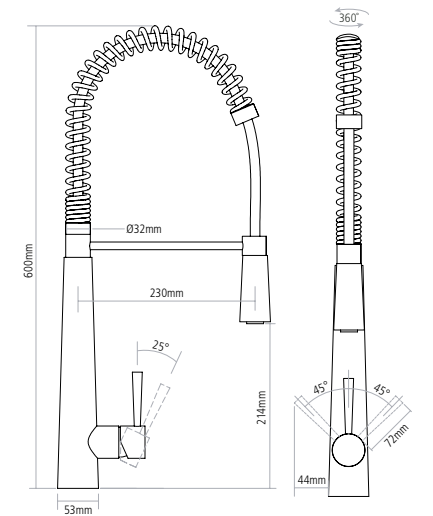
- Single lever design
- Made from solid Stainless Steel
- Minimum 0.5 bar pressure required
- Single lever ceramic valve
- Single flow
- Extendable hose

OPTIONAL EXTRAS

- ECO/AERATOR1 Aerator
- Available to buy online caple.co.uk

DIMENSIONS

- Worktop cut out 35mm required
- Pull-out hose extended by 600mm



FREEMONT PULL-OUT SPRAY

FRE/CH - Polished Chrome

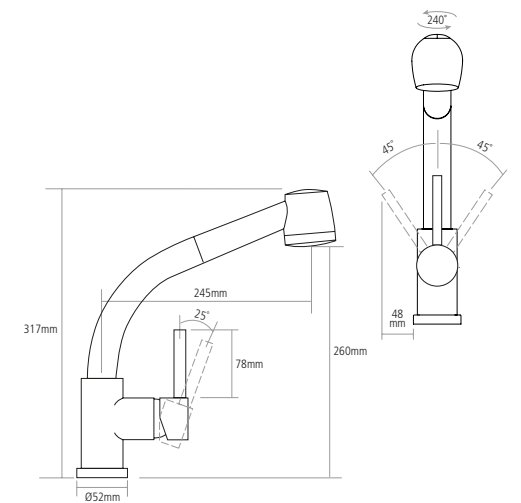


GENERAL FEATURES

- Single lever design
- Minimum 0.3 bar pressure required
- Single lever ceramic valve
- Single flow
- Push button spray head
- Extendable hose

DIMENSIONS

- Worktop cut out 35mm required
- Pull-out hose extended by 500mm



TORRENT PROFESSIONAL PULL-OUT SPRAY

TOR2/CH - Polished Chrome

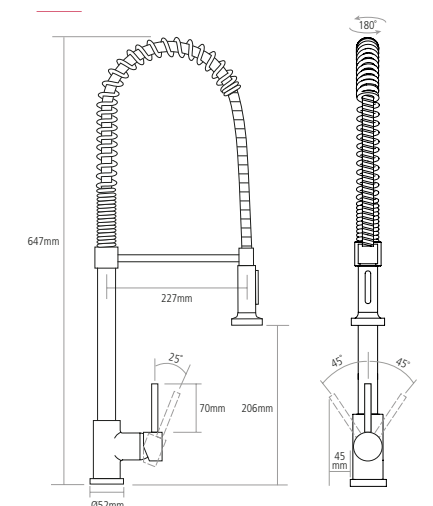


GENERAL FEATURES

- Single lever design
- Minimum 0.5 bar pressure required
- Single lever ceramic valve
- Single flow
- Push button spray head
- Extendable hose

DIMENSIONS

- Worktop cut out 35mm required
- Pull-out hose extended by 600mm





NOVATO SPRAY

NOV/SS - Stainless Steel

Stainless
STEEL

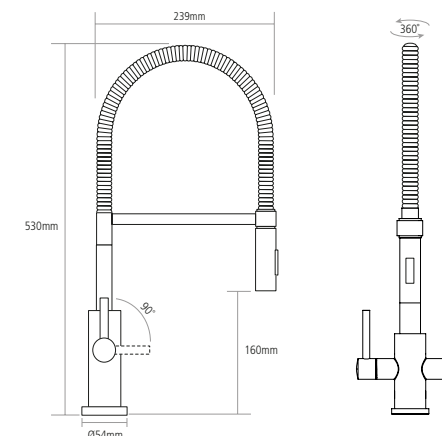


GENERAL FEATURES

- Push button spray head
- Made from solid Stainless Steel
- Monobloc design
- Minimum 0.5 bar pressure required
- Quarter turn ceramic valves
- Single flow

DIMENSIONS

- Worktop cut out 35mm required



SPIRO PULL-OUT SPRAY

SPI2/CH - Polished Chrome

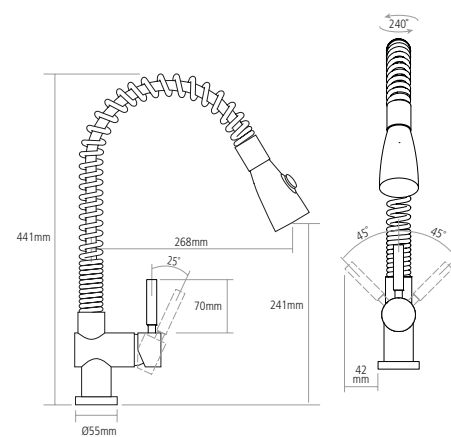


GENERAL FEATURES

- Single lever design
- Minimum 0.5 bar pressure required
- Single lever ceramic valve
- Single flow
- Push button spray head
- Extendable hose

DIMENSIONS

- Worktop cut out 35mm required
- Pull-out hose extended by 600mm



PRETO

PRE/BK - Matt Black

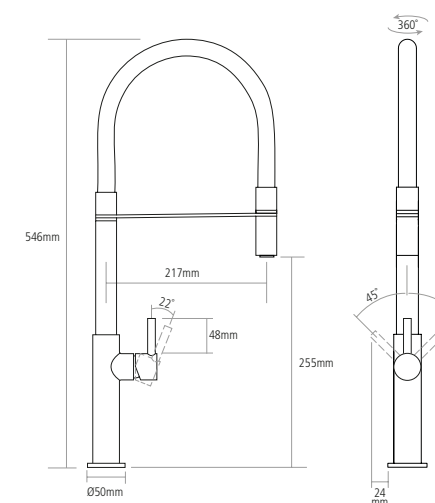


GENERAL FEATURES

- Single lever design
- Minimum 0.5 bar pressure required
- Single lever ceramic valve
- Flexible hose
- Single flow

DIMENSIONS

- Worktop cut out 35mm required



SPI2/SS - Stainless Steel

Stainless
STEEL



GENERAL FEATURES

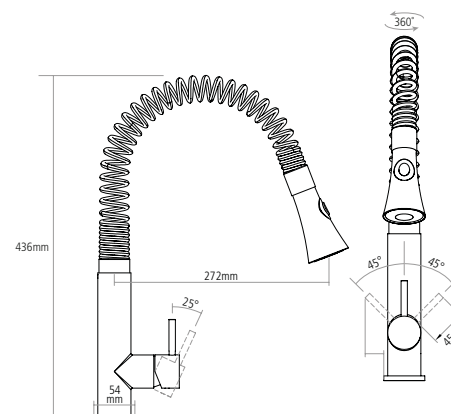
- Single lever design
- Made from solid Stainless Steel
- Minimum 0.5 bar pressure required
- Single lever ceramic valve
- Single flow
- Push button spray head
- Grey extendable hose

OPTIONAL EXTRAS

- ECO/AERATOR1 Aerator
- Available to buy online caple.co.uk

DIMENSIONS

- Worktop cut out 35mm required
- Pull-out hose extended by 600mm



RAWLING SPRAY

RAW2/CH - Polished Chrome + Black

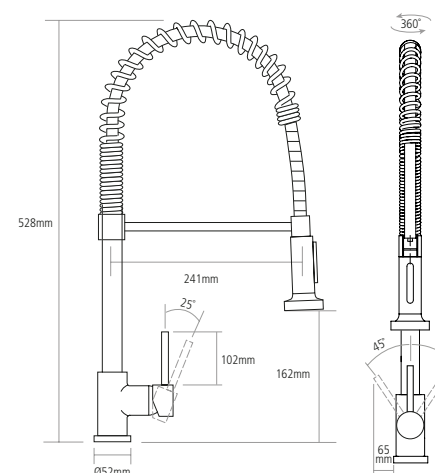


GENERAL FEATURES

- Single lever design
- Minimum 0.5 bar pressure required
- Single lever ceramic valve
- Single flow
- Push button spray head
- Black flexible hose

DIMENSIONS

- Worktop cut out 35mm required



POLCA SPRAY



POL/BK - Stainless Steel and Black

Stainless
STEEL

GENERAL FEATURES

- Single lever design
- Minimum 0.5 bar pressure required
- Single lever ceramic valve
- Single flow
- Push button spray head
- Textured spray head design
- Made from Solid Stainless Steel

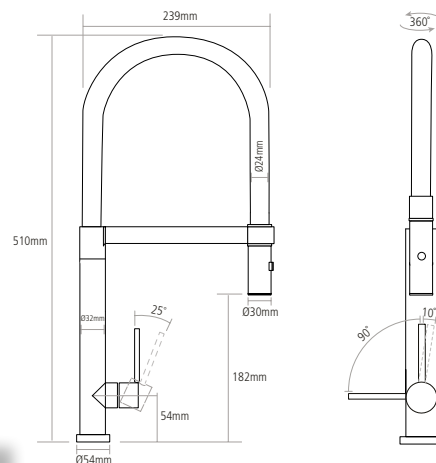
DIMENSIONS

- Worktop cut out 35mm required



STYLE IN THE DETAILS

Its textured head not only adds style to your kitchen but also enhances grip for effortless use, redefining everyday design



NAVITIS



NAV/CH - Polished Chrome

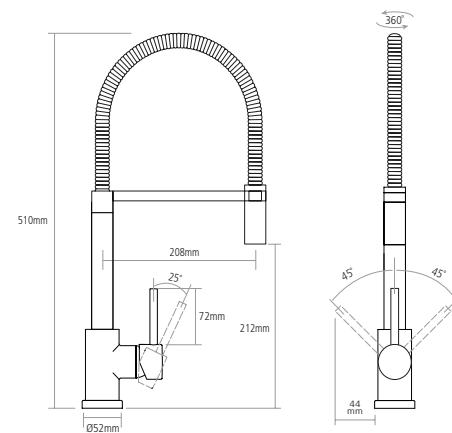
NAV/BCH - Black Chrome Finish

GENERAL FEATURES

- Single lever design
- Minimum 0.5 bar pressure required
- Single lever ceramic valve
- Single flow

DIMENSIONS

- Worktop cut out 35mm required



NAVITIS SPRAY



NAV/SS - Stainless Steel

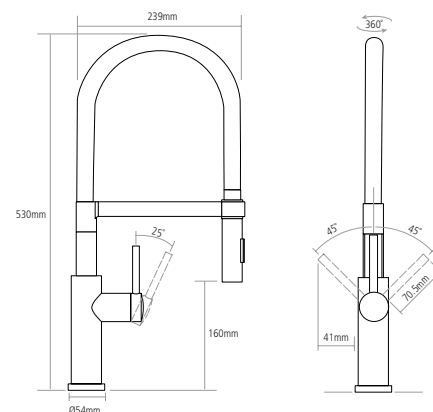
Stainless
STEEL

GENERAL FEATURES

- Single lever design
- Made from solid Stainless Steel
- Minimum 0.5 bar pressure required
- Single lever ceramic valve
- Single flow
- Flexible hose
- Push button spray head

DIMENSIONS

- Worktop cut out 35mm required



Pot Fillers.

COOK WITH EASE

Make kitchen chores a breeze with these stylish and convenient taps designed for easy pot filling. Install them effortlessly above your hob for quick and efficient access. Choose from our range featuring both modern and traditional finishes to fit any aesthetic.

PAIR UP

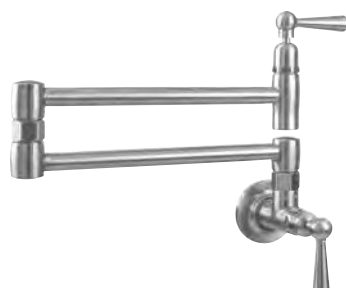
Why not pair with one of our timeless or contemporary Caple taps to ensure a cohesive aesthetic across your entire kitchen.



BANWELL

BAN/SS - Stainless Steel

Stainless
STEEL

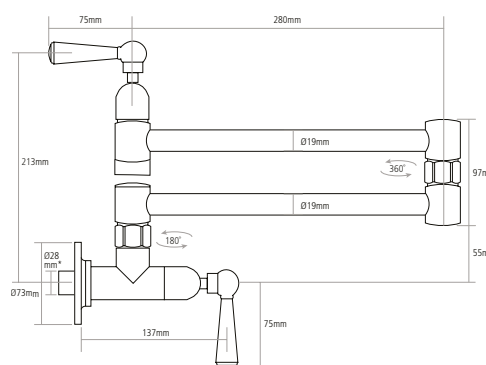


GENERAL FEATURES

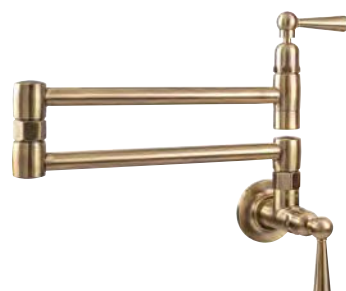
- Wall mounted pot filler
- Cold water supply only
- Solid Stainless Steel
- Minimum 0.5 bar pressure required
- Extendible spout
- Quarter turn ceramic valve
- Single flow

OPTIONAL EXTRAS

- ECO/AERATOR1 Aerator
- Available to buy online caple.co.uk



BAN/AB - Antique Brass

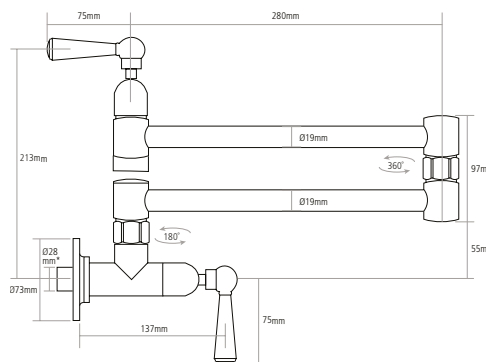


GENERAL FEATURES

- Wall mounted pot filler
- Cold water supply only
- Solid Stainless Steel with Antique Brass finish
- Minimum 0.5 bar pressure required
- Extendible spout
- Quarter turn ceramic valve
- Single flow

OPTIONAL EXTRAS

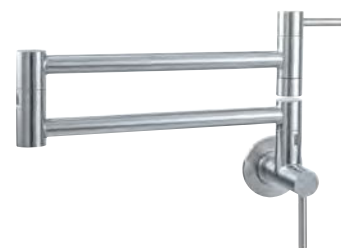
- ECO/AERATOR1 Aerator
- Available to buy online caple.co.uk



PENTO

PEN/SS - Stainless Steel

Stainless
STEEL

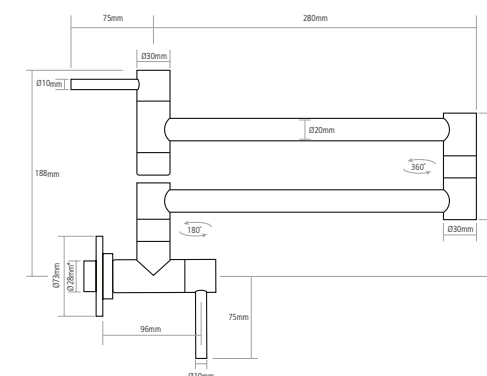


GENERAL FEATURES

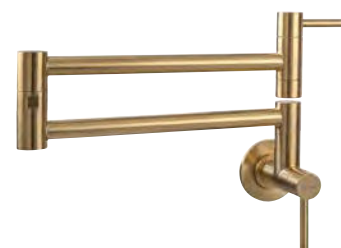
- Wall mounted pot filler
- Cold water supply only
- Solid Stainless Steel
- Minimum 0.5 bar pressure required
- Extendible spout
- Quarter turn ceramic valve
- Single flow

OPTIONAL EXTRAS

- ECO/AERATOR1 Aerator
- Available to buy online caple.co.uk



PEN/GD - Gold

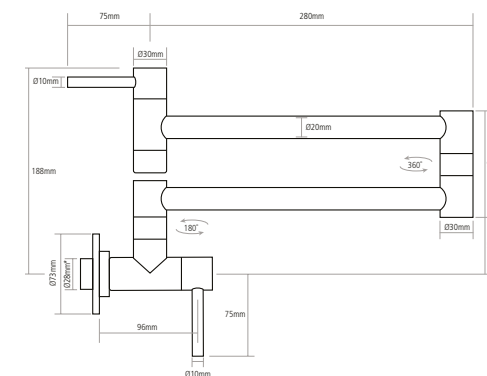


GENERAL FEATURES

- Wall mounted pot filler
- Cold water supply only
- Solid Stainless Steel with Gold PVD coating
- Minimum 0.5 bar pressure required
- Extendible spout
- Quarter turn ceramic valve
- Single flow

OPTIONAL EXTRAS

- ECO/AERATOR1 Aerator
- Available to buy online caple.co.uk



Single Control Taps.



ENDLESS CHOICE

With Caple's single control taps you can be sure that the engineering that goes in to one of our taps is second to none. Smooth gliding operation, robust seals and a solid finish. So now all you have to do is decide which style and finish is best for you. With various finishes in so many designs from the classic to the contemporary, it maybe harder task than you think.

SINGLE LEVER SIMPLICITY

Everything controlled by a single lever
 - move it left and right for temperature, or up and down for pressure.

PROGRESSIVE VALVE

Control your tap with a simple rotating motion. The water flow starts cold and gradually gets warmer. The more you turn the control, the hotter the temperature whilst the water flow gradually increases.



NOLITO

NOL/SS - Stainless Steel

Stainless STEEL



GENERAL FEATURES

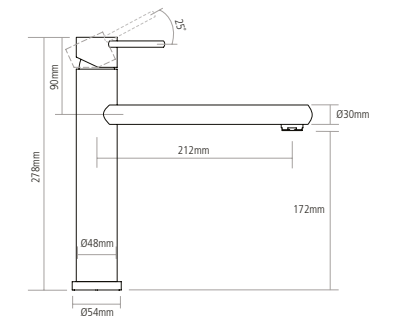
- Made from solid Stainless Steel
- Minimum 0.5 bar pressure required
- Single lever design
- Seamless body with 360° pivot at the base
- Single flow
- Diamond knurled design

OPTIONAL EXTRAS

- ECO/AERATOR1 Aerator
- Available to buy online caple.co.uk

DIMENSIONS

- Worktop cut out 35mm required



NOL/GD - Gold

GENERAL FEATURES

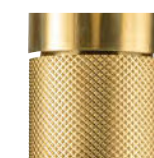
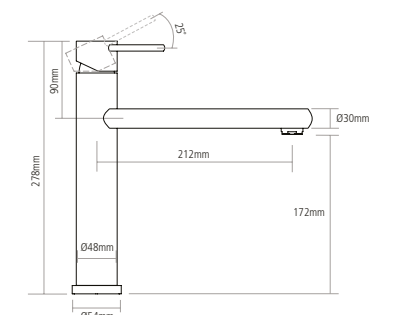
- Made from solid Stainless Steel
- Gold PVD coating
- Minimum 0.5 bar pressure required
- Single lever design
- Seamless body with 360° pivot at the base
- Single flow
- Diamond knurled design

OPTIONAL EXTRAS

- ECO/AERATOR1 Aerator
- Available to buy online caple.co.uk

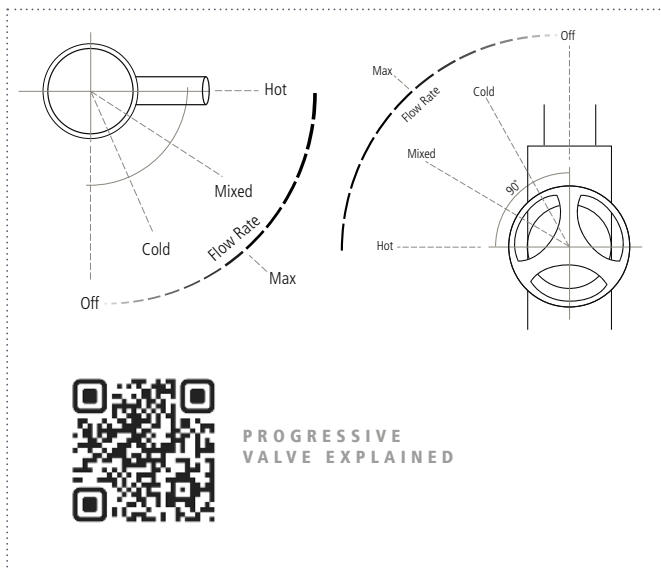
DIMENSIONS

- Worktop cut out 35mm required



ELEGANT DIAMOND KNURLED DESIGN

Elevate your kitchen space with Nolito Taps, adorned with a diamond-knurled feature on both the body and handle, adding a touch of sophistication to your surroundings.





ASPEN

Stainless STEEL



ASP2/SS - Stainless Steel

ASP2/PG - Pebble Grey

ASP2/AN - Anthracite

GENERAL FEATURES

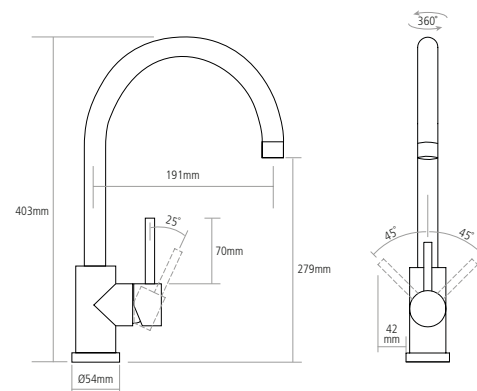
- Made from solid stainless steel
- Single lever design
- Anthracite & Pebble Grey matching granite sinks available [pg 31 - 39]
- Minimum 0.3 bar pressure required
- Single lever ceramic valve
- Single flow

OPTIONAL EXTRAS

- ECO/AERATOR1 Aerator
- Available to buy online caple.co.uk

DIMENSIONS

- Worktop cut out 35mm required



ASPEN



ASP2/CH - Polished Chrome

WRAS

GENERAL FEATURES

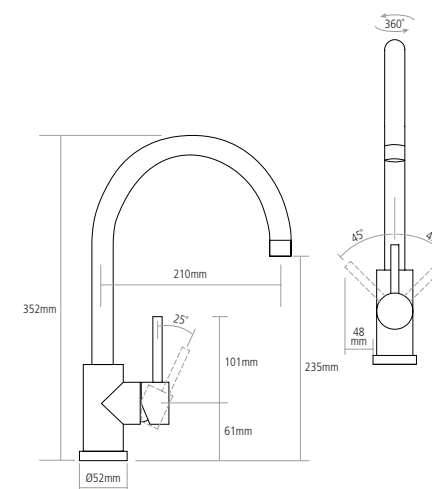
- Single lever design
- Minimum 0.3 bar pressure required
- Single lever ceramic valve
- Single flow
- WRAS approved

OPTIONAL EXTRAS

- ECO/AERATOR2 Aerator
- Available to buy online caple.co.uk

DIMENSIONS

- Worktop cut out 35mm required



ASPEN



ASPQ2/CH - Polished Chrome

WRAS

GENERAL FEATURES

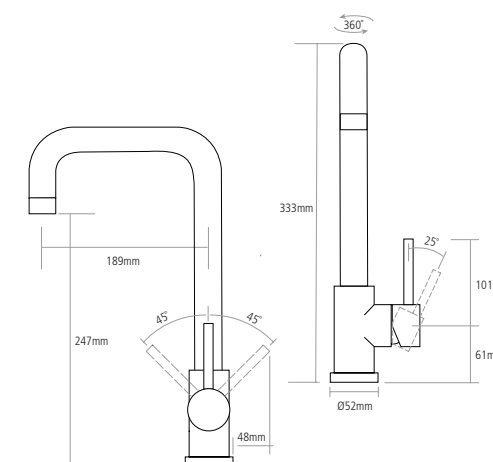
- Single lever design
- Minimum 0.5 bar pressure required
- Single lever ceramic valve
- Single flow
- WRAS approved

OPTIONAL EXTRAS

- ECO/AERATOR1 Aerator
- Available to buy online caple.co.uk

DIMENSIONS

- Worktop cut out 35mm required



ASPEN



ASPQ2/SS - Stainless Steel

Stainless STEEL

GENERAL FEATURES

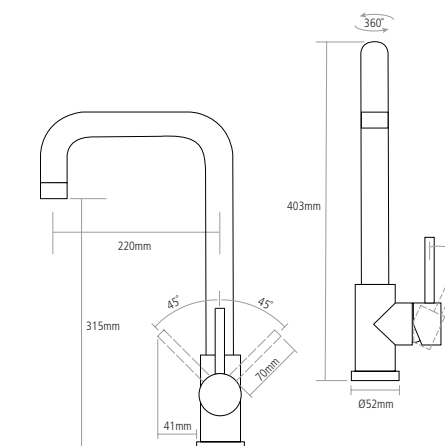
- Single lever design
- Made from solid Stainless Steel
- Minimum 0.5 bar pressure required
- Single lever ceramic valve
- Single flow

OPTIONAL EXTRAS

- ECO/AERATOR1 Aerator
- Available to buy online caple.co.uk

DIMENSIONS

- Worktop cut out 35mm required





ATLANTA

ATL2/CH - Polished Chrome

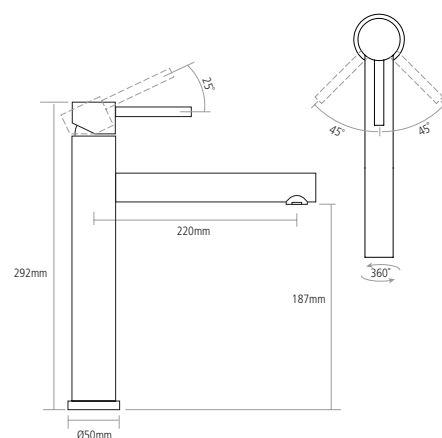


GENERAL FEATURES

- Single lever design
- Minimum 0.5 bar pressure required
- Single lever ceramic valve
- Single flow

DIMENSIONS

- Worktop cut out 35mm required



ATL/SS - Stainless Steel

Stainless
STEEL



GENERAL FEATURES

- Single lever design
- Made from solid Stainless Steel
- Seamless body with 360° pivot at the base
- Minimum 0.5 bar pressure required
- Single lever ceramic valve
- Single flow

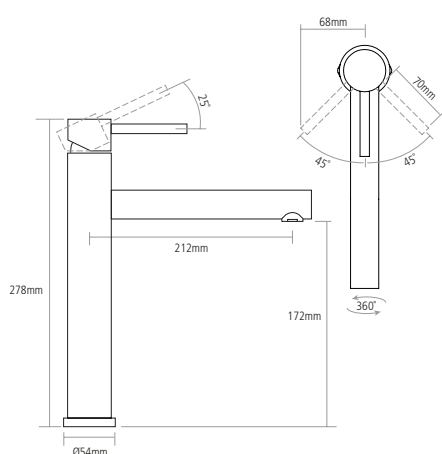
OPTIONAL EXTRAS

- ECO/AERATOR1 Aerator

Available to buy online
caple.co.uk

DIMENSIONS

- Worktop cut out 35mm required



BROOKLINE

BRO/CH - Polished Chrome



GENERAL FEATURES

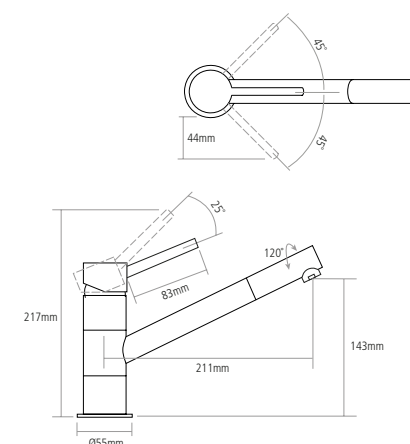
- Single lever design
- Minimum 0.3 bar pressure required
- Single lever ceramic valve
- Adjustable nozzle
- Single flow

OPTIONAL EXTRAS

- ECO/AERATOR2 Aerator
- Available to buy online
caple.co.uk

DIMENSIONS

- Worktop cut out 35mm required



COGNITUS

COG/BC - Blackened Copper

Stainless
STEEL



GENERAL FEATURES

- Solid Stainless Steel with Blackened Copper Finish
- Monobloc design
- Progressive valve [Scan QR code for more information]
- Minimum 0.5 bar pressure required
- Single flow

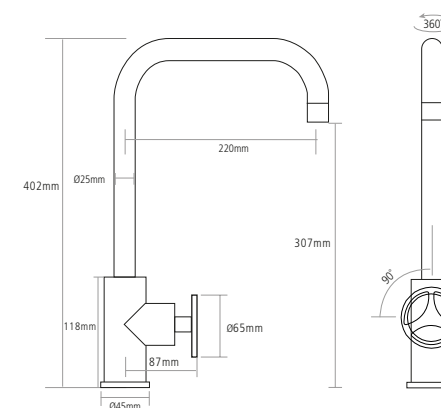
OPTIONAL EXTRAS

- ECO/AERATOR1 Aerator

Available to buy online
caple.co.uk

DIMENSIONS

- Worktop cut out 26mm required



DELTA

DEL/CH - Polished Chrome

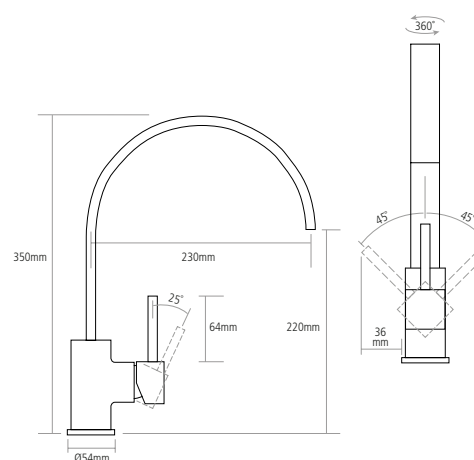


GENERAL FEATURES

- Single lever design
- Minimum 0.5 bar pressure required
- Single lever ceramic valve
- Single flow

DIMENSIONS

- Worktop cut out 35mm required





FRAMPTON

Stainless Steel



FRA/SS - Stainless Steel

FRA/AB - Antique Brass

GENERAL FEATURES

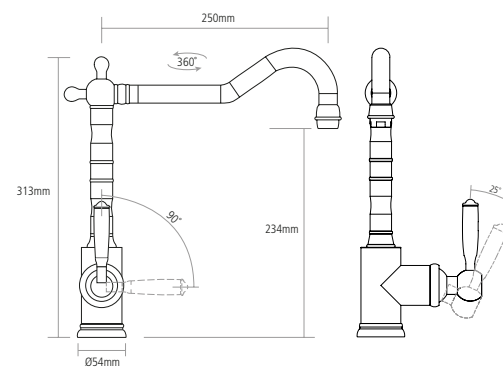
- Made from solid Stainless Steel
- Minimum 0.5 bar pressure required
- Single lever ceramic valve
- Monobloc design

OPTIONAL EXTRAS

- ECO/AERATOR1 Aerator
- Available to buy online caple.co.uk

DIMENSIONS

- Worktop cut out 35mm required



FLUTIER



FLT/CH - Polished Chrome

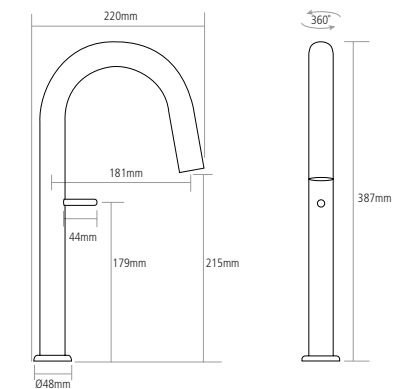
FLT/BK - Black with Copper Lever + Base

GENERAL FEATURES

- Monobloc design
- Progressive valve [Scan QR code for more information]
- Minimum 0.5 bar pressure required
- Single flow

DIMENSIONS

- Worktop cut out 35mm required





DANVERS

DAN/CH - Polished Chrome



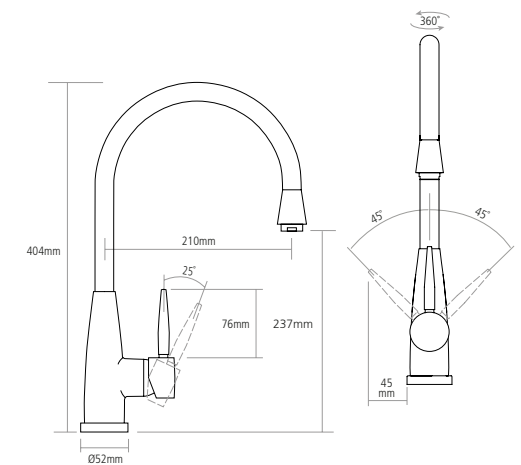
- GENERAL FEATURES**
- Single lever design
 - Minimum 0.1 bar pressure required
 - Single lever ceramic valve
 - Single flow

OPTIONAL EXTRAS

- ECO/AERATOR1 Aerator

Available to buy online
caple.co.uk

- DIMENSIONS**
- Worktop cut out 35mm required



KARNS

Stainless STEEL



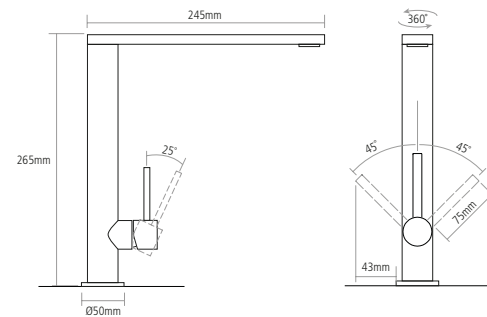
KAR/SS - Stainless Steel **KAR/GM** - Gunmetal **KAR/BS** - Black Steel **KAR/BK** - Chromite Black **KAR/CO** - Copper **KAR/GD** - Gold

GENERAL FEATURES

- Made from solid Stainless Steel
- Metallic PVD coating for coloured taps
- Single lever design
- Minimum 0.5 bar pressure required
- Single lever ceramic valve
- Single flow

DIMENSIONS

- Worktop cut out 35mm required



DUMAS

DUM/CH - Polished Chrome



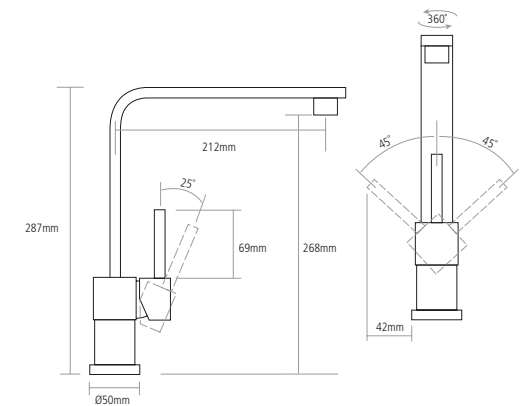
- GENERAL FEATURES**
- Single lever design
 - Minimum 0.3 bar pressure required
 - Single lever ceramic valve
 - Single flow

OPTIONAL EXTRAS

- ECO/AERATOR1 Aerator

Available to buy online
caple.co.uk

- DIMENSIONS**
- Worktop cut out 35mm required



FRESNO

FRS/CH - Polished Chrome



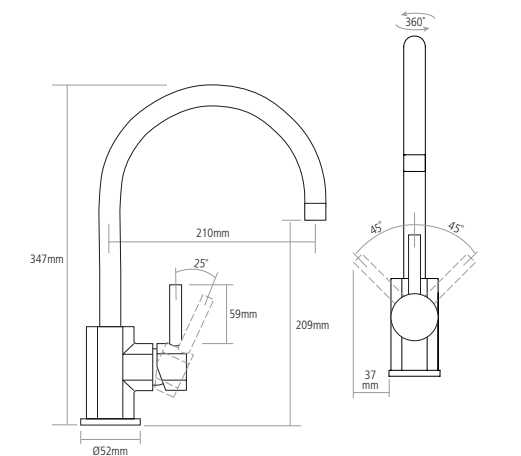
- GENERAL FEATURES**
- Single lever design
 - Minimum 0.3 bar pressure required
 - Single lever ceramic valve
 - Single flow

OPTIONAL EXTRAS

- ECO/AERATOR2 Aerator

Available to buy online
caple.co.uk

- DIMENSIONS**
- Worktop cut out 35mm required





RIDLEY

Stainless STEEL



RID/SS - Stainless Steel

RID/GM - Gunmetal

RID/BS - Black Steel

RID/CO - Copper

RID/GD - Gold

GENERAL FEATURES

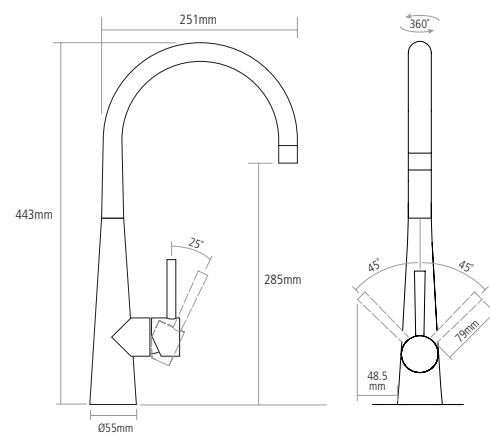
- Made from solid Stainless Steel
- Metallic PVD coating for coloured taps
- Single lever design
- Minimum 0.5 bar pressure required
- Single lever ceramic valve
- Single flow

OPTIONAL EXTRAS

- ECO/AERATOR1 Aerator
- Available to buy online caple.co.uk

DIMENSIONS

- Worktop cut out 35mm required



TAYO

TAY/SS - Stainless Steel

Stainless STEEL



GENERAL FEATURES

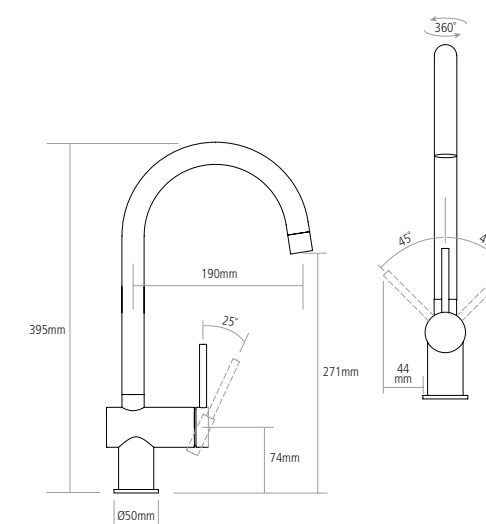
- Single lever design
- Minimum 0.5 bar pressure required
- Single lever ceramic valve
- Single flow

OPTIONAL EXTRAS

- ECO/AERATOR1 Aerator
- Available to buy online caple.co.uk

DIMENSIONS

- Worktop cut out 35mm required



TAYO QUAD

TAYQ/SS - Stainless Steel

Stainless STEEL



GENERAL FEATURES

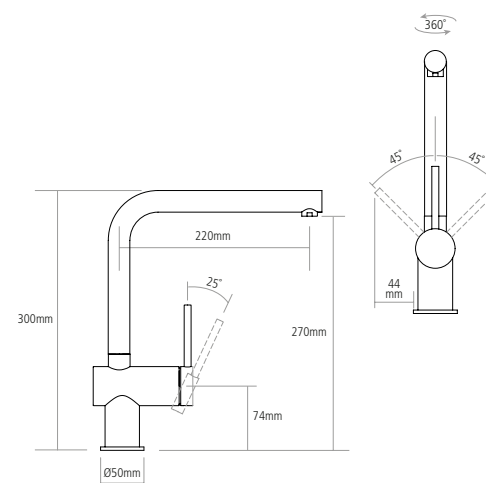
- Single lever design
- Minimum 0.5 bar pressure required
- Single lever ceramic valve
- Single flow

OPTIONAL EXTRAS

- ECO/AERATOR1 Aerator
- Available to buy online caple.co.uk

DIMENSIONS

- Worktop cut out 35mm required



HAYDEN

HAY/SS - Stainless Steel

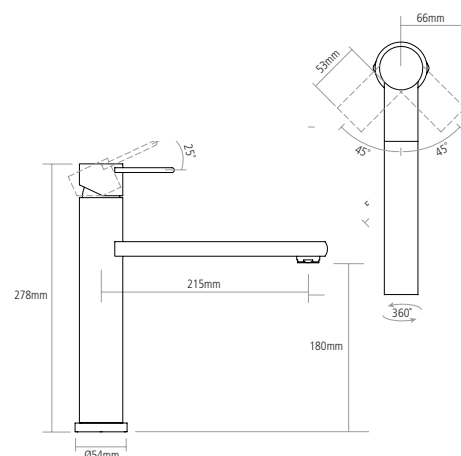
Stainless
STEEL

GENERAL FEATURES

- Single lever design
- Made from solid Stainless Steel
- Seamless body with 360° pivot at the base
- Minimum 0.5 bar pressure required
- Single lever ceramic valve
- Single flow

DIMENSIONS

- Worktop cut out 35mm required



LANDIS

LAN/CH - Polished Chrome



GENERAL FEATURES

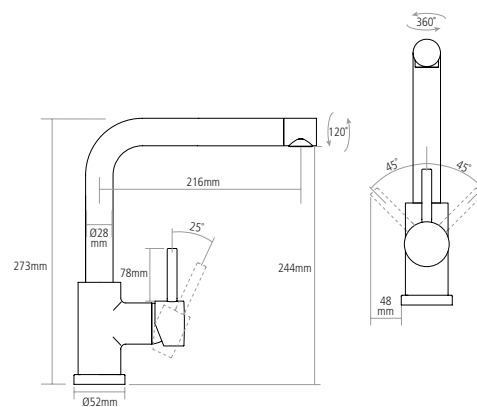
- Single lever design
- Minimum 0.3 bar pressure required
- Adjustable nozzle
- Single lever ceramic valve
- Single flow

OPTIONAL EXTRAS

- ECO/AERATOR1 Aerator
- Available to buy online caple.co.uk

DIMENSIONS

- Worktop cut out 35mm required



SWANSON

SWA/CH - Polished Chrome



GENERAL FEATURES

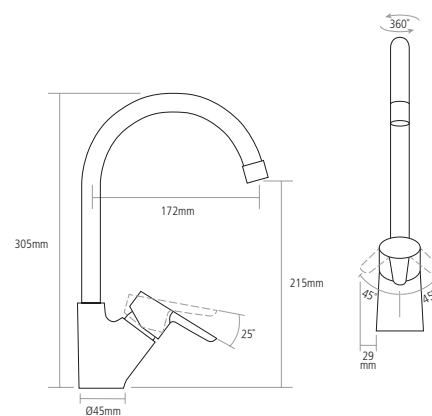
- Single lever design
- Minimum 0.3 bar pressure required
- Single lever ceramic valve
- Single flow

OPTIONAL EXTRAS

- ECO/AERATOR2 Aerator
- Available to buy online caple.co.uk

DIMENSIONS

- Worktop cut out 35mm required



SINGLE LEVER

SLD2/CH - Polished Chrome



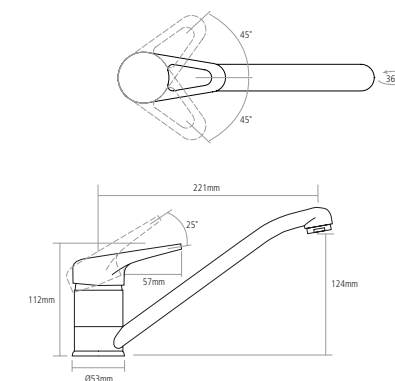
GENERAL FEATURES

- Single lever design
- Minimum 0.3 bar pressure required
- Single lever ceramic valve
- Single flow
- WRAS approved

The SLD2/CH has been designed to conform to water efficiency requirements, it has a flow rate of less than 4 litres per minute at 3 bar.

DIMENSIONS

- Worktop cut out 35mm required



SL7/CH - Polished Chrome

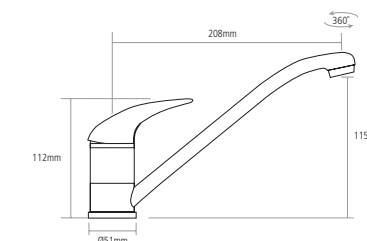


GENERAL FEATURES

- Single lever design
- Minimum 0.3 bar pressure required
- Single lever ceramic valve
- Single flow
- WRAS approved

DIMENSIONS

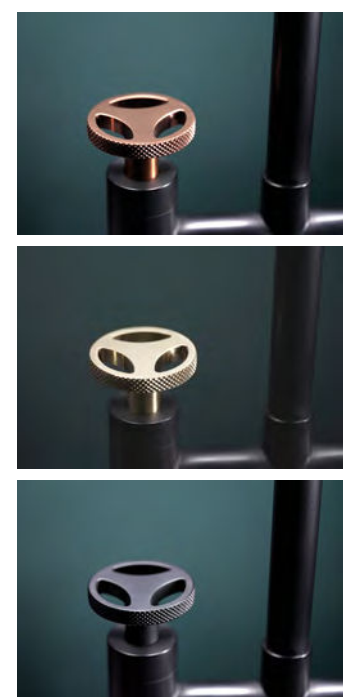
- Worktop cut out 35mm required



Bridge Taps.

Bridge taps have a Victorian inspired design characterised by a bridge-like structure connecting the separate hot and cold water inlets. Previously, the design and styling of bridge taps has made them a popular choice for traditional kitchens, with our popular Putney and Knightsbridge models. However, our newest bridge taps, Ember and Kora offer an ultra-contemporary twist on the classic bridge taps design.

With a single, central spout and an integrated cold-to-hot water connection, you're in complete control. Easily adjust and achieve the perfect water temperature for your needs. Experience the beauty of balance with bridge taps – where form meets function.



MAKE A STATEMENT WITH THE NEW EMBER BRIDGE TAP!

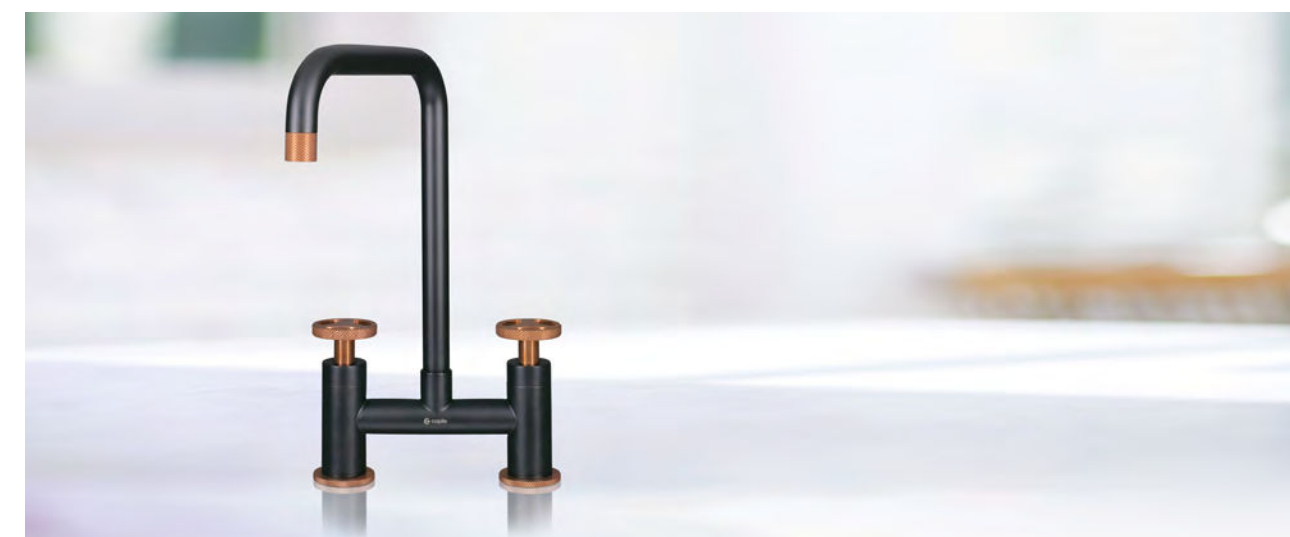
With its diamond-knurled accents and on-trend Matt Black finish, the new Ember Bridge tap will add a touch of modern design.

But that's not all - Its cog-style handles and accessories come in 3 colours, Copper, Gold and Black to complement any kitchen style.

Plus, with its bridge design, this tap offers unbeatable form and functionality.



EMBER BRIDGE IN MORE DETAIL



EMBER BRIDGE



EMB/BRI/BK - Black

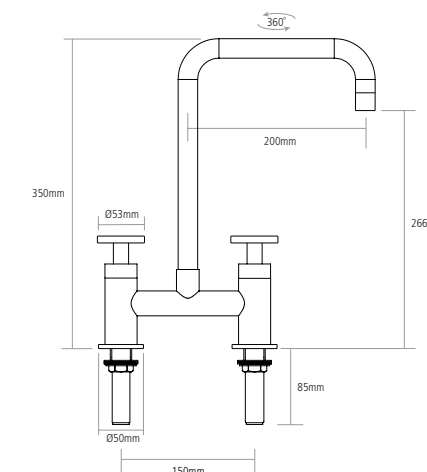


GENERAL FEATURES

- Bridge design
- Made from solid Stainless Steel
- Black finish, supplied with customisable diamond-knurled accents in Copper and Gold Stainless Steel PVD finish
- Minimum 0.5 bar pressure required
- Quarter turn ceramic valves
- Single flow

DIMENSIONS

- Worktop cut outs 26mm required



EMB/BRI/SS - Stainless Steel

Stainless STEEL

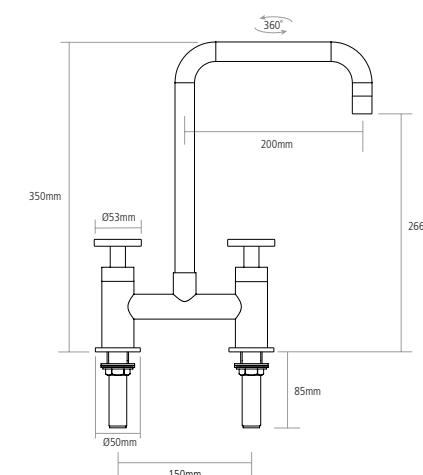


GENERAL FEATURES

- Bridge design
- Made from solid Stainless Steel
- Minimum 0.5 bar pressure required
- Quarter turn ceramic valves
- Single flow

DIMENSIONS

- Worktop cut out 26mm required





KNIGHTSBRIDGE

K/BRI4/CH - Polished Chrome



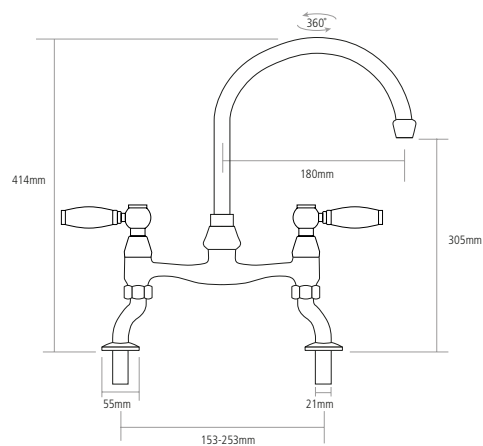
GENERAL FEATURES

- Bridge design
- Minimum 0.2 bar pressure required
- Quarter turn ceramic valves
- Dual flow

NOTE: Image shows tap levers in 'on' position

DIMENSIONS

- Worktop cut out 25mm required



KORA

KOR/BRI/SS - Stainless Steel

Stainless STEEL



GENERAL FEATURES

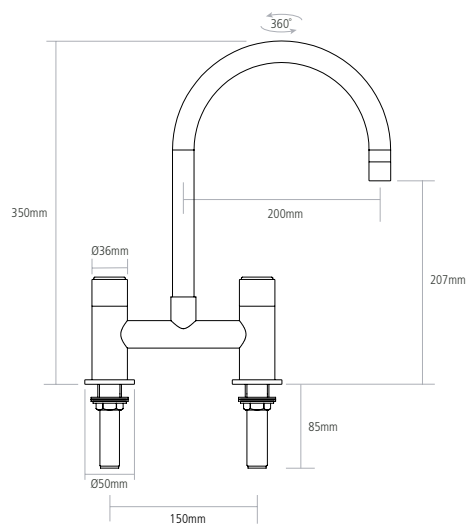
- Bridge design
- Made from solid Stainless Steel
- Minimum 0.5 bar pressure required
- Quarter turn ceramic valves
- Single flow

OPTIONAL EXTRAS

- ECO/AERATOR2 Aerator
- Available to buy online caple.co.uk

DIMENSIONS

- Worktop cut out 26mm required



PUTNEY BRIDGE

Stainless STEEL



PUT/BRI/PS - Polished Stainless Steel **PUT/BRI/SS** - Solid Stainless Steel **PUT/BRI/BC** - Blackened Copper **PUT/BRI/AB** - Antique Brass

GENERAL FEATURES

- Bridge design
- Made from solid Stainless Steel
- Metallic PVD coating for coloured taps
- Minimum 0.3 bar pressure required
- Quarter turn ceramic valves
- Single flow

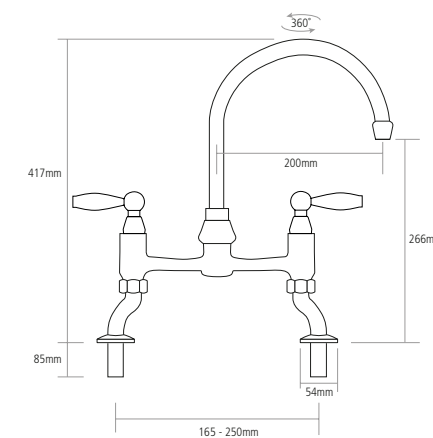
NOTE: Image shows tap levers in 'on' position

OPTIONAL EXTRAS

- ECO/AERATOR1 Aerator
- Available to buy online caple.co.uk

DIMENSIONS

- Worktop cut out 26mm required





Dual Control.

CLASSIC, COOL AND CONTEMPORARY

Classic does not mean old fashioned. For many of us dual control taps are a matter of personal preference. Hot on the left, cold on the right. It's as simple as that.

But even with the classic dual control, designs vary. There is the monobloc design or bridge design. Choose ceramic handles to match your ceramic sink. Sleek solid Stainless Steel – a premium material and very contemporary. Chrome - bright and reflective. Brushed Nickel – subtle and blemish free. Pewter. Distinctive with a traditional twist. All meticulously designed and beautifully engineered.

Whichever you choose you can be sure that they all have one thing in common Caple's uncompromising quality.



JOYA

Stainless STEEL



JOY/SS - Stainless Steel

JOY/GM - Gunmetal

JOY/BS - Black Steel

JOY/CO - Copper

JOY/GD - Gold

GENERAL FEATURES

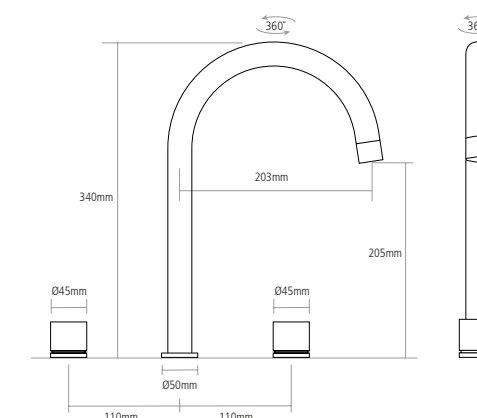
- Made from solid Stainless Steel
- Metallic PVD coating for coloured taps
- 3 Tap hole installation
- Quarter turn ceramic valves
- Single flow
- Minimum 0.5 bar pressure required

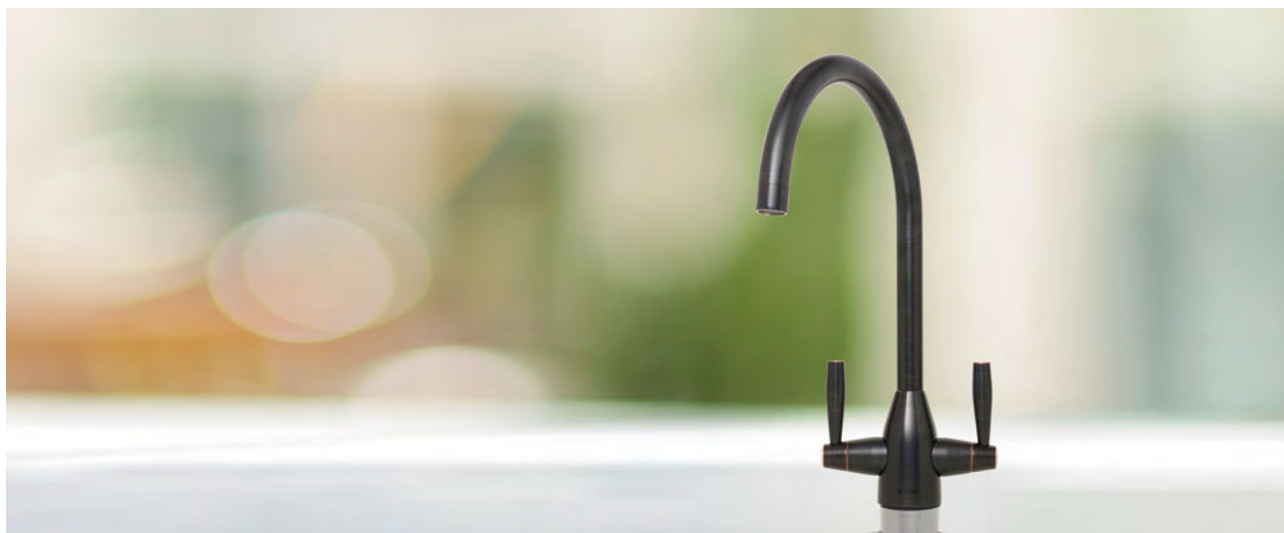
OPTIONAL EXTRAS

- ECO/AERATOR1 Aerator
- Available to buy online caple.co.uk

DIMENSIONS

- 3x 35mm worktop cut out required





AVEL



AVE4/BC - Blackened Copper **AVE4/BN** - Brushed Nickel **AVE4/CH** - Chrome

GENERAL FEATURES

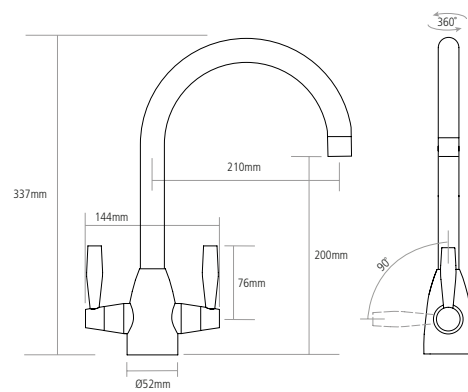
- Monobloc design
- Minimum 0.3 bar pressure required
- Quarter turn ceramic valve
- Single flow
- WRAS approved

OPTIONAL EXTRAS

- ECO/AERATOR2 Aerator
- Available to buy online cagle.co.uk

DIMENSIONS

- Worktop cut out 35mm required



AVEL



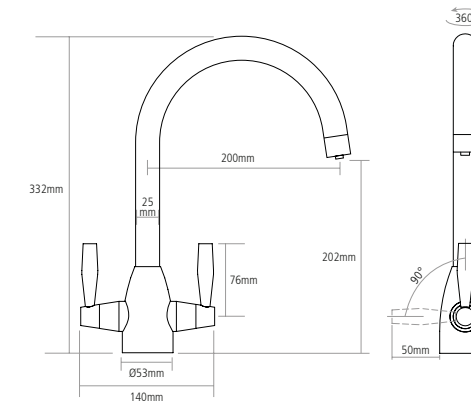
AVE2/BS - Black Steel **AVE2/CO** - Copper **AVE2/GD** - Gold **AVE2/GM** - Gunmetal **AVE2/SS** - Stainless Steel

GENERAL FEATURES

- Made from solid Stainless Steel
- Metallic PVD coating for coloured taps
- Monobloc design
- Minimum 0.5 bar pressure required
- Quarter turn ceramic valve
- Dual flow

DIMENSIONS

- Worktop cut out 35mm required



AVEL

AVE2/BK - Chromite Black

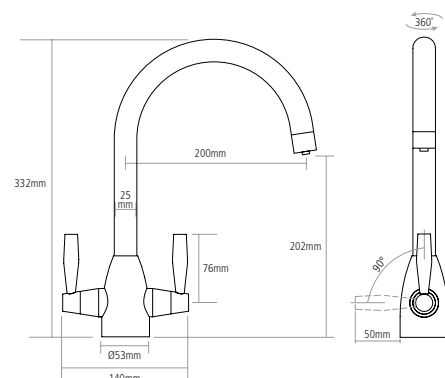


GENERAL FEATURES

- Made from solid Stainless Steel
- Monobloc design
- Minimum 0.5 bar pressure required
- Quarter turn ceramic valve
- Dual flow

DIMENSIONS

- Worktop cut out 35mm required



CRUCIFORM

CRU4/CH - Polished Chrome



GENERAL FEATURES

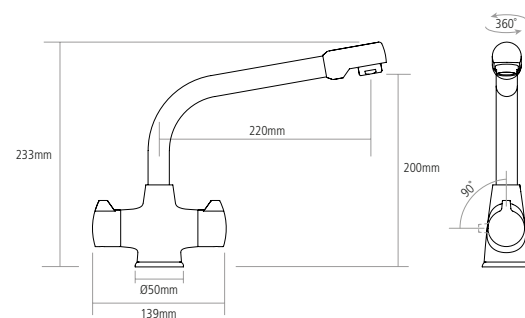
- Monobloc design
- Minimum 0.3 bar pressure required
- Quarter turn ceramic valves
- Single flow

OPTIONAL EXTRAS

- ECO/AERATOR1 Aerator
- Available to buy online caple.co.uk

DIMENSIONS

- Worktop cut out 35mm required



COLTON

COL/CH - Polished Chrome

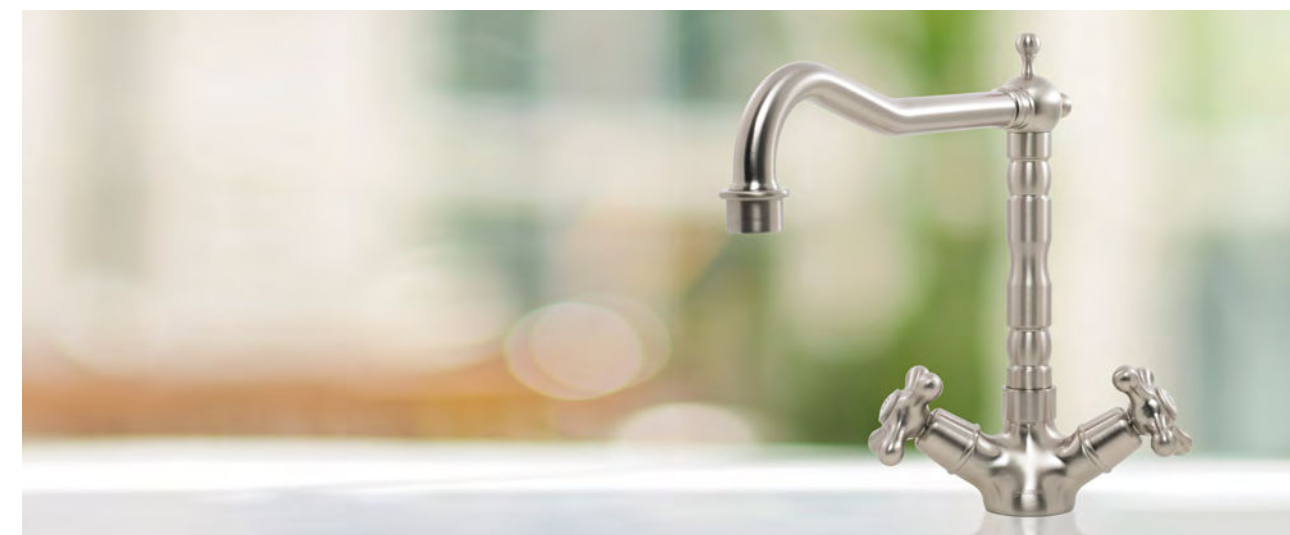
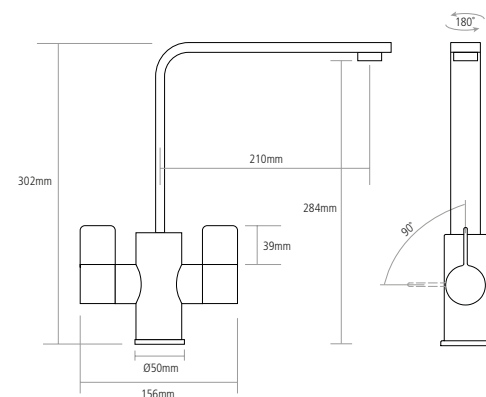


GENERAL FEATURES

- Monobloc design
- Minimum 0.3 bar pressure required
- Quarter turn ceramic valves
- Single flow
- 180° swivel spout

DIMENSIONS

- Worktop cut out 35mm required



ANTIQU



ANT4/CH - Polished Chrome

ANT4/BN - Brushed Nickel

GENERAL FEATURES

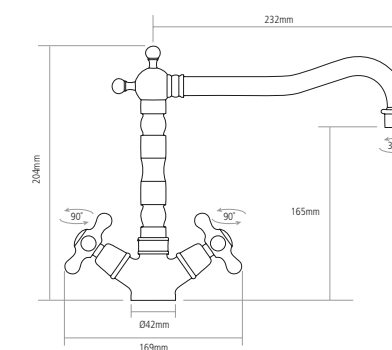
- Monobloc design
- Minimum 0.3 bar pressure required
- Quarter turn ceramic valve
- Single flow

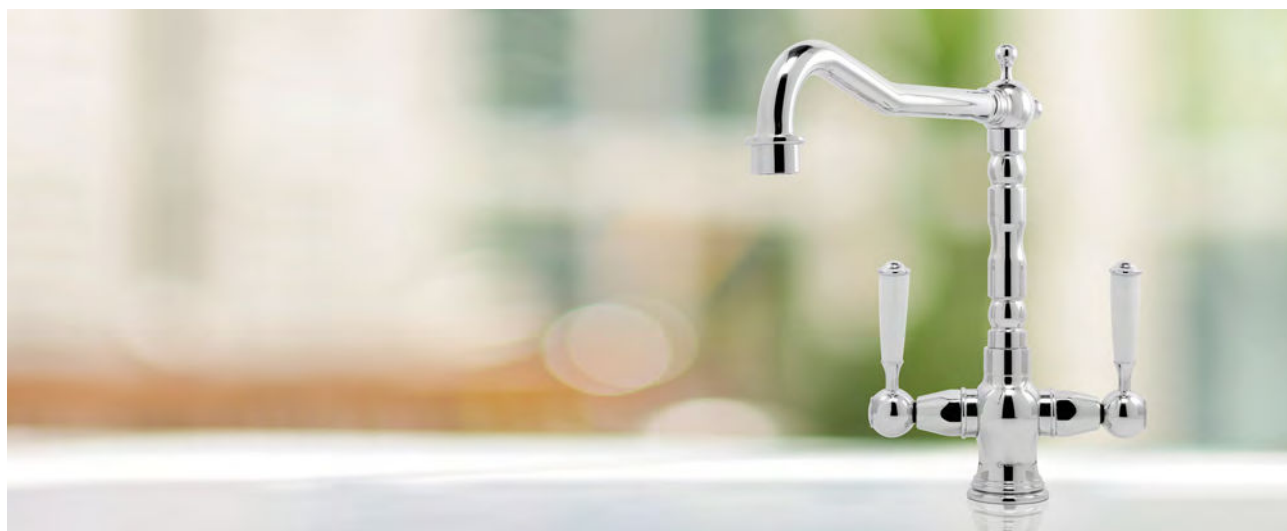
OPTIONAL EXTRAS

- ECO/AERATOR1 Aerator
- Available to buy online caple.co.uk

DIMENSIONS

- Worktop cut out 35mm required





HADLEY



HAD/CH - Polished Chrome

HAD/BN - Brushed Nickel

HAD/AB - Antique Brass

GENERAL FEATURES

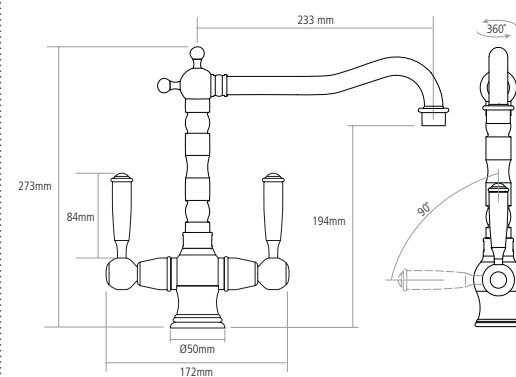
- Monobloc design
- Minimum 0.5 bar pressure required
- Quarter turn ceramic valve
- Single flow

OPTIONAL EXTRAS

- ECO/AERATOR1 Aerator
- Available to buy online caple.co.uk

DIMENSIONS

- Worktop cut out 35mm required



LEVAL



LEV3/CH - Polished Chrome

LEV3/BN - Brushed Nickel

GENERAL FEATURES

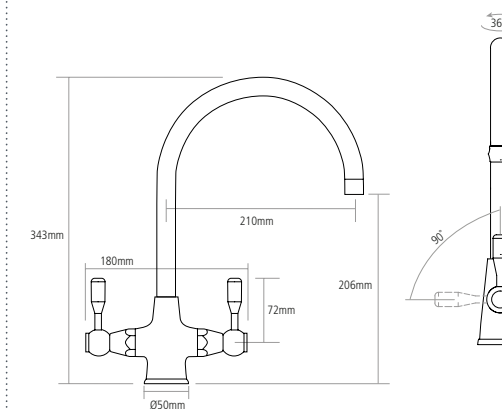
- Monobloc design
- Minimum 0.3 bar pressure required
- Quarter turn ceramic valves
- Single flow

OPTIONAL EXTRAS

- ECO/AERATOR2 Aerator
- Available to buy online caple.co.uk

DIMENSIONS

- Worktop cut out 35mm required



KNIGHTSBRIDGE

K/BRI4/CH - Polished Chrome



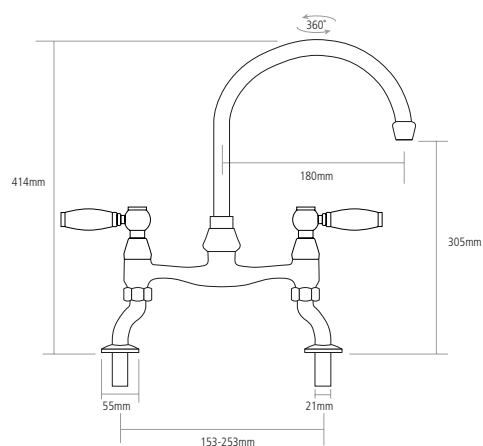
GENERAL FEATURES

- Bridge design
- Minimum 0.2 bar pressure required
- Quarter turn ceramic valves
- Dual flow

NOTE: Image shows tap levers in 'on' position

DIMENSIONS

- Worktop cut out 25mm required



KONTRO

KON3/CH - Polished Chrome



GENERAL FEATURES

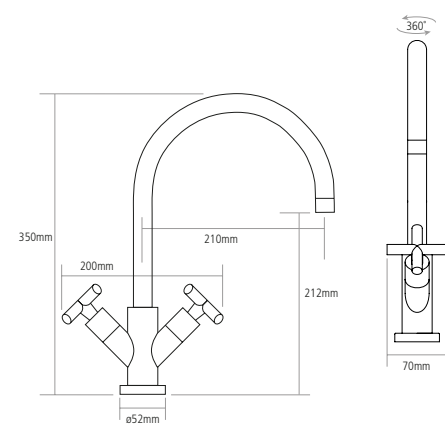
- Monobloc design
- Minimum 0.3 bar pressure required
- Quarter turn ceramic valve
- Single flow

OPTIONAL EXTRAS

- ECO/AERATOR2 Aerator
- Available to buy online caple.co.uk

DIMENSIONS

- Worktop cut out 35mm required



LAMAR

LAM3/SS - Stainless Steel



GENERAL FEATURES

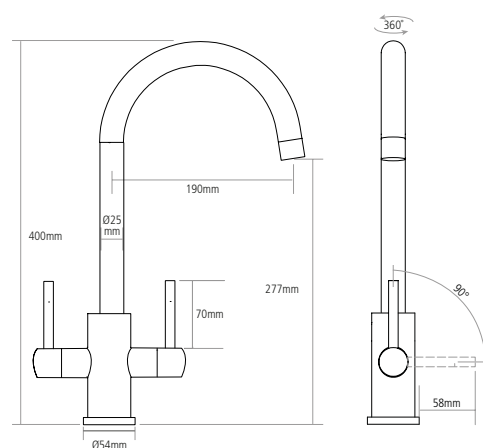
- Monobloc design
- Made from solid Stainless Steel
- Minimum 0.5 bar pressure required
- Quarter turn ceramic valves
- Single flow

OPTIONAL EXTRAS

- ECO/AERATOR1 Aerator
- Available to buy online caple.co.uk

DIMENSIONS

- Worktop cut out 35mm required



LAMAR

LAM/BCH - Black Chrome



GENERAL FEATURES

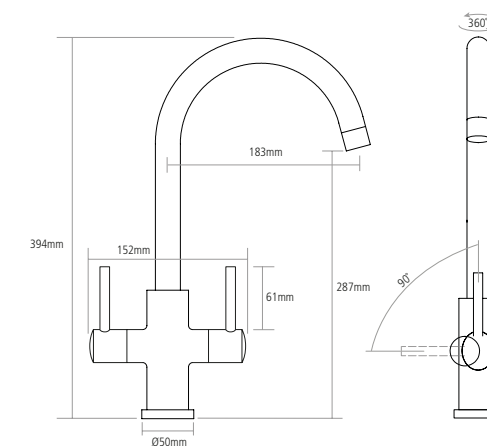
- Monobloc design
- Minimum 0.3 bar pressure required
- Quarter turn ceramic valves
- Single flow

OPTIONAL EXTRAS

- ECO/AERATOR1 Aerator
- Available to buy online caple.co.uk

DIMENSIONS

- Worktop cut out 35mm required



LAM/CH - Polished Chrome LAM/BC - Blackened Copper



GENERAL FEATURES

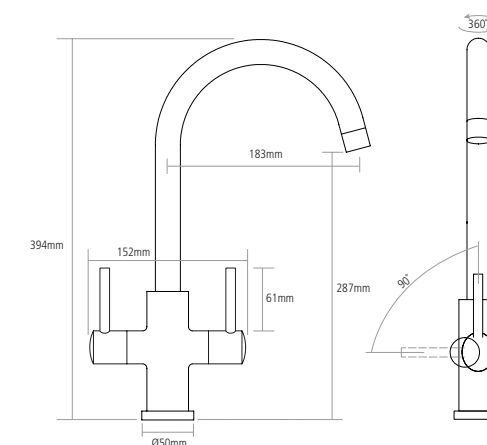
- Monobloc design
- Minimum 0.3 bar pressure required
- Quarter turn ceramic valves
- Single flow
- WRAS approved

OPTIONAL EXTRAS

- ECO/AERATOR1 Aerator
- Available to buy online caple.co.uk

DIMENSIONS

- Worktop cut out 35mm required





ROBO

ROB3/SS - Stainless Steel



- GENERAL FEATURES**
- Monobloc design
 - Minimum 0.5 bar pressure required
 - Quarter turn ceramic valves
 - Single flow

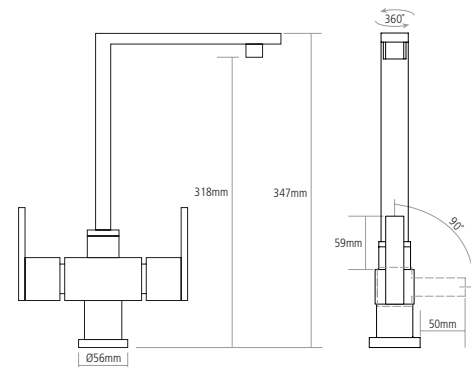
OPTIONAL EXTRAS

- ECO/AERATOR1 Aerator

Available to buy online caple.co.uk

DIMENSIONS

- Worktop cut out 35mm required



ZUBEN QUAD

ZUBQ4/CH - Polished Chrome



- GENERAL FEATURES**
- Monobloc design
 - Minimum 0.3 bar pressure required
 - Quarter turn ceramic valves
 - Single flow
 - WRAS approved

The ZUBQ4/CH has been designed to you conform to Water efficiency requirements, it has a flow rate of less than 4 litres per minute at 3 bar

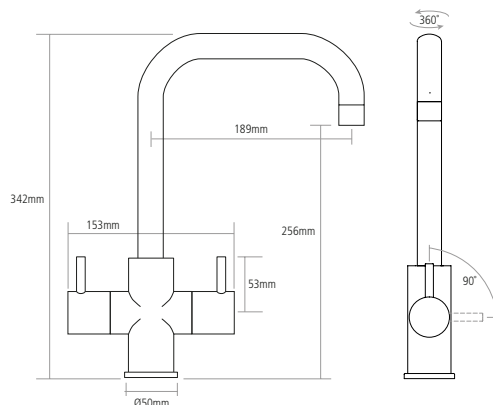
OPTIONAL EXTRAS

- ECO/AERATOR1 Aerator

Available to buy online caple.co.uk

DIMENSIONS

- Worktop cut out 35mm required



SHAFTSBURY



S/CRU5/CH - Polished Chrome **S/CRU5/PTR** - Pewter **S/CRU5/AB** - Antique Brass

- GENERAL FEATURES**
- Monobloc design
 - Minimum 0.3 bar pressure required
 - Quarter turn ceramic valves
 - Single flow
 - WRAS approved

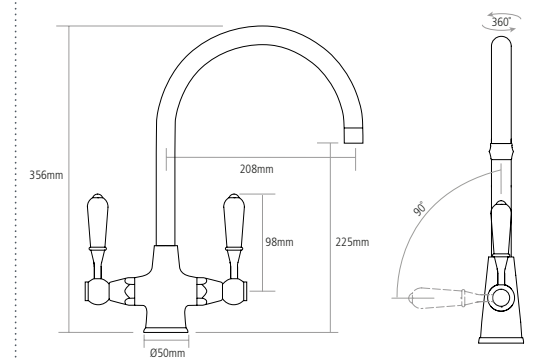
OPTIONAL EXTRAS

- ECO/AERATOR2 Aerator

Available to buy online caple.co.uk

DIMENSIONS

- Worktop cut out 35mm required





WASHINGTON



WAS4/BN - Brushed Nickel WAS4/CH - Polished Chrome

GENERAL FEATURES

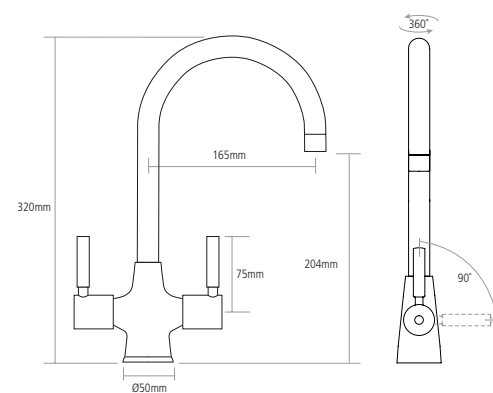
- Monobloc design
- Minimum 0.3 bar pressure required
- Quarter turn ceramic valves
- Single flow
- WRAS approved

OPTIONAL EXTRAS

- ECO/AERATOR2 Aerator
- Available to buy online caple.co.uk

DIMENSIONS

- Worktop cut out 35mm required





Caple Care.

For peace of mind, we provide the following guarantees on our sinks, taps and waste disposers.



SINKS

Free lifetime guarantee on all Caple sinks

TAPS

- 5 year guarantee on coatings and finishes
- 5 year guarantee on moving parts and valves
- 5 year guarantee on Stainless Steel finish

BOILERS FOR STEAMING HOT WATER TAPS

2 year guarantee

WASTE DISPOSERS

- 2 year guarantee on WDU050, WDU060 & WDU080
- 3 year guarantee on WDU125

AFTER-SALES CUSTOMER SUPPORT

Year 1-5 Caple – telephone 0117 938 7420

Calls are charged at the local rate – please check with your provider for actual charges. Subject to terms and conditions.

Issue: CST0125

Every effort has been made to reproduce colours and materials accurately, however due to the photography and print processes, colour variations may occur.

Due to our continued product development policy, we reserve the right to modify product specifications and/or dimensions without notice.

Please contact your retailer, call Caple direct on 0117 938 1900, email info@caple.co.uk, or visit our website at www.caple.co.uk for further product information.

E & O E